

Detecting a subclass of torsion-generated groups

EMILY STARK

We classify the groups quasi-isometric to a group generated by finite-order elements within the class of one-ended hyperbolic groups which are not Fuchsian and whose JSJ decomposition over two-ended subgroups does not contain rigid vertex groups. To do this, we characterize which JSJ trees of a group in this class admit a cocompact group action with quotient a tree. The conditions are stated in terms of two graphs we associate to the degree refinement of a group in this class. We prove there is a group in this class which is quasi-isometric to a Coxeter group but is not abstractly commensurable to a group generated by finite-order elements. Consequently, the subclass of groups in this class generated by finite-order elements is not quasi-isometrically rigid. We provide necessary conditions for two groups in this class to be abstractly commensurable. We use these conditions to prove there are infinitely many abstract commensurability classes within each quasi-isometry class of this class that contains a group generated by finite-order elements.

20F65; 20E08, 20F55, 57M07, 57M20

1 Introduction

The large-scale geometry type of a finitely generated group does not depend on whether the group contains elements of finite order; every finitely generated group is quasi-isometric to a group that contains torsion. However, quasi-isometry classes that contain groups generated by finite-order elements are distinguishable. Torsion-generated groups, such as Coxeter groups, play an important role in geometric group theory. Background is given by Davis [18]. An interesting problem is to determine which finitely generated groups are quasi-isometric to a group generated by finite-order elements. In this paper, we solve this problem within a certain class of hyperbolic groups.

A natural approach to this problem begins by decomposing the group using a graph of groups decomposition. Dunwoody [20] proved every finitely presented group admits a maximal splitting as a graph of groups with finite edge groups, and Papasoglu and Whyte [30] proved for an infinite-ended finitely presented group, the set of quasi-isometry classes of the one-ended vertex groups in this graph of groups decomposition is a complete quasi-isometry invariant. Therefore, an infinite-ended finitely presented

group is quasi-isometric to a group generated by finite-order elements if and only if each of the one-ended vertex groups in this graph of groups decomposition is quasi-isometric to a group generated by finite-order elements. Thus, for finitely presented groups, the problem reduces to the case the group is one-ended.

Rips and Sela [32] proved if G is a one-ended finitely presented group that is not Fuchsian, then there is a canonical graph of groups decomposition of G , called the *JSJ decomposition of G* , with edge groups that are 2-ended and vertex groups of three types: 2-ended, *maximally hanging Fuchsian* (MHF), and quasiconvex *rigid* vertex groups not of the first two types. In this paper, we follow the language and structure of the JSJ decomposition due to Bowditch [5] for one-ended hyperbolic groups that are not Fuchsian. We characterize the groups quasi-isometric to a group generated by finite-order elements within the class \mathcal{C} of 1-ended hyperbolic groups that are not Fuchsian and whose JSJ decomposition does not contain rigid vertex groups.

The isomorphism type of the Bass–Serre tree of the JSJ decomposition of a group in \mathcal{C} is a complete quasi-isometry invariant, as shown by Malone [29] for a subclass of groups in \mathcal{C} called geometric amalgams of free groups and by Cashen and Martin [9] in the general setting; see also related work of Dani and Thomas [17]. Furthermore, there is a one-to-one correspondence between isomorphism types of JSJ trees of groups in \mathcal{C} and (equivalence classes of) certain finite matrices, called *degree refinements*, which are algorithmically computed from the JSJ decomposition.

A group generated by finite-order elements does not surject onto \mathbb{Z} . Consequently, if a group $G \in \mathcal{C}$ is generated by finite-order elements, then the underlying graph of the JSJ decomposition of G is a tree; we call this graph the *JSJ graph of G* . Conversely, Dani, Stark and Thomas [15, Theorem 1.16] proved if a quasi-isometry class in \mathcal{C} contains a group whose JSJ graph is a tree, then the quasi-isometry class contains a right-angled Coxeter group. Therefore, classifying the quasi-isometry classes within \mathcal{C} which contain a group generated by finite-order elements is equivalent to classifying the JSJ trees of a group in \mathcal{C} which admit a cocompact group action with quotient a tree. To accomplish this, we introduce two graphs associated to the degree refinement of a group $G \in \mathcal{C}$: the *graph of blocks* of G and the *augmented graph of blocks* of G . The graph of blocks of G has vertex set in one-to-one correspondence with orbits of vertices in the JSJ tree of G under the action of the full isometry group of the tree. The augmented graph of blocks of G is the graph with fewest vertices and degree refinement equivalent to the degree refinement of G . See Section 3 for more details. The first main result of the paper is the following:

Theorem 1.1 *Let $G \in \mathcal{C}$. The following are equivalent:*

- (1) *The group G is quasi-isometric to a right-angled Coxeter group.*
- (2) *The group G is quasi-isometric to a group generated by finite-order elements.*
- (3) *The group G is quasi-isometric to a group with JSJ graph a tree.*
- (4) *The degree refinement of G satisfies the two conditions:*
 - (M1) *The graph of blocks of G is a tree.*
 - (M2) *The augmented graph of blocks of G has no 2-cycles at even distance bounded by Type I vertices.*

The equivalence of conditions (1)–(3) was established in [15]; see Section 4.3. We prove here that (1)–(3) are equivalent to (4), a pair of conditions defined in Section 3 that can be easily verified. Thus, from the underlying graph of the JSJ decomposition of a group in \mathcal{C} , one may determine whether conditions (1)–(3) hold. The graphs in condition (4) are quasi-isometry invariants (Corollary 3.8), and we prove conditions (M1) and (M2) hold for a group in \mathcal{C} with JSJ graph a tree. Conversely, if conditions (M1) and (M2) hold, we perform a finite series of moves on the augmented graph of blocks of the group to obtain a finite tree with an equivalent degree refinement.

Two groups are *abstractly commensurable* if the groups contain finite-index subgroups that are isomorphic; two finitely generated groups that are abstractly commensurable are quasi-isometric. Hence, the result in Theorem 1.1 gives a partial answer to [15, Question 1.3], which asks which geometric amalgams of free groups are abstractly commensurable to a right-angled Coxeter group. However, the next result proves the set of groups quasi-isometric to right-angled Coxeter groups in \mathcal{C} is strictly larger than the set of groups abstractly commensurable to a right-angled Coxeter group in \mathcal{C} .

Theorem 1.2 *There exists $G \in \mathcal{C}$ for which the following holds:*

- (1) *The group G is quasi-isometric to a right-angled Coxeter group.*
- (2) *The group G is not abstractly commensurable to any group with JSJ graph a tree. In particular, G is not abstractly commensurable to any group generated by finite-order elements.*

To prove Theorem 1.2, we construct G in Construction 5.7 as the fundamental group of a union of surfaces with boundary glued together along their boundary components. While the JSJ tree of $G \cong \pi_1(X)$ has a finite quotient which is a tree, there is an asymmetry in the Euler characteristics of certain subsurfaces in the space X that yields the commensurability result.

A class of groups \mathcal{G} is *quasi-isometrically rigid* if every group quasi-isometric to a group in \mathcal{G} is abstractly commensurable to a group in \mathcal{G} . (A slightly different notion of quasi-isometric rigidity requires every group quasi-isometric to a group in \mathcal{G} to be *virtually isomorphic* to a group in \mathcal{G} . These notions are equivalent within \mathcal{C} as groups in \mathcal{C} are virtually torsion-free; see Haïssinsky, Paoluzzi and Walsh [22, Observation 3.1] and the book by Druţu and Kapovich [19] for background.) The class of Coxeter groups is not quasi-isometrically rigid. For example, Burger and Mozes [7] provided examples of (nonhyperbolic) infinite simple groups which act geometrically on the product of two finite-valence trees. Such groups have no finite-index subgroups, yet these groups are quasi-isometric to the direct product of two free groups of rank greater than one, and, hence, are quasi-isometric to a right-angled Coxeter group with defining graph a complete bipartite graph with vertex sets of size greater than two. The class of groups \mathcal{C} is quasi-isometrically rigid by the construction of the JSJ decomposition given by Bowditch [5]; see [22, Observation 3.1] for a related result. Theorem 1.2 proves the set of right-angled Coxeter groups within the class \mathcal{C} is not quasi-isometrically rigid, and we also have the following corollary:

Corollary 1.3 *The subclass of groups in \mathcal{C} which have JSJ graph a tree is not quasi-isometrically rigid. The subclass of groups in \mathcal{C} which are generated by finite-order elements is not quasi-isometrically rigid.*

There are classes of right-angled Coxeter groups which are quasi-isometrically rigid; simple examples include virtually free right-angled Coxeter groups and right-angled Coxeter groups which act properly and cocompactly by isometries on the hyperbolic plane; see Casson and Jungreis [10], Gabai [21] and Tukia [35]. Determining the classes of right-angled Coxeter groups which are quasi-isometrically rigid is an interesting problem. A natural focus is classes for which quasi-isometry invariants or classification is known; see Behrstock, Hagen and Sisto [3; 2], Caprace [8], Charney and Sultan [12], Dani and Thomas [16], Haulmark, Nguyen and Tran [23] and Levcovitz [28; 27].

The abstract commensurability classification within \mathcal{C} remains open. This classification may be an important step in resolving [15, Question 1.3]. Partial results are given by Crisp and Paoluzzi [13], Malone [29], the author [34] and Dani, Stark and Thomas [15]. These known results impose strong conditions on the subclass of groups considered: for example, they require the diameter of the JSJ graph to be at most 4. In Propositions 6.3 and 6.8 we prove two necessary conditions for commensurability for any geometric amalgam of free groups in \mathcal{C} with JSJ graph a tree. The commensurability invariants are the

commensurability classes of two vectors whose entries record the sum of the Euler characteristics of certain vertex groups. As a consequence, we prove the following theorem:

Theorem 1.4 *There are infinitely many abstract commensurability classes within every quasi-isometry class in \mathcal{C} that contains a group generated by finite-order elements.*

The conclusion of Theorem 1.4 is not surprising based on the previous results on commensurability for groups in \mathcal{C} . The novelty of the result comes from removing the hypothesis that the JSJ graphs have small diameter. Moreover, previous results strongly use a topological rigidity theorem of Lafont [25], which applies only to geometric amalgams of free groups in \mathcal{C} . The result in Proposition 6.3 does not require this hypothesis.

The main questions addressed in this paper, whether a given group is quasi-isometric or abstractly commensurable to a right-angled Coxeter group (or, more generally, a group generated by finite-order elements), may be viewed as coarse versions of the problem of determining whether a given group is a right-angled Coxeter group (or a group generated by finite-order elements); see, for example, Charney, Ruane, Stambaugh and Vijayan [11] and Cunningham, Eisenberg, Piggott and Ruane [14].

Outline

Preliminaries are given in Section 2. The degree refinement of a group in \mathcal{C} and related graphs are defined in Section 3. Theorem 1.1 is proven in Section 4. Section 5 contains the proof of Theorem 1.2. Section 6 contains the proof of necessary conditions for commensurability. Theorem 1.4 is proven in Section 7.

Acknowledgements

The author is thankful for helpful discussions with Pallavi Dani, Misha Kapovich, Michah Sageev, Anne Thomas and Genevieve Walsh. The author is grateful to the anonymous referee for thoughtful comments and corrections.

The author is thankful for support from the Azrieli Foundation. The author was partially supported at the Technion by a Zuckermann STEM Leadership Postdoctoral Fellowship.

2 Preliminaries

2.1 Graph theory

In this section, we record relevant graph-theoretic terminology and establish notation. Most graphs we consider are unoriented, and we view these graphs as CW-complexes.

Let $\Lambda = (V(\Lambda), E(\Lambda))$ be a graph, where $V(\Lambda)$ is the vertex set of Λ and $E(\Lambda)$ is the edge set of Λ . If $e = (u, v) \in E(\Lambda)$, we say e is *incident* to the vertices u and v , and we say u and v are *adjacent* vertices. The *valence* of a vertex u is the number of edges incident to u . A graph is *bipartite* if $V(\Lambda)$ is the disjoint union of two nonempty subsets $V(\Lambda) = V_1 \sqcup V_2$ such that every edge of Λ is incident to exactly one element of V_1 and exactly one element of V_2 . A *tree* is a connected graph that does not contain an embedded cycle. An *oriented graph* Λ consists of a vertex set $V(\Lambda)$, an edge set $E(\Lambda)$ and maps $i: E(\Lambda) \rightarrow V(\Lambda)$ and $t: E(\Lambda) \rightarrow V(\Lambda)$ such that $e = (i(e), t(e))$ for each edge $e \in E(\Lambda)$; we refer to $i(e)$ as the *initial vertex* of e and $t(e)$ as the *terminal vertex* of e . If $S \subset V(\Lambda)$, the subgraph of Λ *induced* by the vertices in S is the subgraph whose vertex set is S and whose edge set consists of all edges in $E(\Lambda)$ that have both endpoints in S .

2.2 JSJ decomposition and the class of groups considered

Definition 2.1 A *graph of groups* \mathcal{G} is a graph $\Lambda = (V(\Lambda), E(\Lambda))$ with a *vertex group* G_v for each $v \in V(\Lambda)$, an *edge group* G_e for each $e \in E(\Lambda)$, and *edge maps*, which are injective homomorphisms $\Theta_e^\pm: G_e \rightarrow G_{\pm e}$ for each $e = (-e, +e) \in E(\Lambda)$. The graph Λ is called the *underlying graph* of \mathcal{G} .

A *graph of spaces* associated to a graph of groups \mathcal{G} is a space X with a graph Λ constructed from a pointed *vertex space* (X_v, x_v) for each $v \in V(\Lambda)$ with $\pi_1(X_v, x_v) = G_v$, a pointed *edge space* (X_e, x_e) for each $e \in E(\Lambda)$ such that $\pi_1(X_e, x_e) = G_e$, and maps $\theta_e^\pm: (X_e, x_e) \rightarrow (X_{\pm e}, x_{\pm e})$ such that $(\theta_e^\pm)_* = \Theta_e^\pm$. The space X is the union

$$\left(\bigsqcup_{v \in V(\Lambda)} X_v \bigsqcup_{e \in E(\Lambda)} (X_e \times [-1, 1]) \right) / \{(x, \pm 1) \sim \theta_e^\pm(x) \mid (x, \pm 1) \in X_e \times [-1, 1]\}.$$

The *fundamental group* of the graph of groups \mathcal{G} is $\pi_1(X)$. A group G *splits as graph of groups* if G is the fundamental group of a nontrivial graph of groups.

Definition 2.2 A *Fuchsian group* is a nonelementary finitely generated group which acts properly discontinuously on the hyperbolic plane \mathbb{H}^2 .

Remark 2.3 The action of a Fuchsian group G on the hyperbolic plane need not be faithful, but the kernel of the action is finite. This kernel is the unique maximal finite normal subgroup of G . Thus, the quotient $X = \mathbb{H}^2/G$ is a canonically defined (*ineffective*) orbifold. In particular, X admits a decomposition as a finite cell complex

such that each cell σ of X is equipped with a finite isotropy group K_σ which is isomorphic to the stabilizer of each lift of σ in \mathbb{H}^2 .

Definition 2.4 Let G be a Fuchsian group so that $G \cong \pi_1^{\text{orb}}(X)$, where $X = \mathbb{H}^2/G$ is an (ineffective) orbifold. Realize X with a cell decomposition such that each cell σ of X has a well-defined isotropy subgroup K_σ . The Euler characteristic of G , denoted by $\chi(G)$, is

$$\chi(G) = \chi(X) = \sum_{\sigma \text{ cell in } X} (-1)^{\dim(\sigma)} \frac{1}{|K_\sigma|}.$$

Lemma 2.5 Let G and H be Fuchsian groups. If H is an index- d subgroup of G , then $d \cdot \chi(G) = \chi(H)$.

For background on orbifolds, see Kapovich [24] and Ratcliffe [31]. The proof of Lemma 2.5 is also given by the more general theory presented by Brown [6, Chapter IX-7].

Definition 2.6 A bounded Fuchsian group is a Fuchsian group that is convex co-compact but not cocompact. The convex core of the quotient is a compact orbifold with nonempty boundary consisting of a disjoint union of compact 1-orbifolds. The peripheral subgroups are the maximal two-ended subgroups which project to the fundamental groups of the boundary 1-orbifolds. A hanging Fuchsian subgroup H is a virtually free quasiconvex subgroup together with a collection of peripheral two-ended subgroups, which arise from an isomorphism of H with a bounded Fuchsian group. A full quasiconvex subgroup of a group G is a subgroup that is not a finite-index subgroup of any strictly larger subgroup of G .

Theorem 2.7 [5, Theorem 0.1] Let G be a one-ended hyperbolic group that is not Fuchsian. There is a canonical JSJ decomposition of G as the fundamental group of a graph of groups such that each edge group is 2-ended and each vertex group is either (1) 2-ended, (2) maximal hanging Fuchsian, or (3) a maximal quasiconvex subgroup not of type (2). These types are mutually exclusive, and no two vertices of the same type are adjacent. Every vertex group is a full quasiconvex subgroup. Moreover, the edge groups that connect to any given vertex group of type (2) are precisely the peripheral subgroups of that group.

Definition 2.8 Let G be a one-ended hyperbolic group that is not Fuchsian. The JSJ tree of G is the Bass–Serre tree of the JSJ decomposition of G . The JSJ graph of G is the underlying graph of the JSJ decomposition of G .

Definition 2.9 (class of groups considered) Let \mathcal{C} denote the class of one-ended hyperbolic groups which are not Fuchsian and for which the JSJ decomposition has no vertex groups of type (3).

Remark 2.10 If $G \in \mathcal{C}$, then the JSJ graph of G is bipartite.

2.3 Hyperbolic P -manifolds

We make use of the following subclass of groups in \mathcal{C} . An example of a space defined below is given in Figure 3.

Definition 2.11 A 2-dimensional hyperbolic P -manifold X is a space with a graph of spaces decomposition over a finite oriented graph Λ with the following properties:

- (1) The underlying graph Λ is bipartite with vertex set $V(\Lambda) = V_1 \sqcup V_2$ and edge set $E(\Lambda)$ such that each edge $e \in E(\Lambda)$ has $i(e) \in V_1$ and $t(e) \in V_2$.
- (2) For each $u \in V_1$, the vertex space X_u is a copy of the circle S^1 , and x_u is a point on X_u . For each $v \in V_2$, the vertex space X_v is a connected surface with negative Euler characteristic and nonempty boundary, and x_v is a point on X_v .
- (3) For each edge $e \in E(\Lambda)$, the edge space X_e is a copy of the circle S^1 , and x_e is a point on X_e . If $e = (-e, +e)$ with $-e = i(e)$ and $+e = t(e)$, the map $\theta_e^-: (X_e, x_e) \rightarrow (X_{i(e)}, x_{i(e)})$ is a homeomorphism, and the map $\theta_e^+: (X_e, x_e) \rightarrow (X_{t(e)}, x_{t(e)})$ is a homeomorphism onto a boundary component of $X_{t(e)}$.
- (4) Each vertex $u \in V_1$ has valence at least three. Given any vertex $v \in V_2$, for each boundary component B of X_v , there exists an edge e with $t(e) = v$ such that the associated edge map identifies X_e with B . The valence of v is the number of boundary components of X_v .

The fundamental group of a 2-dimensional hyperbolic P -manifold is a *geometric amalgam of free groups* and is a group in the class \mathcal{C} . If X is a 2-dimensional hyperbolic P -manifold, a *connected subsurface in X* is the union of a surface X_v with $v \in V_2$ together with $\{X_e \times [-1, 1] \mid e \text{ is incident to } v\}$, a set of annuli. (This subsurface is homeomorphic to X_v and its boundary components are *branching curves* on X .) A *subsurface in X* is a nonempty finite union of connected subsurfaces in X .

Remark 2.12 If $X = X(\Lambda)$ is a 2-dimensional hyperbolic P -manifold, then the JSJ graph of the geometric amalgam of free groups $\pi_1(X)$ is the (unoriented) bipartite graph Λ . For details, see [29, Section 4.1].

Remark 2.13 “ P -manifold” is short for “piecewise-manifold”. Lafont [25] refers to 2-dimensional hyperbolic P -manifolds as *simple, thick, 2-dimensional hyperbolic P -manifolds*; we omit the extra adjectives for ease of exposition. In [15], these spaces are referred to as *surface amalgams*.

3 Degree refinement and related graphs

Angluin [1, Section 6] proved two finite graphs have isomorphic universal covers if and only if the graphs have equivalent degree refinements, which is a matrix defined below; see also Leighton [26]. Malone [29] extended this work by defining the degree refinement for a group $G \in \mathcal{C}$ and proving this matrix encodes the isomorphism type of the JSJ tree of G . Examples of the definitions given in this section appear in Figure 1.

Definition 3.1 The *degree partition* of a graph Λ is a partition of the vertices of Λ into the minimum number of blocks M_1, \dots, M_n such that there exist constants m_{ij} such that for each i and j with $1 \leq i \leq n$ and $1 \leq j \leq n$, each vertex in M_i is connected via m_{ij} edges to M_j . The *degree refinement* of Λ is the $n \times n$ matrix $M = (m_{ij})$.

Definition 3.2 Two degree refinements M and M' are *equivalent* if they have the same size and there exists a permutation matrix P such that $M' = PMPT$.

The permutation matrix in the above definition accounts for possibly relabeling the blocks of the degree partition. There is a correspondence between isomorphism types of trees and equivalence classes of matrices given as follows.

Theorem 3.3 [26, Section 2; 29, Theorem 2.32] *To each matrix M with entries in $\mathbb{N} \cup \{\infty\}$ there is a unique tree T up to graph isomorphism such that M is the degree refinement of T . Conversely, to each tree T there is a unique matrix M with entries in $\mathbb{N} \cup \{\infty\}$ up to the equivalence defined in Definition 3.2 such that M is the degree refinement of T .*

Definition 3.4 If $G \in \mathcal{C}$, then the *degree refinement of G* is the degree refinement of the JSJ tree of G . Alternatively, the degree refinement of G can be constructed from the JSJ graph for G as follows, which was shown by Malone [29, Section 2.5], extending [26, Section 2].

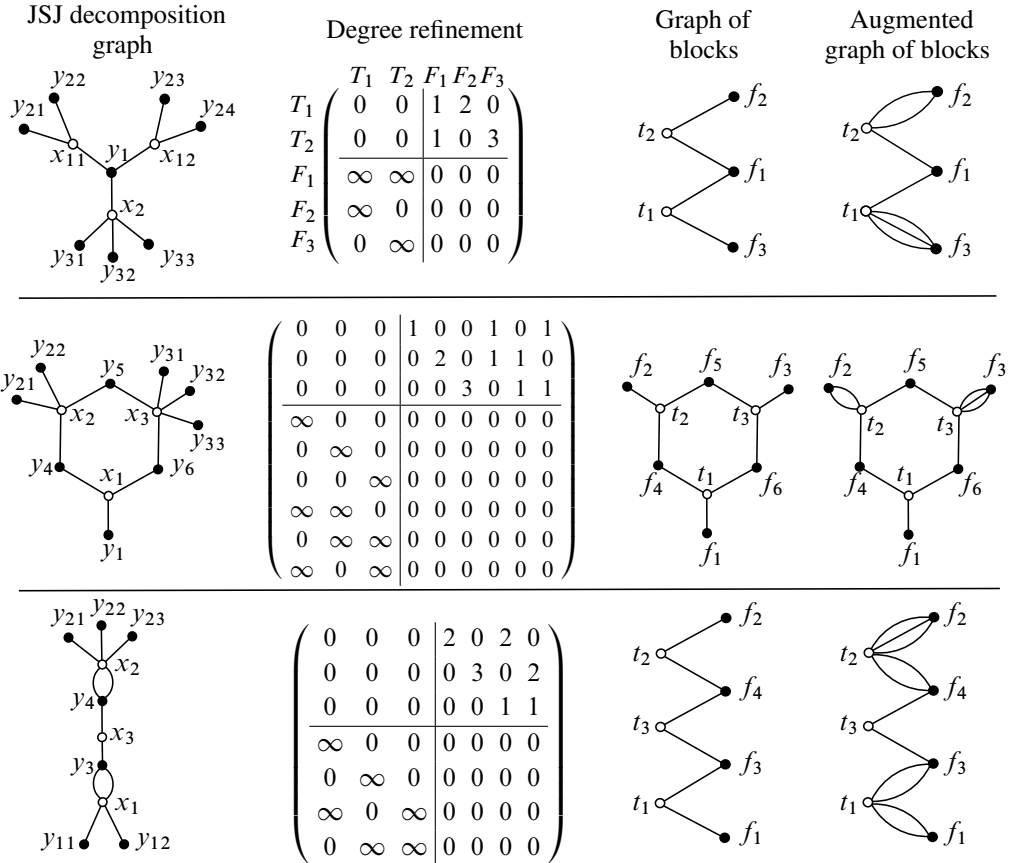


Figure 1: Three examples. White vertices correspond to 2-ended vertex groups, and black vertices correspond to maximal hanging Fuchsian vertex groups. Vertices x_i and x_{ij} are in degree partition block T_i , and vertices y_i and y_{ij} are in degree partition block F_i . In each matrix the rows and columns corresponding to the T_i come first, then those for the F_i . Any group in \mathcal{C} with a JSJ decomposition graph of the lower two types is not quasi-isometric to any group generated by finite-order elements.

Suppose G has JSJ graph Λ with vertex set $V_1 \sqcup V_2$ where each vertex group G_u for $u \in V_1$ is two-ended, and each vertex group G_v for $v \in V_2$ is maximal hanging Fuchsian.

Let $r \in V(\Lambda)$. The *augmented valence* of r is the valence of any lift of r in the JSJ tree. More specifically, suppose $s \in V(\Lambda)$. Let $\iota(r, s) = \infty$ if $r \in V_2$ and r is adjacent to s . Let $\iota(r, s) = k$ if $r \in V_1$ and r is adjacent to s via k edges. Let $\iota(r, s) = 0$ otherwise. The augmented valence of the vertex r is equal to $\sum_{s \in V(\Lambda)} \iota(r, s)$.

Perform the following steps to compute the degree refinement:

Step 1 Partition the vertices of $V(\Lambda)$ into blocks according to their augmented valence.

Step 2 Refine the partition so that two vertices r and r' remain in the same block M_i if and only if $\sum_{s \in M_j} \iota(r, s) = \sum_{s \in M_j} \iota(r', s)$ for all $j \neq i$.

Step 3 Repeat Step 2 recursively until no further partitioning is possible to obtain the *degree partition of Λ* .

The degree refinement is the matrix $M = (m_{ij})$ where $m_{ij} = \iota(r_i, r_j)$ for $r_i \in M_i$ and $r_j \in M_j$. The process is finite since $V(\Lambda)$ is finite.

Malone [29] proved the following theorem for geometric amalgams of free groups using techniques of Behrstock and Neumann [4]. Cashen and Martin [9] proved the remaining cases.

Theorem 3.5 [29, Theorem 4.14; 9, Theorem 4.9] *Let $G, G' \in \mathcal{C}$. The groups G and G' are quasi-isometric if and only if the degree refinement of G is equivalent to the degree refinement of G' .*

Bipartite graphs considered in this paper arise as a JSJ graph of a group in \mathcal{C} , which leads to the following definition of the degree refinement for a bipartite graph. We caution the reader that this is not the same as the usual notion of degree refinement for the graph (without a specified bipartite structure).

Definition 3.6 If Λ is a bipartite graph with $V(\Lambda) = V_1 \sqcup V_2$, define the *degree refinement of Λ* to be the degree refinement of a group with JSJ graph Λ as defined in Definition 3.4. Similarly, define the *degree partition of Λ* to be the degree partition of a group with JSJ graph Λ as defined in Definition 3.4.

Suppose in the degree partition of Λ , the vertices in V_1 are contained in blocks T_1, \dots, T_n and the vertices in V_2 are in blocks F_1, \dots, F_m . (We use “ T ” for two-ended and “ F ” for hanging Fuchsian.) Let M be the degree refinement defined above. Let n_{ij} be the entry in the degree refinement corresponding to the blocks T_i and F_j . The *graph of blocks of M* , denoted by Γ_B , has vertex set $\{t_1, \dots, t_n, f_1, \dots, f_m\}$ and an edge $\{t_i, f_j\}$ if and only if $n_{ij} > 0$. The *augmented graph of blocks of M* , denoted by Γ_0 , has vertex set $\{t_1, \dots, t_n, f_1, \dots, f_m\}$ and n_{ij} edges from t_i to n_j for $1 \leq i \leq n$ and $1 \leq j \leq m$.

If $G \in \mathcal{C}$ with JSJ graph Λ as above, then the *graph of blocks of G* is the graph of blocks of the degree refinement of G ; the *augmented graph of blocks of G* is the augmented graph of blocks of the degree refinement of G . Similarly, if Λ is a bipartite graph, then the *graph of blocks of Λ* is the graph of blocks of any group $G \in \mathcal{C}$ with JSJ graph Λ ; the *augmented graph of blocks of Λ* is the augmented graph of blocks of G .

Remark 3.7 The bipartite graph Γ_0 defined in Definition 3.6 has degree refinement M .

The next corollary follows from Theorem 3.5.

Corollary 3.8 *Let $G, G' \in \mathcal{C}$, let Γ_B and Γ'_B denote the graphs of blocks for G and G' , respectively, and let Γ_0 and Γ'_0 denote the augmented graphs of blocks of G and G' , respectively. If G and G' are quasi-isometric, then $\Gamma_B \cong \Gamma'_B$ and $\Gamma_0 \cong \Gamma'_0$.*

4 Characterization up to quasi-isometry

4.1 Obstructions

In this section, we prove that conditions (1)–(3) of Theorem 1.1 imply condition (4). The first lemma generalizes [15, Example 8.1]. An example of a group that does not satisfy the hypothesis of Lemma 4.1 is given in the middle example in Figure 1; an example of a group which does not satisfy the hypothesis of Lemma 4.3 is given in the bottom example in Figure 1.

Lemma 4.1 *Suppose $G \in \mathcal{C}$ has JSJ graph a tree T . Then the graph of blocks of G is a tree.*

Proof Suppose $G \in \mathcal{C}$ has JSJ graph a tree T , and let Γ_B be the graph of blocks of G . Suppose towards a contradiction that Γ_B is not a tree. Then Γ_B contains an embedded cycle γ . Without loss of generality, suppose the vertices in the cycle γ are labeled $\{t_1, f_1, t_2, \dots, t_k, f_k\}$ with t_i adjacent to f_i and f_{i-1} , with indices taken mod k , and likewise for f_i . Let $T_1, \dots, T_k, F_1, \dots, F_k$ be the corresponding blocks in the degree partition of T . Consider the subgraph of T induced by the vertices in $\bigcup_{i=1}^k T_i \cup F_i$. Choose a connected component C of the subgraph; then C must be a finite tree. However, each vertex in C has valence at least two. That is, if $v_i \in F_i$, then v_i is adjacent to some vertices $u_i \in T_i$ and $u_{i+1} \in T_{i+1}$, with indices taken mod k . Since the cycle γ is embedded, $T_i \cap T_{i+1} = \emptyset$; so, $u_i \neq u_{i+1}$. Similarly, if $v_i \in T_i$, v_i has valence at least two, a contradiction. \square

Definition 4.2 Let $G \in \mathcal{C}$ with degree refinement and related graphs as defined in Definition 3.4. We say *the augmented graph of blocks of G has no 2-cycles at even distance bounded by Type I vertices* if for any embedded path $t_1, f_1, t_2, \dots, f_{k-1}, t_k$ in Γ_0 with $t_i \in V_1$ and $f_j \in V_2$, if $n_{11} > 1$, then $n_{ij} > 1$ only if $i = j$.

Lemma 4.3 Suppose $G \in \mathcal{C}$ has JSJ graph a tree. Then the augmented graph of blocks of G has no 2-cycles at even distance bounded by Type I vertices.

Proof Suppose $G \in \mathcal{C}$ has JSJ graph a tree. By Lemma 4.1, the graph of blocks of G is a tree. Thus, in the notation of Definition 4.2, $n_{ij} \geq 1$ only if $i = j$ or $i = j + 1$. Suppose towards a contradiction that $n_{\ell, \ell-1} > 1$ for some ℓ with $1 \leq \ell \leq k$. Let $T_1, \dots, T_\ell \subset V_1$ and $F_1, \dots, F_{\ell-1} \subset V_2$ be the corresponding blocks in the degree partition of T . Consider the subgraph of T induced by the vertices in $(\bigcup_{i=1}^{\ell} T_i) \cup (\bigcup_{i=1}^{\ell-1} F_i)$. Choose a connected component C of this subgraph; then C must be a finite tree. However, each vertex in C has valence at least two. That is, for $v_i \in F_i$, $1 \leq i \leq \ell - 1$, v_i is adjacent to some vertices $u_i \in T_i$ and $u_{i+1} \in T_{i+1}$ with $u_i \neq u_{i+1}$ since $T_i \cap T_{i+1} = \emptyset$. Likewise, $v_i \in T_i$ has valence two for $2 \leq i \leq \ell - 1$. Since $n_{11}, n_{\ell, \ell-1} > 1$, if $v_i \in T_i$ for $i = 1, \ell$, then v_i has valence at least two. Thus, each vertex of C has valence at least two, a contradiction since C is a finite tree. \square

Remark 4.4 In the notation of Definition 4.2, a group in \mathcal{C} may have 2-cycles at even distance bounded by Type II vertices. An example is given in the top of Figure 1.

4.2 Construction

Outline 4.5 Let M be a degree refinement of a group in \mathcal{C} that satisfies conditions (M1) and (M2) of Theorem 1.1. Let Γ_B be the graph of blocks of M , and let Γ_0 be the augmented graph of blocks of M . We will describe a finite process to construct a finite bipartite tree with degree refinement M (as in Definition 3.6). The bipartite graph Γ_0 has degree refinement M , but, in general, Γ_0 is not a tree. We will perform a finite series of moves on Γ_0 to produce a finite tree. The moves on the graph Γ_0 recursively unwrap the cycles of length two in Γ_0 so that each move preserves the degree refinement.

An image of the following definition appears in Figure 2.

Definition 4.6 (split an MHF vertex) Let Λ be a bipartite graph with $V(\Lambda) = V_1 \sqcup V_2$ as defined in Definition 3.6. Let $t \in V_1$ and $f \in V_2$, and suppose Λ has $r > 0$ edges

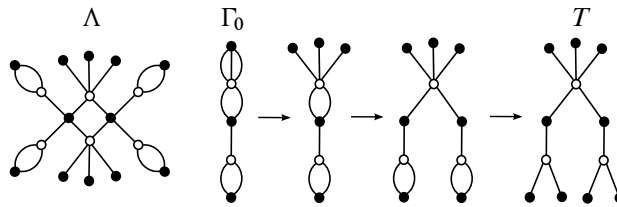


Figure 2: Example: Λ is the JSJ graph of a group in \mathcal{C} that satisfies conditions (M1) and (M2) of Theorem 1.1, and Γ_0 is the augmented graph of blocks of Λ . Between the graphs Γ_0 and T , the *split a vertex* move was performed four times to produce a finite tree with the same degree refinement as Λ and Γ_0 .

e_1, \dots, e_r with endpoints $\{t, f\}$. Let $m_i \in \Lambda$ be the midpoint of the edge e_i , and suppose that $\bigcup_{i=1}^r m_i$ separates Λ into two components. Then $\Lambda - \bigcup_{i=1}^r \text{Int}(e_i)$ has two components, where $\text{Int}(e_i)$ denotes the interior of the edge e_i . Let $C \subset \Lambda$ be the component containing f , and let $C' \subset \Lambda$ be the component containing t . (So, $\Lambda = C \cup C' \cup (\bigcup_{i=1}^r e_i)$.) Define Λ' to be the following finite graph, which is obtained by *splitting* f into r vertices. For $1 \leq i \leq r$, let C_i be a graph isomorphic to C , and let $\phi_i: C \rightarrow C_i$ be a graph isomorphism. Let $f_i = \phi_i(f)$. Let Λ' be the graph formed by the union of C' , $\bigcup_{i=1}^r C_i$, and r edges e'_1, \dots, e'_r , where e'_i has one endpoint $t \in C'$ and the other endpoint $f_i \in C_i$. Let $p: \Lambda' \rightarrow \Lambda$ be the projection that is the identity on C' , maps e'_i to e_i and C_i to C by an isomorphism.

Lemma 4.7 *The degree refinement of Λ is equivalent to the degree refinement of Λ' , where Λ and Λ' are the graphs defined in Definition 4.6.*

Proof Suppose $T_1, \dots, T_n, F_1, \dots, F_m$ are the blocks in the degree partition of Λ . As in Definition 3.6, there exist constants n_{ij} with $1 \leq i \leq n$ and $1 \leq j \leq m$ such that each vertex in T_i is adjacent via n_{ij} edges to F_j and if $n_{ij} > 0$, each vertex in F_j is adjacent via at least one edge to T_i . There exists a partition of the vertices of Λ' into blocks $T'_1, \dots, T'_n, F'_1, \dots, F'_m$, where $T'_i = p^{-1}(T_i)$ and $F'_j = p^{-1}(F_j)$, where p is the projection map in Definition 4.6. By construction, since adjacencies are affected only between f and t , each vertex in T'_i is adjacent via n_{ij} edges to F'_j and if $n_{ij} > 0$, each vertex in F'_j is adjacent via at least one edge to T'_i . \square

Construction 4.8 Let Γ_0 be the augmented graph of blocks of M as in Outline 4.5. Suppose $V(\Gamma_0) = V_1 \sqcup V_2$ as in Definition 3.4. The following construction produces

a finite tree T with degree refinement M . Since Γ_0 has degree refinement M , if Γ_0 is a tree, no additional moves are necessary. Otherwise, suppose Γ_0 is not a tree. Let $t \in V_1$ be such that there exists $f \in V_2$ and $r > 1$ edges e_1, \dots, e_r connecting t and f . By condition (M1), removing the interiors of the edges in this collection disconnects the graph Γ_0 . Let $C \subset \Lambda - \bigcup_{i=1}^r \text{Int}(e_i)$ be the component containing f . Let $D = C \cup \bigcup_{i=1}^r e_i$.

Define a height function $h: V(D) \rightarrow \mathbb{N}$ by $h(v) = d(v, t)$. Then $h(v) \in 2\mathbb{Z}$ if and only if $v \in V_1$. Furthermore, if there exists $t' \in D \cap V_1$ and $f' \in D \cap V_2$ and $r' > 1$ edges connecting t' and f' , then $h(f') = h(t') + 1$; otherwise, condition (M2) would be violated.

Perform a series of moves recursively to split vertices (as in Definition 4.6) of D at height $1, 3, 5, \dots$, and so on. Let D^k denote the graph obtained after vertices at height k have been split. As in Definition 4.6, there are projections $D^k \rightarrow D^{k-2}$ for $k \geq 3$ and $D_1 \rightarrow D$. Denote the composition of these maps as the projection $p_k: D^k \rightarrow D$ for $k \geq 1$. In an abuse of notation, we use t to denote the unique vertex in $p_k^{-1}(t) \in D^k$. Let $h_k: D^k \rightarrow \mathbb{N}$ be given by $h_k(v) = d(v, t)$. Then $h_k(v) = h(p_k(v))$ for all $v \in D^k$. Let $D_{\leq k}^k$ be the subgraph of D^k induced by vertices with height $\leq k$. Then $D_{\leq k}^k$ is a finite tree. Since D is a finite graph, there exists $N \in \mathbb{N}$ such that $h(v) < N$ for all $v \in V(D)$. Thus, after finitely many moves, the resulting graph D^N is a tree.

The moves on Γ_0 are the identity on $\Gamma_0 \setminus D$, a graph which may still contain (finitely many) embedded cycles of length two. For each set of additional cycles, the above procedure can be performed. By condition (M1) Γ_B is a tree, so these cycles of length 2 are the only embedded cycles in Γ_0 . Hence, after finitely many steps, the resulting graph is a tree. In addition, by Lemma 4.7, the resulting graph has the same degree refinement as Γ_0 , as desired.

Proposition 4.9 *If $G \in \mathcal{C}$ satisfies conditions (M1) and (M2) of Theorem 1.1, then G is quasi-isometric to a group with JSJ graph a tree.*

Proof Let M be the degree refinement of G , and let Γ_0 be the augmented graph of blocks of M . Then Γ_0 has degree refinement M , and by Construction 4.8, there exists a finite tree T with degree refinement M . Let $G' \in \mathcal{C}$ be any group with JSJ graph T . By Theorem 3.5, the groups G and G' are quasi-isometric. \square

4.3 Characterization

We collect the above conditions and constructions to prove one of the main theorems of the paper.

Theorem 4.10 *Let $G \in \mathcal{C}$. The following are equivalent:*

- (1) *The group G is quasi-isometric to a right-angled Coxeter group.*
- (2) *The group G is quasi-isometric to a group generated by finite-order elements.*
- (3) *The group G is quasi-isometric to a group with JSJ graph a tree.*
- (4) *The degree refinement of G satisfies the two conditions:*
 - (M1) *The graph of blocks of G is a tree.*
 - (M2) *The augmented graph of blocks of G has no 2-cycles at even distance bounded by Type I vertices.*

Proof Let $G \in \mathcal{C}$. We first show (3) and (4) are equivalent. To prove (3) implies (4), let $G' \in \mathcal{C}$ be a group with JSJ graph a tree which is quasi-isometric to G . Let $\Gamma_{\mathcal{B}}$ and $\Gamma'_{\mathcal{B}}$ be the graphs of blocks of G and G' , respectively, and let Γ_0 and Γ'_0 be the augmented graphs of blocks of G and G' , respectively. By Corollary 3.8, $\Gamma_{\mathcal{B}} \cong \Gamma'_{\mathcal{B}}$ and $\Gamma_0 \cong \Gamma'_0$. Therefore, by Lemmas 4.1 and 4.3, conditions (M1) and (M2) hold. By Proposition 4.9, (4) implies (3).

Clearly, (1) implies (2) and (2) implies (3). Suppose $G \in \mathcal{C}$ is quasi-isometric to a group with JSJ graph a tree. Then G is quasi-isometric to a geometric amalgam of free groups with JSJ graph a tree. Thus, by [15, Theorem 1.16], G is quasi-isometric to a right-angled Coxeter group, so (3) implies (1), concluding the proof. \square

5 Commensurability classes

5.1 The structure of finite-index subgroups

The structure of subgroups of a graph of groups is described by Scott and Wall in [33, Section 3]. In this subsection, we record the facts and constructions relevant to this paper.

As described in Section 2.2, the JSJ decomposition \mathcal{G} of a group $G \in \mathcal{C}$ is a splitting of G as the fundamental group of a graph of groups. There is a finite CW-complex X

which is a graph of spaces associated to \mathcal{G} and such that $G \cong \pi_1(X)$. Any finite-index subgroup $H \leq G$ is the fundamental group of a graph of spaces Y which finitely covers X . Thus, H splits as a graph of groups. Moreover, the graph of groups splitting of H associated to this graph of spaces Y is the JSJ decomposition of H . The details are as follows.

Proposition 5.1 *Let $G \in \mathcal{C}$ and $H \leq G$ be a finite-index subgroup. Let \mathcal{G} be the JSJ decomposition of G with underlying graph Λ . The subgroup H is the fundamental group of a graph of groups \mathcal{H} associated to the graph of spaces Y described above. If Γ is the underlying graph of \mathcal{H} , then for each $w \in V(\Gamma)$, there exists $v \in V(\Lambda)$ and $g_w \in G$ such that $H_w = H \cap g_w G_v g_w^{-1}$ and H_w is a finite-index subgroup of $g_w G_v g_w^{-1}$. The graph of groups \mathcal{H} is the JSJ decomposition of H .*

Proof All statements except the last sentence of the proposition are given in Section 3 of [33]; it remains to show that \mathcal{H} is the JSJ decomposition of H . Indeed, suppose $w \in V(\Gamma)$ is such that $H_w = H \cap g_w G_v g_w^{-1}$. By the construction of the JSJ decomposition of G due to Bowditch [5], the subgroup $g_w G_v g_w^{-1}$ is the stabilizer in G of a distinguished subset $A \subset \partial_\infty G$ in the visual boundary of G , called either a *necklace* or a *jump*, depending on whether the group G_v is maximally hanging Fuchsian or 2-ended, respectively. (See [5, Section 5].) Since H is a finite-index subgroup of G , the inclusion of H in G induces a homeomorphism from the visual boundary of H to the visual boundary of G . Thus, H_w is the stabilizer in H of the subset $A \subset \partial_\infty H \cong \partial_\infty G$. Therefore, H_w is a vertex group in the JSJ decomposition of H . By the same reasoning, the adjacencies between vertex groups in \mathcal{G} yield the appropriate adjacencies between vertex groups in \mathcal{H} . Therefore, \mathcal{H} is the JSJ decomposition of H . □

Notation 5.2 Suppose $G, G' \in \mathcal{C}$ are abstractly commensurable. Let \mathcal{G} and \mathcal{G}' be the JSJ decompositions of G and G' , respectively. Suppose \mathcal{G} and \mathcal{G}' have underlying graphs Λ and Λ' , respectively, with $V(\Lambda) = V_1 \sqcup V_2$ and $V(\Lambda') = V'_1 \sqcup V'_2$. Suppose each vertex group G_v and $G'_{v'}$ is 2-ended for $v \in V_1$ and $v' \in V'_1$, respectively; suppose each vertex group G_v and $G'_{v'}$ is maximally hanging Fuchsian for each $v \in V_2$ and $v' \in V'_2$, respectively. Let $H \leq G$ and $H' \leq G'$ be subgroups of finite-index with $H \cong H'$. Let \mathcal{H} and \mathcal{H}' be the JSJ decompositions of H and H' , respectively. Suppose \mathcal{H} and \mathcal{H}' have underlying graphs Γ and Γ' , respectively, with $V(\Gamma) = W_1 \sqcup W_2$ and $V(\Gamma') = W'_1 \sqcup W'_2$. Suppose each vertex group H_w and $H'_{w'}$ is 2-ended for $w \in W_1$ and $w' \in W'_1$, respectively; suppose each vertex group H_w and $H'_{w'}$ is maximally hanging Fuchsian for each $w \in W_2$ and $w' \in W'_2$, respectively.

Suppose in the degree partition of Λ the vertices in V_1 are contained in blocks $T_1(G), \dots, T_n(G)$, and the vertices in V_2 are contained in blocks $F_1(G), \dots, F_m(G)$. All groups in $\{G, G', H, H'\}$ are quasi-isometric. Hence, by Theorem 3.5, in the degree partition of Λ' the vertices in V'_1 may be partitioned into blocks $T_1(G'), \dots, T_n(G')$ and the vertices in V'_2 may be partitioned into blocks $F_1(G'), \dots, F_m(G')$ such that the resulting degree refinement matrix for Λ' is equal to the degree refinement matrix for Λ (without permuting the indices of the $T_i(G')$ and $F_i(G')$). Similarly, assume the degree partition of Γ into blocks $T_1(H), \dots, T_n(H), F_1(H), \dots, F_m(H)$ and the degree partition of Γ' into blocks $T_1(H'), \dots, T_n(H'), F_1(H'), \dots, F_m(H')$ also yield degree refinement matrices equal to the degree refinement matrix of Λ and Λ' (without permuting the indices of the blocks).

The degree partitions of the vertices of the JSJ graphs yield natural partitions of the vertex groups in the JSJ decompositions. We will use the notation

$$\begin{aligned} T_i^G &= \{G_v \mid v \in T_i(G)\}, & F_i^G &= \{G_v \mid v \in F_i(G)\}, \\ T_i^{G'} &= \{G'_{v'} \mid v' \in T_i(G')\}, & F_i^{G'} &= \{G'_{v'} \mid v' \in F_i(G')\}, \\ T_i^H &= \{H_w \mid w \in T_i(H)\}, & F_i^H &= \{H_w \mid w \in F_i(H)\}, \\ T_i^{H'} &= \{H'_{w'} \mid w' \in T_i(H')\}, & F_i^{H'} &= \{H'_{w'} \mid w' \in F_i(H')\}. \end{aligned}$$

Lemma 5.3 *Let $H \leq G$ be a finite-index subgroup with the notation defined above. Let $w \in V(\Gamma)$ be such that there exists $v \in V(\Lambda)$ and $g_w \in G$ (by Proposition 5.1) be such that $H_w = H \cap g_w G_v g_w^{-1}$. Then $G_v \in F_i^G$ if and only if $H_w \in F_i^H$. Similarly, $G_v \in T_i^G$ if and only if $H_w \in T_i^H$.*

Proof Since H is a finite-index subgroup of G , the inclusion of H in G induces a homeomorphism from the visual boundary of H to the visual boundary of G . Hence, H and G have isomorphic JSJ trees by the construction of the JSJ tree due to Bowditch. Denote this tree by T . The subgroup H_w stabilizes the same vertex of T as $g_w G_v g_w^{-1}$, and the conclusion of the lemma follows. □

To study finite covers of a 2–dimensional hyperbolic P –manifold X , one often considers the full preimage of a singular curve on X or a subsurface of X . Algebraically, this corresponds to considering the following subset of vertex groups:

Definition 5.4 For $v \in V(\Lambda)$, let

$$\mathcal{H}_v = \{H_w \leq H \mid w \in V(\Gamma) \text{ and there exists } g_w \in G \text{ such that } H_w = H \cap g_w G_v g_w^{-1}\}.$$

Define \mathcal{H}'_v similarly.

We will make use of the following two elementary observations, which follow from the discussion in [33, Section 3].

Lemma 5.5 *Suppose $H \leq G$ is a subgroup of index d . For each $v \in V(\Lambda)$,*

$$\sum_{H_w \in \mathcal{H}_v} [G_v : H_w] = d.$$

Lemma 5.6 *If $w, w' \in V(\Gamma)$ are adjacent, $H_w = H \cap g_w G_v g_w^{-1}$, and $H_{w'} = H \cap g_{w'} G_{v'} g_{w'}^{-1}$ for some $g_w, g_{w'} \in G$ and $v, v' \in V(\Lambda)$, then v and v' are adjacent.*

5.2 Quasi-isometric rigidity does not hold for the subclass of torsion-generated groups

Construction 5.7 Let $G \cong \pi_1(X) \in \mathcal{C}$ be the fundamental group of the 2-dimensional hyperbolic P -manifold X shown in Figure 3. The group G has JSJ decomposition with JSJ graph Λ . The vertices in Figure 3 are labeled so that $G_{v_K} \cong \pi_1(K)$, where K is a connected subsurface or branching curve in the space X . The JSJ graph for G has the degree partition

$$\begin{aligned} T_1(G) &= \{v_\alpha, v_\beta\}, & F_1(G) &= \{v_A\}, & F_4(G) &= \{v_{D_1}, \dots, v_{D_4}\}, \\ T_2(G) &= \{v_\gamma\}, & F_2(G) &= \{v_B\}, & F_5(G) &= \{v_{E_1}, \dots, v_{E_5}\}, \\ T_3(G) &= \{v_\delta\}, & F_3(G) &= \{v_{C_1}, v_{C_2}, v_{C'_1}, v_{C'_2}\}, \end{aligned}$$

The degree refinement for G is the matrix in Figure 3.

Theorem 5.8 *Let $G \cong \pi_1(X) \in \mathcal{C}$ be as given in Construction 5.7. The following hold:*

- (1) *The group G is quasi-isometric to a right-angled Coxeter group.*
- (2) *The group G is not abstractly commensurable to any group with JSJ graph a tree. In particular, G is not abstractly commensurable to any group generated by finite-order elements.*

We first prove (1) in the next lemma.

Lemma 5.9 *The group G is quasi-isometric to a right-angled Coxeter group.*

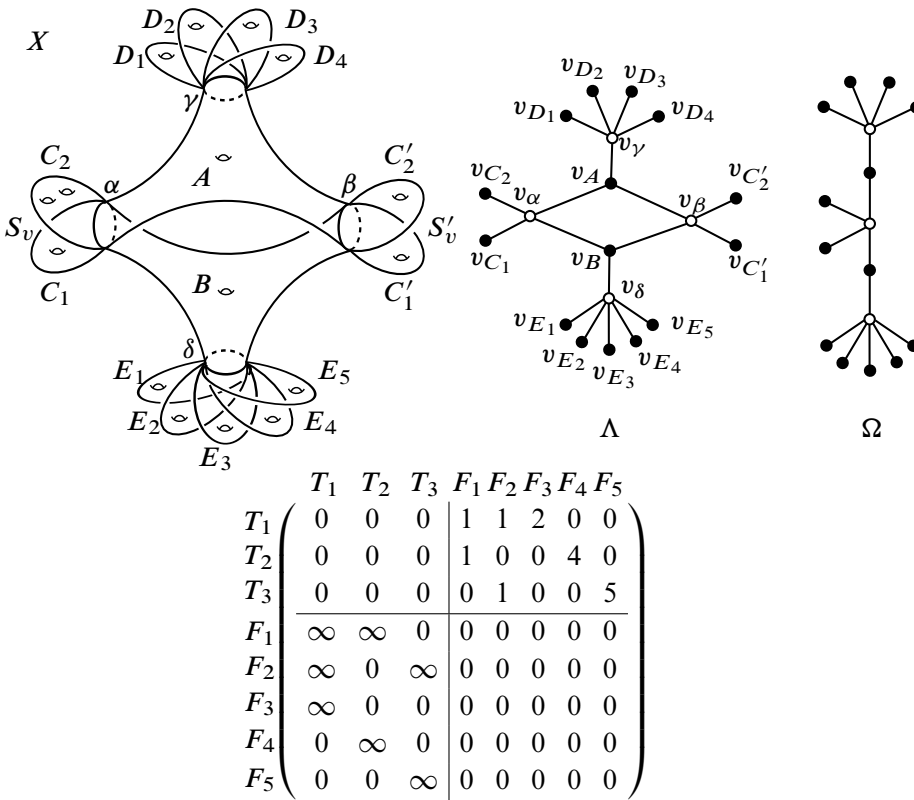


Figure 3: The group $\pi_1(X)$ has JSJ decomposition graph Λ and degree refinement the matrix shown. The group $\pi_1(X)$ is quasi-isometric to a right-angled Coxeter group with JSJ graph Ω , but $\pi_1(X)$ is not abstractly commensurable to any group generated by finite-order elements, as shown in Theorem 5.8.

Proof Let G' be a geometric amalgam of free groups with JSJ graph Ω shown in Figure 3, where the vertex groups associated to the white vertices are infinite cyclic and the vertex groups associated to the black vertices are maximally hanging Fuchsian. The graph Ω is a tree; so, by [15, Theorem 1.16], G' is quasi-isometric to a right-angled Coxeter group. The group G' also has degree refinement the matrix shown. Therefore, by Theorem 3.5, the groups G and G' are quasi-isometric. \square

Outline 5.10 We outline the proof of Theorem 5.8(2) in the case of a simplifying assumption. Suppose towards a contradiction that G is abstractly commensurable to a group G' with JSJ graph a tree and such that $G' \cong \pi_1(X')$ where X' is a 2-dimensional hyperbolic P -manifold. In this setting, by [25, Theorem 1.2], there

exist finite covers $p: Y \rightarrow X$ and $p': Y' \rightarrow X'$, where Y and Y' are 2-dimensional hyperbolic P -manifolds, and there exists a homeomorphism $f: Y \rightarrow Y'$ inducing an isomorphism between finite-index subgroups of G and G' .

The vertices $\{v_\alpha, v_A, v_\beta, v_B\}$ form a cycle in the JSJ graph Λ for G . The full preimage of $A \cup B \cup \alpha \cup \beta$ in the cover $Y \rightarrow X$ yields (not necessarily disjoint) cycles in the JSJ graph for $\pi_1(Y)$ and hence in the JSJ graph for $\pi_1(Y') \cong \pi_1(Y)$. We show these cycles cannot project to a tree in the JSJ graph for $\pi_1(X')$. The first step is to show that $p'(f(p^{-1}(S_v))) \cap p'(f(p^{-1}(S'_v))) = \emptyset$, where S_v and S'_v are the closed surfaces in X labeled in Figure 3. This claim holds since the vertex groups in F_3^G are exactly $\{\pi_1(C_1), \pi_1(C_2), \pi_1(C'_1), \pi_1(C'_2)\}$ and the ratio of the Euler characteristic of the subsurfaces in S_v is different from the ratio of the Euler characteristic of the subsurfaces of S'_v . Consequently, $p'(f(p^{-1}(\alpha))) \cap p'(f(p^{-1}(\beta))) = \emptyset$. Since $\pi_1(A) \in F_1^G$ and $\pi_1(B) \in F_2^G$, Lemma 5.3 implies $p'(f(p^{-1}(A))) \cap p'(f(p^{-1}(B))) = \emptyset$. Each subsurface or curve in X' in

$$\{p'(f(p^{-1}(A))), p'(f(p^{-1}(B))), p'(f(p^{-1}(\alpha))), p'(f(p^{-1}(\beta)))\}$$

corresponds to a vertex in a set V' contained in the JSJ graph for $\pi_1(X')$. The vertices in V' are adjacent to at least two other vertices in V' by the above arguments, and this yields a cycle in the JSJ graph, a contradiction. The proof in full generality given below translates these topological ideas to the algebraic setting.

Proof of Theorem 5.8 The proof of (1) is given in Lemma 5.9. To prove (2), suppose towards a contradiction that G is abstractly commensurable to a group G' with JSJ graph a tree Λ' . Suppose $H \leq G$ and $H' \leq G'$ are finite-index subgroups which are isomorphic. Since G is a geometric amalgam of free groups, the groups H and H' are geometric amalgams of free groups. Hence, $H \cong \pi_1(Y)$ and $H' \cong \pi_1(Y')$, where Y and Y' are 2-dimensional hyperbolic P -manifolds. By [25, Theorem 1.2] there exists a homeomorphism $f: Y \rightarrow Y'$ inducing an isomorphism $\Phi: H \rightarrow H'$. Suppose $p: Y \rightarrow X$ is a finite covering map.

Let \mathcal{S} be the full preimage of S_v in Y , and let \mathcal{S}' be the full preimage of S'_v in Y , where $S_v = C_1 \cup C_2$ and $S'_v = C'_1 \cup C'_2$ are the closed surfaces in X labeled in Figure 3. The spaces \mathcal{S} and \mathcal{S}' are each a disjoint collection of connected closed surfaces and $\mathcal{S} \cap \mathcal{S}' = \emptyset$ since $S_v \cap S'_v = \emptyset$. The lifts of the branching curve α on X partition each surface Σ in \mathcal{S} as $\Sigma = Z_1 \cup Z_2$ so that $p(Z_i) = C_i$. Similarly, the lifts of the branching curve β on X partition each surface Σ' in \mathcal{S}' as $\Sigma' = Z'_1 \cup Z'_2$, where

$p(Z'_i) = C'_i$. Each branching curve in Y that intersects Σ is incident to exactly one subsurface in each of Z_1 and Z_2 . Hence, Z_1 covers C_1 by the same degree that Z_2 covers C_2 . A similar argument holds for Σ' . Moreover, since $f: Y \rightarrow Y'$ is a homeomorphism,

$$(5-1) \quad \frac{\chi(f(Z_1))}{\chi(f(Z_2))} = \frac{\chi(Z_1)}{\chi(Z_2)} = \frac{\chi(C_1)}{\chi(C_2)} \quad \text{and} \quad \frac{\chi(f(Z'_1))}{\chi(f(Z'_2))} = \frac{\chi(Z'_1)}{\chi(Z'_2)} = \frac{\chi(C'_1)}{\chi(C'_2)}.$$

Let $H'_\Sigma \cong \pi_1(f(\Sigma)) \leq H'$ and $H'_{\Sigma'} \cong \pi_1(f(\Sigma')) \leq H'$. We now set notation. The subgroup H'_Σ is generated by a union of vertex groups in $T_1^{H'}$ and $F_3^{H'}$ in the JSJ decomposition of H' by Lemma 5.3. Suppose $H'_\Sigma = \langle H'_{w_1}, \dots, H'_{w_r}, H'_{x_1}, \dots, H'_{x_s} \rangle$, where $w_i \in F_3(H')$ for $i \in \{1, \dots, r\}$ and $x_j \in T_1(H')$ for $j \in \{1, \dots, s\}$. Similarly, $H'_{\Sigma'} = \langle H'_{w'_1}, \dots, H'_{w'_{r'}}, H'_{x'_1}, \dots, H'_{x'_{s'}} \rangle$, where $w'_i \in F_3(H')$ for $i \in \{1, \dots, r'\}$ and $x'_j \in T_1(H')$ for $j \in \{1, \dots, s'\}$. Assume that the fundamental group of every branching curve in Y' that intersects $f(\Sigma)$ is included in the set $\{H'_{x_j}\}_{j=1}^s$, and assume that the fundamental group of every branching curve in Y' that intersects $f(\Sigma')$ is included in the set $\{H'_{x'_j}\}_{j=1}^{s'}$. That is, the generating sets above are not minimal since these branching curves are boundary curves of surfaces whose fundamental groups are contained in the sets $\{H'_{w_i}\}_{i=1}^r$ and $\{H'_{w'_i}\}_{i=1}^{r'}$. By Proposition 5.1 and Lemma 5.3, there are vertices $v_i, v'_i \in F_3(G')$ and $y_j, y'_j \in T_1(G')$ and elements $g_{w_i}, g_{w'_i}, g_{x_j}, g_{x'_j} \in G'$ such that

$$\begin{aligned} H'_{w_i} &= H' \cap g_{w_i} G'_{v_i} g_{w_i}^{-1}, & H'_{x_j} &= H' \cap g_{x_j} G'_{y_j} g_{x_j}^{-1}, \\ H'_{w'_i} &= H' \cap g_{w'_i} G'_{v'_i} g_{w'_i}^{-1}, & H'_{x'_j} &= H' \cap g_{x'_j} G'_{y'_j} g_{x'_j}^{-1}. \end{aligned}$$

The surfaces $f(\Sigma)$ and $f(\Sigma')$ are disjoint in the space Y' , so

$$\{w_1, \dots, w_r, x_1, \dots, x_s\} \cap \{w'_1, \dots, w'_{r'}, x'_1, \dots, x'_{s'}\} = \emptyset.$$

Claim $\{v_1, \dots, v_r, y_1, \dots, y_s\} \cap \{v'_1, \dots, v'_{r'}, y'_1, \dots, y'_{s'}\} = \emptyset.$

Proof of Claim Since the fundamental group of every branching curve in Y' that intersects $f(\Sigma)$ or $f(\Sigma')$ is included in the set $\{H_{x_j}\}_{j=1}^s \cup \{H_{x'_j}\}_{j=1}^{s'}$, if $v_i = v'_\ell$ for some i, ℓ , then $y_j = y'_k$ for some j, k . Suppose towards a contradiction $y_j = y'_k$ for some $j \in \{1, \dots, s\}$ and $k \in \{1, \dots, s'\}$.

We first show recursively this assumption implies

$$\{v_1, \dots, v_r, y_1, \dots, y_s\} = \{v'_1, \dots, v'_{r'}, y'_1, \dots, y'_{s'}\}.$$

Each vertex $x_j \in \{x_i\}_{i=1}^s$ is adjacent to exactly two vertices $w, w' \in \{w_i\}_{i=1}^r$. By the structure of the degree refinement for H' , each vertex $x_j \in \{x_i\}_{i=1}^s$ is not adjacent to any other vertices in $F_3(H')$. An analogous statement holds for the vertices $\{x'_j\}_{j=1}^{s'}$ and $\{w'_i\}_{i=1}^{r'}$. Since the degree refinement for G' is the same as the degree refinement for H' , an analogous statement also holds for the pairs $(\{v_i\}_{i=1}^r, \{y_j\}_{j=1}^s)$ and $(\{v'_i\}_{i=1}^{r'}, \{y'_j\}_{j=1}^{s'})$. Therefore, if $y_j = y'_k$, then the two vertices $v, v' \in F_3(G')$ incident to $y_j = y'_k$ are in the sets $\{v_i\}_{i=1}^r$ and $\{v'_i\}_{i=1}^{r'}$. Since $f(\Sigma)$ and $f(\Sigma')$ are closed surfaces, for each vertex w_i and w'_i with $i \in \{1, \dots, r\}$ and $i' \in \{1, \dots, r'\}$, each vertex in $T_1(H')$ incident to w_i is in the set $\{x_j\}_{j=1}^s$ and each vertex in $T_1(H')$ incident to w'_i is in the set $\{x'_j\}_{j=1}^{s'}$. Thus, an analogous statement holds for the pairs $(\{v_i\}, \{y_i\})$ and $(\{v'_i\}, \{y'_i\})$. So, each vertex in $T_1(G')$ incident to either v or v' is in the sets $\{y_i\}_{i=1}^s$ and $\{y'_i\}_{i=1}^{s'}$. The above argument can then be applied to these vertices incident to v and v' . Each pair of vertex sets $(\{w_i\}, \{x_j\})$, $(\{w'_i\}, \{x'_j\})$, $(\{v_i\}, \{y_j\})$ and $(\{v'_i\}, \{y'_j\})$ spans a connected subgraph in either Γ' or Λ' . Therefore, these arguments can be repeated to conclude $\{v_1, \dots, v_r, y_1, \dots, y_s\} = \{v'_1, \dots, v'_{r'}, y'_1, \dots, y'_{s'}\}$.

The partitions of the surfaces $f(\Sigma) = f(Z_1) \cup f(Z_2)$ and $f(\Sigma') = f(Z'_1) \cup f(Z'_2)$ yield partitions of the vertices $\{w_i\}_{i=1}^r = Z_1 \sqcup Z_2$ and $\{w'_i\}_{i=1}^{r'} = Z'_1 \sqcup Z'_2$. Hence, there are partitions $\{v_i\}_{i=1}^r = \mathcal{V}_1 \sqcup \mathcal{V}_2$ and $\{v'_i\}_{i=1}^{r'} = \mathcal{V}'_1 \sqcup \mathcal{V}'_2$, where $v_i \in \mathcal{V}_j$ if H_{w_i} is the fundamental group of a subsurface in $f(Z_j)$, and likewise for v'_i . Each vertex $x_j \in \{x_k\}_{k=1}^s$ is adjacent to exactly one vertex in Z_1 and exactly one vertex in Z_2 , and an analogous statement holds for $x'_j \in \{x'_k\}_{k=1}^{s'}$. Hence, each vertex y_j for $j \in \{1, \dots, s\}$ is adjacent to exactly one vertex in each of \mathcal{V}_1 and \mathcal{V}_2 , and the same holds for y'_j for $j \in \{1, \dots, s'\}$. Therefore, by the conclusion of the previous paragraph, either $\mathcal{V}_1 = \mathcal{V}'_1$ and $\mathcal{V}_2 = \mathcal{V}'_2$ or $\mathcal{V}_1 = \mathcal{V}'_2$ and $\mathcal{V}_2 = \mathcal{V}'_1$. Assume $\mathcal{V}_1 = \mathcal{V}'_1$ and $\mathcal{V}_2 = \mathcal{V}'_2$; the other case is similar.

Since each y_j with $j \in \{1, \dots, s\}$ is incident to exactly one vertex in each of \mathcal{V}_1 and \mathcal{V}_2 , by the description of finite-index subgroups in [33, Section 3] and Lemma 2.5, there exists $d \in \mathbb{N}$ such that

$$d \cdot \sum_{v \in \mathcal{V}_1} \chi(G'_v) = \chi(f(Z_1)) \quad \text{and} \quad d \cdot \sum_{v \in \mathcal{V}_2} \chi(G'_v) = \chi(f(Z_2)).$$

Similarly, there exists $d' \in \mathbb{N}$ such that

$$d' \cdot \sum_{v \in \mathcal{V}'_1} \chi(G'_v) = \chi(f(Z'_1)) \quad \text{and} \quad d' \cdot \sum_{v \in \mathcal{V}'_2} \chi(G'_v) = \chi(f(Z'_2)).$$

Therefore, since $\mathcal{V}_1 = \mathcal{V}'_1$ and $\mathcal{V}_2 = \mathcal{V}'_2$,

$$\frac{\chi(f(Z_1))}{\chi(f(Z_2))} = \frac{\sum_{v \in \mathcal{V}_1} \chi(G'_v)}{\sum_{v \in \mathcal{V}_2} \chi(G'_v)} = \frac{\sum_{v \in \mathcal{V}'_1} \chi(G'_v)}{\sum_{v \in \mathcal{V}'_2} \chi(G'_v)} = \frac{\chi(f(Z'_1))}{\chi(f(Z'_2))}.$$

So, by (5-1), $\chi(C_1)/\chi(C_2) = \chi(C'_1)/\chi(C'_2)$, a contradiction. Therefore,

$$\{v_1, \dots, v_r, y_1, \dots, y_s\} \cap \{v'_1, \dots, v'_{r'}, y'_1, \dots, y'_{s'}\} = \emptyset. \quad \square$$

To conclude the proof of the theorem, let $\mathcal{H}'_\alpha \subset V(\Gamma')$ and $\mathcal{H}'_\beta \subset V(\Gamma')$ be the sets of vertices in Γ' whose vertex groups are the fundamental group of a component of $f(p^{-1}(\alpha))$ and $f(p^{-1}(\beta))$, respectively, where α and β are the singular curves in X labeled in Figure 3. Let $\mathcal{G}'_\alpha \subset \Lambda'$ and $\mathcal{G}'_\beta \subset \Lambda'$ be the set of vertices of Λ' whose vertex groups contain, as a finite-index subgroup, H'_w for $w \in \mathcal{H}'_\alpha$ and $w \in \mathcal{H}'_\beta$, respectively. The above arguments imply $\mathcal{G}'_\alpha \cap \mathcal{G}'_\beta = \emptyset$. Indeed, every lift of α in Y is contained in some surface Σ in \mathcal{S} , and every lift of β in Y is contained in some surface Σ' in \mathcal{S}' . Let $\mathcal{H}'_A \subset V(\Gamma')$ and $\mathcal{H}'_B \subset V(\Gamma')$ be the set of vertices in Γ' whose vertex groups are the fundamental group of a component of $f(p^{-1}(A))$ and $f(p^{-1}(B))$, respectively, where A and B are the subsurfaces in X shown in Figure 3. Let $\mathcal{G}'_A \subset \Lambda'$ and $\mathcal{G}'_B \subset \Lambda'$ be the set of vertices in Λ' whose vertex groups contain, as a finite-index subgroup, H'_w for $w \in \mathcal{H}'_A$ and $w \in \mathcal{H}'_B$, respectively. Since $\pi_1(A) \in F_1^G$ and $\pi_1(B) \in F_2^G$, by Lemma 5.3, $\mathcal{G}'_A \cap \mathcal{G}'_B = \emptyset$. Every vertex in \mathcal{H}'_A is adjacent to a vertex in \mathcal{H}'_α and a vertex in \mathcal{H}'_β and vice versa. Similarly, every vertex in \mathcal{H}'_B is adjacent to a vertex in \mathcal{H}'_α and a vertex in \mathcal{H}'_β and vice versa. Therefore, by Lemma 5.6, every vertex in \mathcal{G}'_A and \mathcal{G}'_B is adjacent to a vertex in \mathcal{G}'_α and a vertex in \mathcal{G}'_β and vice versa. So, there is a cycle in Λ' , a contradiction. Therefore, G is not abstractly commensurable to any group with JSJ graph a tree. □

6 Necessary conditions for commensurability

6.1 Block Euler characteristic vector

Definition 6.1 Let $G \in \mathcal{C}$, and let Λ be the JSJ graph of G so that $V(\Lambda) = V_1 \sqcup V_2$ as in Definition 3.4. Suppose in the degree partition of Λ , the vertices in V_1 are contained in blocks T_1, \dots, T_n and the vertices in V_2 are contained in blocks F_1, \dots, F_m . Let $\chi_i = \sum_{G_v \in F_i^G} \chi(G_v)$. Suppose the blocks $\{F_i\}_{i=1}^m$ are indexed so that $\chi_i \geq \chi_j$ for $i \geq j$. The *block Euler characteristic vector* of G is (χ_1, \dots, χ_m) .

Definition 6.2 Vectors $v, v' \in \mathbb{R}^n$ are *commensurable* if there exist nonzero integers $K, K' \in \mathbb{Z}$ such that $Kv = K'v'$.

Proposition 6.3 If $G, G' \in \mathcal{C}$ are abstractly commensurable, then the block Euler characteristic vector of G is commensurable to the block Euler characteristic vector of G' .

Proof Let (χ_1, \dots, χ_m) and $(\chi'_1, \dots, \chi'_m)$ be the block Euler characteristic vectors of G and G' , respectively, where $\chi_i = \sum_{G_v \in F_i^G} \chi(G_v)$ and $\chi'_i = \sum_{G'_{v'} \in F_i^{G'}} \chi(G'_{v'})$. Suppose $H \leq G$ and $H' \leq G'$ are finite-index subgroups with $H \cong H'$. Suppose $[G : H] = d$ and $[G' : H'] = d'$. By Lemma 5.5, for every $v \in V(\Lambda)$ and $v' \in V(\Lambda')$,

$$d \cdot \chi(G_v) = \sum_{H_w \in \mathcal{H}_v} \chi(H_w) \quad \text{and} \quad d' \cdot \chi(G'_{v'}) = \sum_{H'_{w'} \in \mathcal{H}'_{v'}} \chi(H'_{w'}).$$

Furthermore, by Lemma 5.3,

$$\bigcup_{v \in F_i^G} \mathcal{H}_v = F_i^H \quad \text{and} \quad \bigcup_{v' \in F_i^{G'}} \mathcal{H}'_{v'} = F_i^{H'}.$$

Therefore,

$$d \cdot \sum_{G_v \in F_i^G} \chi(G_v) = \sum_{H_w \in F_i^H} \chi(H_w) = \sum_{H'_{w'} \in F_i^{H'}} \chi(H'_{w'}) = d' \cdot \sum_{G'_{v'} \in F_i^{G'}} \chi(G'_{v'}).$$

So, $d(\chi_1, \dots, \chi_m) = d'(\chi'_1, \dots, \chi'_m)$. □

6.2 Matching Euler characteristic vector

Suppose $G \in \mathcal{C}$ has JSJ decomposition with underlying graph Λ with $V(\Lambda) = V_1 \sqcup V_2$ as in Definition 3.4. If all vertices in V_1 have the same valence, then the block Euler characteristic vector of G has one entry. Hence, the block Euler characteristic vector does not distinguish commensurability classes in this setting. So, we define a finer invariant in this subsection to deal with this case. Results in this section are proved only within the subclass of geometric amalgams of free groups.

If Γ is a graph, a *matching* in Γ is a collection of disjoint edges whose vertex set is exactly the vertex set of Γ . This notion extends to subsurfaces in a 2-dimensional hyperbolic P -manifold, and a necessary criterion for commensurability can be stated in these terms.

Definition 6.4 Let X be a 2–dimensional hyperbolic P –manifold. A *matching* in X is a (not necessarily connected) subsurface in X (see Definition 2.11) whose boundary is exactly the set of branching curves in X . In particular, a matching does not contain any branching curves in its interior, and each branching curve is incident to exactly one connected subsurface with boundary in the matching. A *maximal matching* in X is a matching which has the greatest Euler characteristic of any matching in X .

Lemma 6.5 (existence of a matching) *Let X be a possibly disconnected hyperbolic P –manifold over a finite forest, and suppose each branching curve in X is incident to exactly n subsurfaces. Then X admits a matching.*

Proof Let X be a possibly disconnected hyperbolic P –manifold over a finite forest T , and suppose each branching curve in X is incident to exactly n subsurfaces. Suppose X has branching curves c_1, \dots, c_m . To build a matching \mathcal{M} of X , choose $\Sigma_1 \subset X$, a subsurface of X , and let $\Sigma_1 \in \mathcal{M}$. Without loss of generality, Σ_1 has boundary c_1, \dots, c_k for some $k \leq m$. Let $X_1 \subset X$ be the set of subsurfaces in X which have at least one boundary component in $\{c_1, \dots, c_k\}$. Without loss of generality, the set of boundary curves of subsurfaces in X_1 is $\{c_1, \dots, c_{k+\ell}\}$. Let $X'_1 = \overline{X \setminus X_1}$, a hyperbolic P –manifold over a finite forest. Since T is a finite forest, each curve in $\{c_{k+1}, \dots, c_{k+\ell}\}$ has degree $n - 1 > 1$ in X'_1 . So, it is possible to add to \mathcal{M} one subsurface in X'_1 incident to each curve in $\{c_{k+1}, \dots, c_{k+\ell}\}$. Repeat this procedure with each new surface chosen for \mathcal{M} in the place of Σ_1 to produce a matching \mathcal{M} in finitely many steps. \square

Example 6.6 There are 2–dimensional hyperbolic P –manifolds for which each branching curve has the same degree and for which there does not exist a matching. Indeed, let X be a 2–dimensional hyperbolic P –manifold whose fundamental group has JSJ graph Ω shown in Figure 4. The white vertices in Ω correspond to 2–ended vertex groups; the black vertices correspond to maximally hanging Fuchsian vertex groups.

Definition 6.7 Let X be a 2–dimensional hyperbolic P –manifold with underlying graph a tree, and suppose each branching curve in X is incident to exactly n subsurfaces. Let \mathcal{M}_1 be a maximal matching in X , and let \mathcal{M}_i be a maximal matching in $X \setminus \text{Int}(\bigcup_{k=1}^{i-1} \mathcal{M}_k)$ for $i = 2, \dots, n$. (Note that in a slight abuse of notation, we still refer to the image of the branching curves of X in $X \setminus \text{Int}(\bigcup_{k=1}^{n-2} \mathcal{M}_k)$ as “branching” even though at this step the space is a manifold; similarly for $X \setminus \text{Int}(\bigcup_{k=1}^{n-1} \mathcal{M}_k)$.)

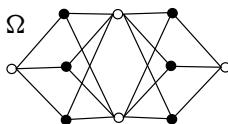


Figure 4: The JSJ graph Ω of a 2–dimensional hyperbolic P –manifold whose fundamental group does not admit a matching

The matching Euler characteristic vector of X is

$$(\chi(\mathcal{M}_1), \chi(\mathcal{M}_2), \dots, \chi(\mathcal{M}_n)).$$

The proof of the following proposition generalizes [34, Proposition 3.3.2] and [15, Proposition 6.4].

Proposition 6.8 *Suppose X and X' are 2–dimensional hyperbolic P –manifolds, the underlying graphs of X and X' are trees, and each branching curve in X and X' is incident to exactly n subsurfaces with boundary. Let v and v' be the matching Euler characteristic vectors of X and X' , respectively. If $\pi_1(X)$ and $\pi_1(X')$ are abstractly commensurable, then v and v' are commensurable vectors.*

Proof Suppose that X and X' are 2–dimensional hyperbolic P –manifolds, the underlying graphs of X and X' are trees, and each branching curve in X and X' is incident to n branching curves. Let $v = (\chi(\mathcal{M}_1), \dots, \chi(\mathcal{M}_n))$ and $v' = (\chi(\mathcal{M}'_1), \dots, \chi(\mathcal{M}'_n))$ be the matching Euler characteristic vectors of X and X' , respectively. Suppose that $\pi_1(X)$ and $\pi_1(X')$ are abstractly commensurable. We seek to prove that v and v' are commensurable.

Since $\pi_1(X)$ and $\pi_1(X')$ are abstractly commensurable, there are finite covering spaces $p: Y \rightarrow X$ and $p': Y' \rightarrow X'$ and a homeomorphism $f: Y \rightarrow Y'$ by [25, Theorem 1.2]. Suppose that p is a degree D cover and p' is a degree D' cover. We will show $Dv = D'v'$.

Suppose that

$$\begin{aligned} \chi(\mathcal{M}_1) = \dots = \chi(\mathcal{M}_s) > \chi(\mathcal{M}_{s+1}) \geq \dots \geq \chi(\mathcal{M}_n), \\ \chi(\mathcal{M}'_1) = \dots = \chi(\mathcal{M}'_t) > \chi(\mathcal{M}'_{t+1}) \geq \dots \geq \chi(\mathcal{M}'_n). \end{aligned}$$

Without loss of generality, $D\chi(\mathcal{M}_1) \geq D'\chi(\mathcal{M}'_1)$ and if $D\chi(\mathcal{M}_1) = D'\chi(\mathcal{M}'_1)$ then $s \geq t$.

Consider the matching $f(p^{-1}(\mathcal{M}_1)) = \{S'_1, \dots, S'_r\} \subset Y'$, a disjoint collection of connected subsurfaces of Y' whose boundary is exactly the set of branching curves of Y' . Let $\{c_1, \dots, c_m\}$ be the set of branching curves of X' . Each surface $S'_i \in f(p^{-1}(\mathcal{M}_1))$ covers a subsurface S_{I_i} of X' , where S_{I_i} has boundary $\{c_j \mid j \in I_i\}$ for some $I_i \subset \{1, \dots, m\}$. Suppose S'_i covers S_{I_i} by degree d_{I_i} with $1 \leq d_{I_i} \leq D'$.

Claim
$$\sum_{i=1}^r d_{I_i} \cdot \chi(S_{I_i}) \leq D' \chi(\mathcal{M}'_1).$$

Proof of Claim The inequality holds by the definition of maximal matching if $D' = 1$. In general, the surfaces in $\{S_{I_i}\}'_{i=1}$ need not form a matching of X' . However, we show that if these surfaces are counted with the right multiplicity, then they can be partitioned into D' matchings of X' .

If $D' > 1$, we will partition the surfaces in the set

$$\mathcal{S} = \underbrace{\{S_{I_1}, \dots, S_{I_1}\}}_{d_{I_1}}, \underbrace{\{S_{I_2}, \dots, S_{I_2}\}}_{d_{I_2}}, \dots, \underbrace{\{S_{I_r}, \dots, S_{I_r}\}}_{d_{I_r}}$$

into D' matchings of X' , called $\mathcal{N}_1, \dots, \mathcal{N}_{D'}$. The sum of the Euler characteristics of the surfaces in the D' matchings constructed is equal to the left-hand side of the inequality in the claim. The conclusion of the claim will follow by the definition of maximal matching. For $i \in \{1, \dots, r\}$, we call the value d_{I_i} the *weight* of the surface S_{I_i} . The weight of S_{I_i} records the contribution of $\chi(S_{I_i})$ to the Euler characteristic of $f(p^{-1}(\mathcal{M}_1))$. If c_j is a boundary curve of the surface S_{I_i} , we say d_{I_i} is the weight at c_j coming from S_{I_i} . The total weight at the curve c_j is $\sum_{j \in I_i} d_{I_i} = D'$ since $p': Y' \rightarrow X'$ is a degree D' cover.

Construct the set of D' matchings recursively. To construct the first matching \mathcal{N}_1 built out of surfaces in \mathcal{S} , choose a surface $S_{I_i} \in \mathcal{S}$. The surface S_{I_i} is incident to curves $\{c_j \mid j \in I_i\}$. View the underlying graph of X as a bipartite graph with white vertices corresponding to branching curves and black vertices corresponding to surfaces with boundary. Let c be a curve corresponding to a white vertex at distance two (in the graph) from c_j for some $j \in I_i$ and at distance three (in the graph) from the black vertex corresponding to S_{I_i} , if such a curve exists. There is a surface in \mathcal{S} incident to c and not to c_j . That is, both curves c and c_j have total weight D' coming from a collection of surfaces incident to these curves. Some of the weight at c_j comes from S_{I_i} , so the (unique) surface S incident to both c_j and c has weight less than D' . Thus, some of

the weight at c comes from a surface S_{I_k} different from S . Let $S_{I_i} \cup S_{I_k} \in \mathcal{N}_1$. Since the underlying graph of X is a tree, this selection may be continued (finitely many times) to build the matching \mathcal{N}_1 of surfaces contained in S .

Build the remaining $D' - 1$ matchings $\mathcal{N}_2, \dots, \mathcal{N}_{D'}$ similarly. First form the set S_1 by removing from S one copy of each surface contained in \mathcal{N}_1 . Then, the matching \mathcal{N}_2 may be chosen analogously to \mathcal{N}_1 , where each branching curve in X' now has weight $D' - 1$ associated to it. This process may be continued to build the D' matchings $\mathcal{N}_1, \dots, \mathcal{N}_{D'}$. Furthermore, by construction and since \mathcal{M}'_1 is a maximal matching of X' ,

$$\sum_{i=1}^r d_{I_i} \cdot \chi(S_{I_i}) = \chi(\mathcal{N}_1) + \dots + \chi(\mathcal{N}_{D'}) \leq D' \chi(\mathcal{M}'_1),$$

concluding the proof of the claim. □

Thus,

$$D\chi(\mathcal{M}_1) = \chi(f(p^{-1}(\mathcal{M}_1))) = \sum_{i=1}^r d_{I_i} \cdot \chi(S_{I_i}) \leq D' \chi(\mathcal{M}'_1),$$

where the last inequality is given by the claim above. Since $D\chi(\mathcal{M}_1) \geq D' \chi(\mathcal{M}'_1)$ by assumption, $D\chi(\mathcal{M}_1) = D' \chi(\mathcal{M}'_1)$. Each branching curve in Y' is incident to exactly s connected surfaces in $f(p^{-1}(\mathcal{M}_1)) \cup \dots \cup f(p^{-1}(\mathcal{M}_s))$. Thus,

$$p'(f(p^{-1}(\mathcal{M}_1)) \cup \dots \cup f(p^{-1}(\mathcal{M}_s)))$$

must have in its image at least s surfaces in the matchings $\mathcal{M}'_1, \dots, \mathcal{M}'_n$; so, $t \geq s$. Therefore, $D\chi(\mathcal{M}_i) = D' \chi(\mathcal{M}'_i)$ for $1 \leq i \leq s = t$ and $\bigcup_{i=1}^s f(p^{-1}(\mathcal{M}_i)) = \bigcup_{i=1}^s p^{-1}(\mathcal{M}_i)$. So, the above argument can be repeated (at most finitely many times) with the remaining matchings in X and X' of strictly smaller Euler characteristic, proving the proposition. □

7 Quasi-isometry versus abstract commensurability

Theorem 7.1 *There are infinitely many abstract commensurability classes within every quasi-isometry class in \mathcal{C} that contains a group with JSJ graph a tree.*

Proof Let \mathcal{Q} be a quasi-isometry class in \mathcal{C} that contains a group with JSJ graph a tree T . Let $G \in \mathcal{Q}$ be a geometric amalgam of free groups with JSJ graph T such that $G \cong \pi_1(X)$ for some 2-dimensional hyperbolic P -manifold X . Choose a subsurface

$\Sigma \subset X$. Exchange Σ with a surface Σ_g with the same number of boundary components as Σ and with genus $g \geq 1$. Let X_g denote the resulting 2-dimensional hyperbolic P -manifold, and let $G_g \cong \pi_1(X_g)$. The groups G_g and G are quasi-isometric for every $g \geq 1$, but G_g and G_h are abstractly commensurable if and only if $g = h$. Indeed, if not all branching curves of X_g have the same degree, let v_g be the block Euler characteristic vector of G_g , and if all branching curves of X_g have the same degree, let v_g be the matching Euler characteristic vector of G_g . Changing the Euler characteristic of one subsurface of X_g changes the commensurability type of the vector v_g , hence the claim follows from Propositions 6.3 and 6.8. \square

Remark 7.2 The proof above applies to any quasi-isometry class in \mathcal{C} for which the degree refinement contains more than one row coming from maximal hanging Fuchsian vertex groups, since in this case the block Euler characteristic vector has more than one entry.

References

- [1] **D Angluin**, *Local and global properties in networks of processors*, from “Proceedings of the twelfth annual ACM Symposium on Theory of Computing” (R E Miller, S Ginsburg, W A Burkhard, R J Lipton, editors), ACM, New York (1980) 82–93
- [2] **J Behrstock, M F Hagen, A Sisto**, *Quasiflats in hierarchically hyperbolic spaces*, preprint (2017) arXiv
- [3] **J Behrstock, M F Hagen, A Sisto**, *Thickness, relative hyperbolicity, and randomness in Coxeter groups*, *Algebr. Geom. Topol.* 17 (2017) 705–740 MR
- [4] **J A Behrstock, W D Neumann**, *Quasi-isometric classification of graph manifold groups*, *Duke Math. J.* 141 (2008) 217–240 MR
- [5] **B H Bowditch**, *Cut points and canonical splittings of hyperbolic groups*, *Acta Math.* 180 (1998) 145–186 MR
- [6] **K S Brown**, *Cohomology of groups*, *Graduate Texts in Mathematics* 87, Springer (1982) MR
- [7] **M Burger, S Mozes**, *Lattices in product of trees*, *Inst. Hautes Études Sci. Publ. Math.* 92 (2000) 151–194 MR
- [8] **P-E Caprace**, *Buildings with isolated subspaces and relatively hyperbolic Coxeter groups*, *Innov. Incidence Geom.* 10 (2009) 15–31 MR Correction in 14 (2015) 77–79
- [9] **C H Cashen, A Martin**, *Quasi-isometries between groups with two-ended splittings*, *Math. Proc. Cambridge Philos. Soc.* 162 (2017) 249–291 MR

- [10] **A Casson, D Jungreis**, *Convergence groups and Seifert fibered 3-manifolds*, Invent. Math. 118 (1994) 441–456 MR
- [11] **R Charney, K Ruane, N Stambaugh, A Vijayan**, *The automorphism group of a graph product with no SIL*, Illinois J. Math. 54 (2010) 249–262 MR
- [12] **R Charney, H Sultan**, *Contracting boundaries of CAT(0) spaces*, J. Topol. 8 (2015) 93–117 MR
- [13] **J Crisp, L Paoluzzi**, *Commensurability classification of a family of right-angled Coxeter groups*, Proc. Amer. Math. Soc. 136 (2008) 2343–2349 MR
- [14] **C Cunningham, A Eisenberg, A Piggott, K Ruane**, *Recognizing right-angled Coxeter groups using involutions*, Pacific J. Math. 284 (2016) 41–77 MR
- [15] **P Dani, E Stark, A Thomas**, *Commensurability for certain right-angled Coxeter groups and geometric amalgams of free groups*, Groups Geom. Dyn. 12 (2018) 1273–1341 MR
- [16] **P Dani, A Thomas**, *Divergence in right-angled Coxeter groups*, Trans. Amer. Math. Soc. 367 (2015) 3549–3577 MR
- [17] **P Dani, A Thomas**, *Bowditch’s JSJ tree and the quasi-isometry classification of certain Coxeter groups*, J. Topol. 10 (2017) 1066–1106 MR
- [18] **M W Davis**, *The geometry and topology of Coxeter groups*, London Mathematical Society Monographs Series 32, Princeton Univ. Press (2008) MR
- [19] **C Druţu, M Kapovich**, *Geometric group theory*, American Mathematical Society Colloquium Publications 63, Amer. Math. Soc., Providence, RI (2018) MR
- [20] **M J Dunwoody**, *The accessibility of finitely presented groups*, Invent. Math. 81 (1985) 449–457 MR
- [21] **D Gabai**, *Convergence groups are Fuchsian groups*, Ann. of Math. 136 (1992) 447–510 MR
- [22] **P Haïssinsky, L Paoluzzi, G Walsh**, *Boundaries of Kleinian groups*, Illinois J. Math. 60 (2016) 353–364 MR
- [23] **M Haulmark, H Nguyen, H C Tran**, *On boundaries of relatively hyperbolic right-angled Coxeter groups*, preprint (2017) arXiv
- [24] **M Kapovich**, *Hyperbolic manifolds and discrete groups*, Progress in Mathematics 183, Birkhäuser, Boston, MA (2001) MR
- [25] **J-F Lafont**, *Diagram rigidity for geometric amalgamations of free groups*, J. Pure Appl. Algebra 209 (2007) 771–780 MR
- [26] **F T Leighton**, *Finite common coverings of graphs*, J. Combin. Theory Ser. B 33 (1982) 231–238 MR

- [27] **I Levcovitz**, *A quasi-isometry invariant and thickness bounds for right-angled Coxeter groups*, preprint (2017) arXiv
- [28] **I Levcovitz**, *Divergence of CAT(0) cube complexes and Coxeter groups*, *Algebr. Geom. Topol.* 18 (2018) 1633–1673 MR
- [29] **W Malone**, *Topics in geometric group theory*, PhD thesis, The University of Utah (2010) MR Available at <https://search.proquest.com/docview/305212500>
- [30] **P Papasoglu, K Whyte**, *Quasi-isometries between groups with infinitely many ends*, *Comment. Math. Helv.* 77 (2002) 133–144 MR
- [31] **J G Ratcliffe**, *Foundations of hyperbolic manifolds*, Graduate Texts in Mathematics 149, Springer (1994) MR
- [32] **E Rips, Z Sela**, *Cyclic splittings of finitely presented groups and the canonical JSJ decomposition*, *Ann. of Math.* 146 (1997) 53–109 MR
- [33] **P Scott, T Wall**, *Topological methods in group theory*, from “Homological group theory” (C T C Wall, editor), London Math. Soc. Lecture Note Ser. 36, Cambridge Univ. Press (1979) 137–203 MR
- [34] **E Stark**, *Abstract commensurability and quasi-isometry classification of hyperbolic surface group amalgams*, *Geom. Dedicata* 186 (2017) 39–74 MR
- [35] **P Tukia**, *Homeomorphic conjugates of Fuchsian groups*, *J. Reine Angew. Math.* 391 (1988) 1–54 MR

*Department of Mathematics, Technion - Israel Institute of Technology
Haifa, Israel*

`emily.stark@campus.technion.ac.il`

Received: 19 November 2017 Revised: 31 July 2018