

AG
T

*Algebraic & Geometric
Topology*

Volume 24 (2024)

**Vietoris–Rips persistent homology, injective metric spaces,
and the filling radius**

SUNHYUK LIM

FACUNDO MÉMOLI

OSMAN BERAT OKUTAN



Vietoris–Rips persistent homology, injective metric spaces, and the filling radius

SUNHYUK LIM

FACUNDO MÉMOLI

OSMAN BERAT OKUTAN

In the applied algebraic topology community, the persistent homology induced by the Vietoris–Rips simplicial filtration is a standard method for capturing topological information from metric spaces. We consider a different, more geometric way of generating persistent homology of metric spaces which arises by first embedding a given metric space into a larger space and then considering thickenings of the original space inside this ambient metric space. In the course of doing this, we construct an appropriate category for studying this notion of persistent homology and show that, in a category-theoretic sense, the standard persistent homology of the Vietoris–Rips filtration is isomorphic to our geometric persistent homology provided that the ambient metric space satisfies a property called injectivity.

As an application of this isomorphism result, we are able to precisely characterize the type of intervals that appear in the persistence barcodes of the Vietoris–Rips filtration of any compact metric space and also to give succinct proofs of the characterization of the persistent homology of products and metric gluings of metric spaces. Our results also permit proving several bounds on the length of intervals in the Vietoris–Rips barcode by other metric invariants, for example the notion of spread introduced by M Katz.

As another application, we connect this geometric persistent homology to the notion of filling radius of manifolds introduced by Gromov and show some consequences related to the homotopy type of the Vietoris–Rips complexes of spheres, which follow from work of Katz, and characterization (rigidity) results for spheres in terms of their Vietoris–Rips persistence barcodes, which follow from work of F Wilhelm.

Finally, we establish a sharp version of Hausmann’s theorem for spheres which may be of independent interest.

53C23, 55N31

1. Introduction	1020
2. Background	1027
3. Persistence via metric pairs	1033
4. Isomorphism and stability	1035
5. Application: endpoints of intervals in $\text{barc}_k^{\text{VR}}(X)$	1039

6. Application: products and metric gluings	1042
7. Application: homotopy types of $\text{VR}_r(X)$ for $X \in \{\mathbb{S}^1, \mathbb{S}^2, \mathbb{C}\mathbb{P}^n\}$	1045
8. Application: hyperbolicity and persistence	1053
9. Application: the filling radius, spread, and persistence	1054
Appendix	1082
References	1096

1 Introduction

The simplicial complex nowadays referred to as the Vietoris–Rips complex was originally introduced by Leopold Vietoris in the early 1900s in order to build a homology theory for metric spaces [80]. Later, Eliyahu Rips and Mikhail Gromov [47] both utilized the Vietoris–Rips complex in their study of hyperbolic groups.

Given a metric space (X, d_X) and $r > 0$, the r -Vietoris–Rips complex $\text{VR}_r(X)$ has X as its vertex set, and simplices are all nonempty finite subsets of X whose diameter is strictly less than r . In [50], Hausmann showed that the Vietoris–Rips complex can be used to recover the homotopy type of a Riemannian manifold M . More precisely, he introduced a quantity $r(M)$ (a certain variant of the injectivity radius), and proved that $\text{VR}_r(M)$ is homotopy equivalent to M for any $r \in (0, r(M))$.

Since $\text{VR}_r(X) \subseteq \text{VR}_s(X)$ for all $0 < r \leq s$, this construction then naturally induces the so-called Vietoris–Rips simplicial filtration of X , denoted by $\text{VR}_*(X) = (\text{VR}_r(X))_{r>0}$. By applying the simplicial homology functor (with coefficients in a given field) one obtains a *persistence module*: a directed system $V_* = (V_r \xrightarrow{v_{rs}} V_s)_{r \leq s}$ of vector spaces and linear maps (induced by the simplicial inclusions). The persistent module obtained from $\text{VR}_*(X)$ is referred to as the Vietoris–Rips persistent homology of X .

The notion of *persistent homology* arose from work by Ferri, Frosini, Landi, Verri and Uras, [39; 40; 41; 79], Robins [73], and Delfinado, Edelsbrunner, Letscher and Zomorodian [27; 36]. After that, considering the persistent homology of the simplicial filtration induced from Vietoris–Rips complexes was a natural next step. For example, Carlsson and de Silva [76] applied Vietoris–Rips persistent homology to topological estimation from point cloud data, and Ghrist and de Silva applied it to sensor networks [77]. Its efficient computation has been addressed by Bauer in [11]. A more detailed historical survey and review of general ideas related to persistent homology can be found in Carlsson [16] and Edelsbrunner and Harer [34; 35].

The persistent homology of the Vietoris–Rips filtration of a metric space provides a functorial way¹ of assigning a persistence module to a metric space. Persistence modules are usually represented, up to

¹Where for metric spaces X and Y morphisms are given by 1-Lipschitz maps $\phi: X \rightarrow Y$, and for persistence modules V_* and W_* morphisms are systems of linear maps $v_* = (v_r: V_r \rightarrow W_r)_{r>0}$ making all squares commute.

isomorphism, as *barcodes*: multisets of intervals each representing the lifetime of a homological feature. In this paper, the barcodes are associated to Vietoris–Rips filtrations, and these barcodes will be denoted by $\text{barc}_*^{\text{VR}}(\cdot)$. In the areas of topological data analysis (TDA) and computational topology, this type of persistent homology is a widely used tool for capturing topological properties of a dataset [11; 76; 77].

Despite its widespread use in applications, little is known in terms of relationships between Vietoris–Rips barcodes and other metric invariants. For instance, whereas it is obvious that the right endpoint of any interval I in $\text{barc}_*^{\text{VR}}(X)$ must be bounded above by the diameter of X , there has been little progress in relating the length of bars to other invariants such as volume (or Hausdorff measure) or curvature (whenever defined).

Contributions One main contribution of this paper is establishing a precise relationship (ie a filtered homotopy equivalence) between the Vietoris–Rips simplicial filtration of a metric space and a more geometric (or extrinsic) way of assigning a persistence module to a metric space, which consists of first isometrically embedding it into a larger space and then considering the persistent homology of the filtration obtained by considering the resulting system of nested neighborhoods of the original space inside this ambient space. These neighborhoods, being also metric (and thus topological) spaces, permit giving a short proof of the Künneth formula for Vietoris–Rips persistent homology.

A particularly nice ambient space inside which one can isometrically embed any given compact metric space (X, d_X) is $L^\infty(X)$; the Banach space consisting of all the bounded real-valued functions on X , together with the ℓ^∞ -norm. The embedding is given by $X \ni x \mapsto d_X(x, \cdot)$: it is indeed immediate that this embedding is isometric since $\|d_X(x, \cdot) - d_X(x', \cdot)\|_\infty = d_X(x, x')$ for all $x, x' \in X$. This is usually called the *Kuratowski* isometric embedding of X .

That the Vietoris–Rips filtration of a *finite* metric space produces persistence modules isomorphic to the sublevel set filtration of the distance function

$$\delta_X: L^\infty(X) \rightarrow \mathbb{R}_{\geq 0}, \quad L^\infty(X) \ni f \mapsto \inf_{x \in X} \|d_X(x, \cdot) - f\|_\infty,$$

was already used by Chazal, Cohen-Steiner, Guibas, Mémoli and Oudot [19] in order to establish the Gromov–Hausdorff stability of Vietoris–Rips persistence of finite metric spaces.

In this paper we significantly generalize this point of view by proving an isomorphism theorem between the Vietoris–Rips filtration of *any* compact metric space X and its *Kuratowski filtration*,

$$(\delta_X^{-1}([0, r)))_{r>0},$$

a fact which immediately implies that their persistent homologies are isomorphic.

We do so by constructing a filtered homotopy equivalence between the Vietoris–Rips filtration and the sublevel set filtration induced by δ_X . Furthermore, we prove that $L^\infty(X)$ above can be replaced with *any injective (or equivalently, hyperconvex) metric space* — see Dress, Huber, Koolen, Moulton and Spillner [31] and Lang [60] — admitting an isometric embedding of X :

Theorem 4.1 (isomorphism theorem) *Let $\eta: \text{Met} \rightarrow \text{PMet}$ be a metric homotopy pairing (for example, the Kuratowski functor). Then $B_* \circ \eta: \text{Met} \rightarrow \text{hTop}_*$ is naturally isomorphic to VR_{2*} .*

Above, Met is the category of compact metric spaces with 1–Lipschitz maps, PMet is the category of metric pairs (X, E) where $X \hookrightarrow E$ isometrically, E is an injective metric space, a metric homotopy pairing is any right adjoint to the forgetful functor (eg the Kuratowski embedding), and B_* is the functor sending a pair (X, E) to the filtration $(B_r(X, E))_{r>0}$; see Sections 3 and 4.

A certain well known construction which involves the isometric embedding $X \hookrightarrow L^\infty(X)$ is that of the *filling radius* of a Riemannian manifold [46] defined by Gromov in the early 1980s. In that construction, given an n –dimensional Riemannian manifold M , one studies for each $r > 0$ the inclusion

$$\iota_r: M \hookrightarrow \delta_M^{-1}([0, r])$$

and seeks the infimal $r > 0$ such that the map induced by ι_r at degree n homology level annihilates the fundamental class $[M]$ of M . This infimal value defines $\text{FillRad}(M)$, the filling radius of M . In this paper, we will consider a version of the filling radius associated to the fundamental class with coefficients in a given field \mathbb{F} which will be denoted by $\text{FillRad}(M; \mathbb{F})$.

Via our isomorphism theorem we are able prove that there always exists a bar in the barcode of a manifold whose length is exactly twice its filling radius:

Proposition 9.28 *Let M be a closed connected n –dimensional Riemannian manifold. Then*

$$(0, 2 \text{FillRad}(M; \mathbb{F})] \in \text{barc}_n^{\text{VR}}(M; \mathbb{F}),$$

where \mathbb{F} is an arbitrary field if M is orientable, and $\mathbb{F} = \mathbb{Z}_2$ if M is nonorientable. Moreover, this is the **unique** interval in $\text{barc}_n^{\text{VR}}(M; \mathbb{F})$ starting at 0, and $\text{FillRad}(M; \mathbb{F}) \leq \text{FillRad}(M)$ whenever M is orientable.

As a step in his proof of the celebrated systolic inequality, Gromov proved in [46] that the filling radius satisfies $\text{FillRad}(M) \leq c_n(\text{vol}(M))^{1/n}$ for any n –dimensional complete manifold M (where c_n is a universal constant, and Nabutovsky recently proved that c_n can be improved to $\frac{n}{2}$ [69, Theorem 1.2]). This immediately yields a relationship between $\text{barc}_*^{\text{VR}}(M)$ and the volume of M . The fact that the filling radius has already been connected to a number of other metric invariants also permits importing these results to the setting of Vietoris–Rips barcodes (see Section 9.3). This in turn permits relating $\text{barc}_*^{\text{VR}}(M)$ with other metric invariants of M , a research thread which has remained mostly unexplored. See Proposition 9.46 for a certain generalization of Proposition 9.28 to ANR spaces.

In a series of papers [54; 55; 56; 57], M Katz studied both the problem of computing the filling radius of spheres (endowed with the geodesic distance) and complex projective spaces, and the problem of understanding the change in homotopy type of $\delta_X^{-1}([0, r])$ when $X \in \{\mathbb{S}^1, \mathbb{S}^2\}$ as r increases.

Of central interest in topological data analysis has been the question of providing a complete characterization of the Vietoris–Rips persistence barcodes of spheres of different dimensions. Despite the existence

of a complete answer to the question for the case of \mathbb{S}^1 due to Adamaszek and Adams [1], relatively little is known for higher-dimensional spheres. In [2], Adamaszek, Adams and Frick consider a variant of the Vietoris–Rips filtration, which they call Vietoris–Rips metric thickening. The authors are able to obtain information about the successive homotopy types of this filtration on spheres of different dimension — see [2, Section 5] — for a certain range of values of the scale parameter.

The authors of [2] conjecture that the open Vietoris–Rips filtration (which is the one considered in the present paper) is filtered homotopy equivalent to their open Vietoris–Rips metric thickening filtration (as a consequence their persistent homologies are isomorphic). This isomorphism was conjectured in [2, Conjecture 6.12] which was recently settled in [7, Corollary 5.10].

Our isomorphism theorem (Theorem 4.1) permits applying Katz’s results in order to provide partial answers to the questions mentioned above and also to elucidate other properties of the standard open Vietoris–Rips filtration and its associated persistence barcodes $\text{barc}_*^{\text{VR}}(\cdot)$. In addition to these results derived from our isomorphism theorem, in Section A.4, we refine certain key lemmas used in the original proof of Hausmann’s theorem [50] and establish the homotopy equivalence between $\text{VR}_r(\mathbb{S}^n)$ and \mathbb{S}^n for any $r \in (0, \arccos(-1/(n+1))]$:

Theorem 7.1 For any $n \in \mathbb{Z}_{>0}$, we have $\text{VR}_r(\mathbb{S}^n) \simeq \mathbb{S}^n$ for any $r \in (0, \arccos(-1/(n+1))]$.

Note that this is indeed an improvement since, for spheres, Hausmann’s quantity satisfies

$$r(\mathbb{S}^n) = \frac{\pi}{2} < \arccos\left(-\frac{1}{n+1}\right).$$

This improvement is obtained with the aid of a refined version of Jung’s theorem (see Theorem A.8) which we also establish. Theorem 7.1 also improves upon [54, Remark, page 508]; see the discussion in Section 7.1.

In the direction of characterizing the Vietoris–Rips barcodes of spheres, we are able to provide a complete characterization of the homotopy types of the Vietoris–Rips complexes of round spheres $\mathbb{S}^{n-1} \subset \mathbb{R}^n$ endowed with the (restriction of the) ℓ^∞ -metric, which we denote by \mathbb{S}_∞^{n-1} . Two critical observations are that

- (1) the r -thickening of \mathbb{S}_∞^{n-1} inside of \mathbb{R}_∞^n (\mathbb{R}^n equipped with the ℓ^∞ -metric) is homotopy equivalent to the r -thickening of \mathbb{S}_∞^{n-1} inside of \mathbb{D}_∞^n (n -dimensional unit ball with ℓ^∞ -metric), and
- (2) it is easier to find the precise shape of the latter.

Theorem 7.19 For any $n \in \mathbb{Z}_{>0}$ and $r > 0$,

$$B_r(\mathbb{S}_\infty^{n-1}, \mathbb{R}_\infty^n) \simeq B_r(\mathbb{S}_\infty^{n-1}, \mathbb{D}_\infty^n) = \mathbb{D}_\infty^n \setminus V_{n,r},$$

where

$$V_{n,r} := \bigcap_{(p_1, \dots, p_n) \in \{r, -r\}^n} \left\{ (x_1, \dots, x_n) \in \mathbb{R}^n \mid \sum_{i=1}^n (x_i - p_i)^2 \leq 1 \right\}.$$

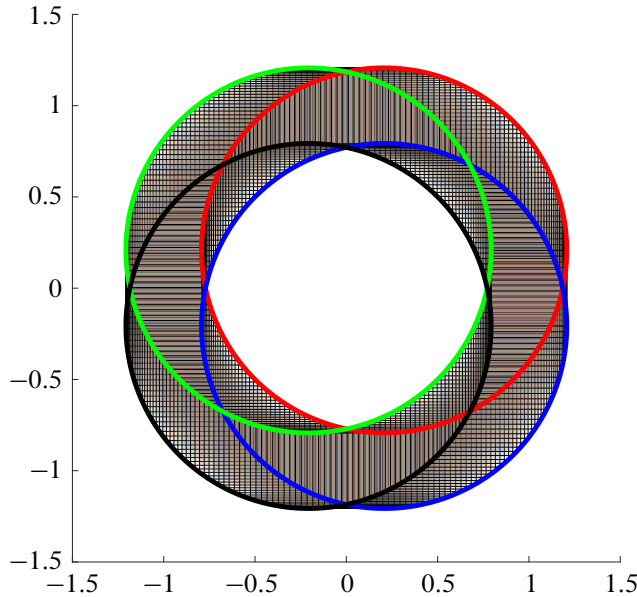


Figure 1: $B_r(\mathbb{S}_\infty^1, \mathbb{D}_\infty^2) = \mathbb{D}_\infty^2 \setminus V_{2,r}$ in the plane \mathbb{R}_∞^2 . The set $V_{2,r}$ is given by the intersection of the four closed disks shown in the figure. See Theorem 7.19.

In particular, for $r > 1/\sqrt{n}$ we have $V_{n,r} = \emptyset$, so $B_r(\mathbb{S}_\infty^{n-1}, \mathbb{D}_\infty^n) = \mathbb{D}_\infty^n$. As a result, $B_r(\mathbb{S}_\infty^{n-1}, \mathbb{R}_\infty^n)$ is homotopy equivalent to \mathbb{S}^{n-1} for $r \in (0, 1/\sqrt{n}]$ and contractible for $r > 1/\sqrt{n}$ (see Figure 1 for an illustration of the case $n = 2$).

From a different perspective, by appealing to our isomorphism theorem, it is also possible to apply certain results from quantitative topology to the problem of characterization of metric spaces by their Vietoris–Rips persistence barcodes. In applied algebraic topology, a general question of interest is:

Question 1 Assume X and Y are compact metric spaces such that $\text{barc}_k^{\text{VR}}(X; \mathbb{F}) = \text{barc}_k^{\text{VR}}(Y; \mathbb{F})$ for all $k \in \mathbb{Z}_{\geq 0}$. Then how similar are X and Y (in a suitable sense)?

It follows from work by Wilhelm [83] and Yokota [84] on rigidity properties of spheres via the filling radius, and the isomorphism theorem (Theorem 4.1), that any n -dimensional Alexandrov space without boundary and sectional curvature bounded below by 1 such that its Vietoris–Rips persistence barcode agrees with that of \mathbb{S}^n must be isometric to \mathbb{S}^n . This provides some new information about the inverse problem for persistent homology; see Curry [26] and Gameiro, Hiraoka and Obayashi [43]. More precisely, and for example, we obtain the corollary below, where for an n -dimensional manifold M , $I_{n,\mathbb{F}}^M$ denotes the persistence interval in $\text{barc}_n^{\text{VR}}(M; \mathbb{F})$ induced by the fundamental class of M (see Proposition 9.28):

Corollary 9.51 ($\text{barc}_*^{\text{VR}}$ rigidity for spheres) For any closed connected n -dimensional Riemannian manifold M with sectional curvature $K_M \geq 1$,

$$(1) \quad I_{n,\mathbb{F}}^M \subseteq I_n^{\mathbb{S}^n};$$

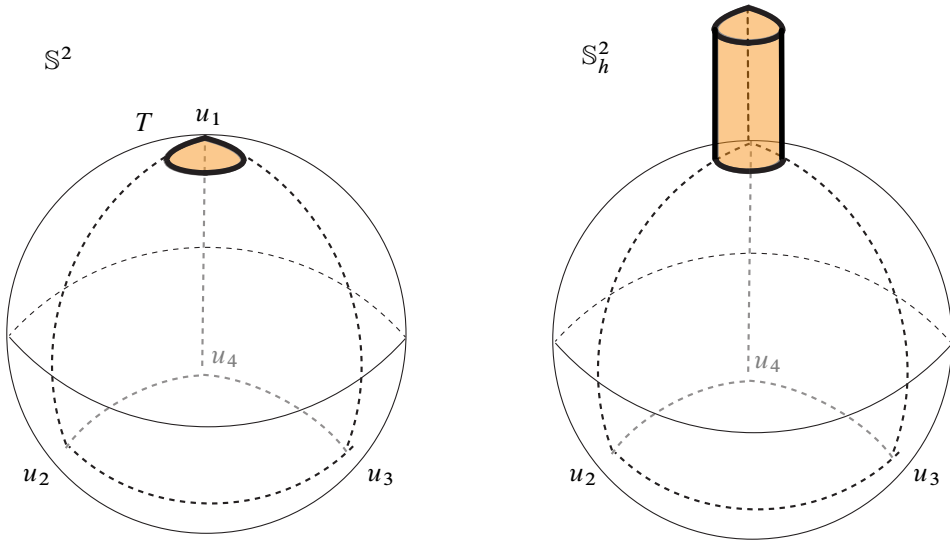


Figure 2: The construction of the one parameter family of surfaces S_h^2 with the same filling radius as S^2 . The points u_1, u_2, u_3 and u_4 are vertices of a regular geodesic tetrahedron, and T is a small geodesic triangle, which is used to form a cylinder of height h (left figure). See [Example 9.54](#) for details.

- (2) if $I_{n, \mathbb{F}}^M = I_n^{\mathbb{S}^n}$ then M is isometric to \mathbb{S}^n ;
- (3) there exists $\epsilon_n > 0$ such that if $\text{length}(I_n^{\mathbb{S}^n}) - \epsilon_n < \text{length}(I_{n, \mathbb{F}}^M)$, then M is diffeomorphic to \mathbb{S}^n ;
- (4) if $\text{length}(I_{n, \mathbb{F}}^M) > \frac{\pi}{3}$, then M is a twisted n -sphere (and, in particular, homotopy equivalent to the n -sphere).

The lower bound on sectional curvature is crucial — in [Example 9.54](#) we construct a one parameter family of deformations of the sphere \mathbb{S}^2 with constant filling radius (see [Figure 2](#)).

See [Propositions 9.56](#) and [9.57](#) for additional related results, and see [Question 3](#) for a relaxation of [Question 1](#).

Lastly, let us address a variant of [Question 1](#) concerning the case when $\text{barc}_k^{\text{VR}}(X; \mathbb{F})$ and $\text{barc}_k^{\text{VR}}(Y; \mathbb{F})$ are possibly different. Recall that there is the bottleneck distance d_B measuring the dissimilarity between two barcodes (see [Definition 2.12](#)). One of the fundamental results of topological data analysis is the following stability theorem (see [Theorems 2.13](#) and [2.14](#)): for any field \mathbb{F} ,

$$(1) \quad \ell^{\text{VR}}(X, Y) := \frac{1}{2} \sup_k d_B(\text{barc}_k^{\text{VR}}(X; \mathbb{F}), \text{barc}_k^{\text{VR}}(Y; \mathbb{F})) \leq d_{\text{GH}}(X, Y).$$

Therefore, in order to understand how strong the Vietoris–Rips barcode is as a geometric invariant, it is natural to ask the following question:

Question 2(i) How good is $\ell^{\text{VR}}(X, Y)$ as an estimator of $d_{\text{GH}}(X, Y)$?

For example, one might ask whether the inequality (1) is tight or not. What we know is that this is indeed not tight when X and Y are spheres of different dimension since, in Corollary 9.39, we show that $\ell^{\text{VR}}(\mathbb{S}^m, \mathbb{S}^n) = \frac{1}{4} \arccos(-1/(m+1))$ for any $0 < m < n$. However, in [63, Theorem B] it is proved that $\frac{1}{2} \arccos(-1/(m+1))$ (ie twice $\ell^{\text{VR}}(\mathbb{S}^m, \mathbb{S}^n)$) lower bounds $d_{\text{GH}}(\mathbb{S}^m, \mathbb{S}^n)$ for any $0 < m < n$ and that this bound is tight.

Now, let us ask the following question:

Question 2(ii) For what type of spaces X and Y does inequality (1) become tight?

Or, one might ask the following question too:

Question 2(iii) For what type of spaces X and Y do we have the reverse stability inequality

$$d_{\text{GH}}(X, Y) \leq C \cdot \ell^{\text{VR}}(X, Y)$$

for some $C > 0$?

Note that the reverse stability inequality mentioned in Question 2(iii) cannot hold in general. For example, if we let $X = \mathbb{S}^1$ and Y be \mathbb{S}^1 attached with disjoint trees of arbitrary length (regarded as a geodesic metric space), then we can prove $\ell^{\text{VR}}(X, Y) = 0$ whereas $d_{\text{GH}}(X, Y)$ can be arbitrarily large (depending on the length of the attached trees). See Figure 10 and the beginning of Section 9.4 for a more detailed explanation.

The authors hope that this paper can help bridge between the applied algebraic topology and the quantitative topology communities.

Organization In Section 2, we provide some necessary definitions and results about Vietoris–Rips filtration, persistence, and injective metric spaces.

In Section 3, we construct a category of metric pairs. This category will be the natural setting for our extrinsic persistent homology. Although being functorial is trivial in the case of Vietoris–Rips persistence, the type of functoriality which one is supposed to expect in the case of metric embeddings is a priori not obvious. We address this question in Section 3 by introducing a suitable category structure.

In Section 4, we show that the Vietoris–Rips filtration can be (categorically) seen as a special case of persistent homology obtained through metric embeddings via the isomorphism theorem (Theorem 4.1). In this section, we also we also establish the stability of the filtration obtained via metric embeddings.

Sections 5–9 provide applications of our isomorphism theorem to different questions.

In Section 5, we prove that any interval in persistence barcode for open Vietoris–Rips filtration must have open left endpoint and closed right endpoint.

In Section 6, we obtain new proofs of formulas about the Vietoris–Rips persistence of metric products and metric gluings of metric spaces.

In [Section 7](#), we prove a number of results concerning the homotopy types of Vietoris–Rips filtrations of spheres and complex projective spaces. Also, we fully compute the homotopy types of Vietoris–Rips filtration of spheres with ℓ^∞ -norm.

In [Section 8](#), we reprove Rips and Gromov’s result about the contractibility of the Vietoris–Rips complex of hyperbolic geodesic metric spaces, by using our method consisting of isometric embeddings into injective metric spaces. As a result, we will be able to bound the length of intervals in the Vietoris–Rips persistence barcode by the hyperbolicity of the underlying space.

In [Section 9](#), we give some applications of our ideas to the filling radius of Riemannian manifolds and also study consequences related to the characterization of spheres by their persistence barcodes and some generalizations and novel stability properties of the filling radius.

The [appendix](#) contains relegated proofs and some background material.

Acknowledgements We thank Prof. Henry Adams and Dr Johnathan Bush for very useful feedback about a previous version of this article. We also thank Prof. Mikhail Katz and Prof. Michael Lesnick for explaining to us some aspects of their work. Finally, we thank Dr Qingsong Wang for bringing to our attention the paper [\[74\]](#), which was critical for establishing [Theorem 2.9](#).

This research was supported by NSF grants DMS-1723003, CCF-1740761, and CCF-1526513.

2 Background

In this section we cover the background needed for proving our main results. We alert readers that, in this paper, the same notation can mean either a simplicial complex itself or its geometric realization, interchangeably. The precise meaning will be made clear in each context.

2.1 Vietoris–Rips filtration and persistence

References for the definitions and results in this subsection are [\[12; 61\]](#).

Definition 2.1 (Vietoris–Rips filtration) Let X be a metric space and $r > 0$. The (*open*) Vietoris–Rips complex $\text{VR}_r(X)$ of X is the simplicial complex whose vertices are the points of X and whose simplices are the finite subsets of X with diameter strictly less than r . Note that if $r \leq s$, then $\text{VR}_r(X)$ is contained in $\text{VR}_s(X)$. Hence, the family $\text{VR}_*(X)$ is a filtration, called the *open Vietoris–Rips filtration* of X .

The (geometric realization of) a Vietoris–Rips filtration is a special case of the following more general notion:

Definition 2.2 (persistence family) A *persistence family* is a collection $(U_r, f_{r,s})_{r \leq s \in T}$, where T is a nonempty subset of \mathbb{R} such that, for each $r \leq s \leq t \in T$, U_r is a topological space, $f_{r,s}: U_r \rightarrow U_s$ is a continuous map, $f_{r,r} = \text{id}_{U_r}$ and $f_{s,t} \circ f_{r,s} = f_{r,t}$.

Given two persistence families $(U_*, f_{*,*})$ and $(V_*, g_{*,*})$ indexed by the same $T \subseteq \mathbb{R}$, a morphism from the first one to the second is a collection $(\phi_r)_{r \in T}$ such that for each $r \leq s$, ϕ_r is a homotopy class of maps $U_r \rightarrow V_r$, and $\phi_s \circ f_{r,s}$ is homotopy equivalent to $g_{r,s} \circ \phi_r$.

Definition 2.3 (persistence module) A persistence module $V_* = (V_r, v_{r,s})_{r \leq s \in T}$ over $T \subseteq \mathbb{R}$ is a family of \mathbb{F} -vector spaces V_r for some field \mathbb{F} with morphisms $v_{r,s}: V_r \rightarrow V_s$ for each $r \leq s$ such that

- $v_{r,r} = \text{id}_{V_r}$,
- $v_{s,t} \circ v_{r,s} = v_{r,t}$ for each $r \leq s \leq t$.

In other words, a persistence module is a functor from the poset (T, \leq) to the category of vector spaces. The morphisms $v_{*,*}$ are referred to as the structure maps of V_* .

By 0_* we will denote the zero persistence module.

For any $k \geq 0$, applying the degree k homology functor (with coefficients in a field \mathbb{F}) to a persistence family $(U_r, f_{r,s})_{r \leq s \in T}$ produces the persistence module $H_k(U_*; \mathbb{F})$ where the morphisms are those induced by $(f_{r,s})_{r \leq s}$.

Following the extant literature, we will use the term *persistent homology* of a persistence family (ie a filtration) to refer to the persistence module obtained upon applying the homology functor to this family.

In particular, one can apply the homology functor to the Vietoris–Rips filtration of a metric space X . This induces a persistence module (with $T = \mathbb{R}_{>0}$) where the morphisms are those induced by inclusions. As a persistence module, it is denoted by $\text{PH}_k(\text{VR}_*(X); \mathbb{F})$ and referred to as the *Vietoris–Rips persistent homology* of X .

Definition 2.4 (interval persistence module [17]) Given an interval I in $T \subseteq \mathbb{R}$ (ie if $r \leq s \leq t$ and $r, t \in I$, then $s \in I$) and a field \mathbb{F} , the persistence module $\mathbb{F}_*[I]$ over T is defined as follows: the vector space at r is \mathbb{F} if r is in I and zero otherwise; given $r \leq s$, the morphism corresponding to (r, s) is the identity if r and s are in I and zero otherwise.

Definition 2.5 (barcode) For a given persistence module V_* , if there is a multiset of intervals $(I_\lambda)_{\lambda \in \Lambda}$ such that V_* is isomorphic to $\bigoplus_{\lambda \in \Lambda} \mathbb{F}_*[I_\lambda]$, then that multiset is denoted by $\text{barc}(V_*)$ and referred to as a (*persistence*) *barcode* associated to the persistence module V_* (see below). Modules for which there exist such a multiset of intervals are said to be *interval decomposable*.

By Azumaya’s theorem [10], persistence barcodes, whenever they exist, are unique: any two persistence barcodes associated to a given V_* must agree (up to reordering). The most important existence result for persistence barcodes is Crawley-Boevey’s theorem [25] which guarantees the existence of a persistence barcode associated to $V_* = (V_r, v_{r,s})$ if V_* is pointwise finite-dimensional (ie $\dim(V_r) < \infty$ for all r). However, for many natural persistence modules (eg Vietoris–Rips persistent homology of a nonfinite metric

space X), it is not straightforward to verify the pointwise finite-dimensionality condition. Nevertheless, in [Theorem 2.9](#), we are able to establish that, if X is totally bounded, then its Vietoris–Rips persistent homology has a (unique) persistence barcode. This is achieved without invoking Crawley-Boevey’s theorem and instead through combining our main (isomorphism) theorem (see [Theorem 4.1](#)) with a recent result by Schmahl [74, Theorem 1.2]. The proof of [Theorem 2.9](#) can be found in the extended (arXiv) version of this paper [62, Section 5]. The totally boundedness condition is required in the theorem in order to guarantee the following notion of regularity:

Definition 2.6 (*q -tame persistence module*) A persistence module $V_* = (V_r, v_{r,s})_{r \leq s \in T}$ is said to be *q -tame* if $\text{rank}(v_{r,s}) < \infty$ whenever $r < s$.

Remark 2.7 The notions of interval decomposability and q -tameness are not equivalent. Indeed:

- (1) [22, Remark 2.9] There exist q -tame modules which are not interval decomposable.
- (2) [22, Example 3.30] There exist interval decomposable modules which are not q -tame.

Interval decomposability and q -tameness are however related through a certain notion of weak isomorphism; see [20].

Remark 2.8 In [23, Proposition 5.1], it is proved that if X is a totally bounded metric space, then $\text{PH}_k(\text{VR}_*(X); \mathbb{F})$ is q -tame for any nonnegative integer $k \geq 0$ and any field \mathbb{F} .

Theorem 2.9 [62, Section 5] *If X is a totally bounded metric space, then there is a (unique) persistence barcode associated to $\text{PH}_k(\text{VR}_*(X); \mathbb{F})$.*

If X is a totally bounded metric space, then we denote the barcode corresponding to $\text{PH}_k(\text{VR}_*(X); \mathbb{F})$ by $\text{barc}_k^{\text{VR}}(X; \mathbb{F})$.

From now on, unless specified otherwise, we will always assume that $T = \mathbb{R}$. For a given metric space and integer $k \geq 0$, we will occasionally view $V_* = \text{PH}_k(\text{VR}_*(X); \mathbb{F})$ as a persistence module defined over the whole real line \mathbb{R} by trivially extending it to the left of $0 \in \mathbb{R}$; that is, we set $V_t = 0$ for $t \leq 0$.

We now recall a notion of distance between persistence modules.

Definition 2.10 (*interleaving distance*) Two persistence modules V_* and W_* are said to be δ -interleaved for some $\delta \geq 0$ if there are natural transformations $f: V_* \rightarrow W_{*+\delta}$ and $g: W_* \rightarrow V_{*+\delta}$ such that $f \circ g$ and $g \circ f$ are equal to the structure maps $W_* \rightarrow W_{*+2\delta}$ and $V_* \rightarrow V_{*+2\delta}$, respectively. The interleaving distance between V_* and W_* is defined as

$$d_I(V_*, W_*) := \inf\{\delta \geq 0 \mid V_* \text{ and } W_* \text{ are } \delta\text{-interleaved}\}.$$

It is known [12] that d_I is an extended pseudometric on the collection of all persistence modules.

Example 2.11 Consider 0_* , the zero persistence module. Then for any finite-dimensional V_* one has

$$d_I(V_*, 0_*) = \frac{1}{2} \sup\{\text{length}(I) \mid I \in \text{barc}(V_*)\}.$$

Definition 2.12 (bottleneck distance) Let M and M' be two possibly empty multisets of intervals. A subset $P \subseteq M \times M'$ is said to be a partial matching between M and M' if it satisfies that

- every interval $I \in M$ is matched with at most one interval of M' , ie there is at most one interval $I' \in M'$ such that $(I, I') \in P$;
- every interval $I' \in M'$ is matched with at most one interval of M , ie there is at most one interval $I \in M$ such that $(I, I') \in P$.

The bottleneck distance between M and M' is defined as

$$d_B(M, M') := \inf_{P \text{ partial matching}} \text{cost}(P),$$

where

$$\text{cost}(P) := \max\left\{ \sup_{(I, I') \in P} \|I - I'\|_\infty, \sup_{I = \langle a, b \rangle \in M \sqcup M' \text{ unmatched}} \frac{1}{2}|a - b| \right\}$$

and

$$\|I - I'\|_\infty := \max\{|a - a'|, |b - b'|\}$$

for $I = \langle a, b \rangle, I' = \langle a', b' \rangle$ (here, $\langle \cdot, \cdot \rangle$ means either open or closed endpoint).

Theorem 2.13 (isometry theorem [22, Theorem 5.14]) For any two q -tame persistence modules V_* and W_* ,

$$d_B(\text{barc}(V_*), \text{barc}(W_*)) = d_I(V_*, W_*).$$

For the proof of the following theorem, see [23, Lemma 4.3] or [13; 19; 65].

Theorem 2.14 Let X and Y be compact metric spaces and \mathbb{F} be an arbitrary field. Then, for any $k \in \mathbb{Z}_{\geq 0}$,

$$d_I(\text{PH}_k(\text{VR}_*(X); \mathbb{F}), \text{PH}_k(\text{VR}_*(Y); \mathbb{F})) \leq 2d_{\text{GH}}(X, Y).$$

2.2 Injective (hyperconvex) metric spaces

A hyperconvex metric space is one where any collection of balls with nonempty pairwise intersections forces the nonempty intersection of all balls. These were studied by Aronszajn and Panitchpakdi [8] who showed that every hyperconvex space is an absolute 1-Lipschitz retract. Isbell [52] proved that every metric space admits a *smallest* hyperconvex hull (see the definition of tight span below). Dress rediscovered this concept in [30] and subsequent work provided much development in the context of phylogenetics [31; 75]. More recently, Joharinad and Jost [53] considered relaxations of hyperconvexity and related it to a certain notion of curvature applicable to general metric spaces.

References for this subsection are [30; 31; 60].

Definition 2.15 (injective metric space) A metric space E is called *injective* if for each 1–Lipschitz map $f: X \rightarrow E$ and isometric embedding of X into \tilde{X} , there exists a 1–Lipschitz map $\tilde{f}: \tilde{X} \rightarrow E$ extending f :

$$\begin{array}{ccc} X & \hookrightarrow & \tilde{X} \\ & \searrow f & \downarrow \tilde{f} \\ & & E \end{array}$$

Definition 2.16 (hyperconvex space) A metric space X is called *hyperconvex* if for every family $(x_i, r_i)_{i \in I}$ of x_i in X and $r_i \geq 0$ such that $d_X(x_i, x_j) \leq r_i + r_j$ for each $i, j \in I$, there exists a point x such that $d_X(x_i, x) \leq r_i$ for each $i \in I$.

The following lemma is easy to deduce from the definition of hyperconvex space:

Lemma 2.17 Any nonempty intersection of closed balls in hyperconvex space is hyperconvex.

For a proof of the following proposition, see [8] or [60, Proposition 2.3].

Proposition 2.18 A metric space is injective if and only if it is hyperconvex.

Moreover, every injective metric space is a contractible geodesic metric space, as one can see in Lemma 2.20 and Corollary 2.21.

Definition 2.19 (geodesic bicombing) By a *geodesic bicombing* γ on a metric space (X, d_X) , we mean a continuous map $\gamma: X \times X \times [0, 1] \rightarrow X$ such that, for every pair $(x, y) \in X \times X$, $\gamma(x, y, \cdot)$ is a geodesic from x to y with constant speed. In other words, γ satisfies

- (1) $\gamma(x, y, 0) = x$ and $\gamma(x, y, 1) = y$;
- (2) $d_X(\gamma(x, y, s), \gamma(x, y, t)) = (t - s) \cdot d_X(x, y)$ for any $0 \leq s \leq t \leq 1$.

Lemma 2.20 [60, Proposition 3.8] Every injective metric space (E, d_E) admits a geodesic bicombing γ such that, for any $x, y, x', y' \in E$ and $t \in [0, 1]$, it is:

- (1) **Conical** $d_E(\gamma(x, y, t), \gamma(x', y', t)) \leq (1 - t)d_E(x, x') + td_E(y, y')$.
- (2) **Reversible** $\gamma(x, y, t) = \gamma(y, x, 1 - t)$.
- (3) **Equivariant** $L \circ \gamma(x, y, \cdot) = \gamma(L(x), L(y), \cdot)$ for every isometry L of E .

Corollary 2.21 Every injective metric space E is contractible.

Proof By Lemma 2.20, there is a geodesic bicombing γ on E . Fix an arbitrary point $x_0 \in E$. Then restricting γ to $E \times \{x_0\} \times [0, 1]$ gives a deformation retraction of E onto x_0 ; hence E is contractible. \square

Example 2.22 For any set S , the Banach space $L^\infty(S)$ consisting of all the bounded real-valued functions on S with the ℓ^∞ –norm is injective.

Definition 2.23 For a compact metric space (X, d_X) , the map $\kappa: X \rightarrow L^\infty(X)$, defined by $x \mapsto d_X(x, \cdot)$, is an isometric embedding and it is called the *Kuratowski embedding*. Hence every compact metric space can be isometrically embedded into an injective metric space.

Let us introduce some notation which will be used throughout this paper. Suppose that X is a subspace of a metric space (E, d_E) . For any $r > 0$, let $B_r(X, E) := \{z \in E \mid \exists x \in X \text{ with } d_E(z, x) < r\}$ denote the open r -neighborhood of X in E . In particular, if $X = \{x\}$ for some $x \in E$, it is just denoted by $B_r(x, E)$, the usual open r -ball around x in E .

As one more convention, whenever there is an isometric embedding $\iota: X \hookrightarrow E$, we will use the notation $B_r(X, E)$ instead of $B_r(\iota(X), E)$. For instance, in the sequel we will use $B_r(X, L^\infty(X))$ rather than $B_r(\kappa(X), L^\infty(X))$.

Definition 2.24 For any metric space E , a nonempty subspace X , and $r > 0$, the Čech complex $\check{C}_r(X, E)$ is defined as the nerve of the open covering $\mathcal{U}_r := \{B_r(x, E) \mid x \in X\}$. In other words, $\check{C}_r(X, E)$ is the simplicial complex whose vertices are the points of X , and $\{x_0, \dots, x_n\} \subseteq X$ is a simplex in $\check{C}_r(X, E)$ if and only if $\bigcap_{i=0}^n B_r(x_i, E) \neq \emptyset$.

The following observation is simple, yet it plays an important role in our paper:

Proposition 2.25 If (E, d_E) is an injective metric space and $\emptyset \neq X \subseteq E$ then, for any $r > 0$,

$$\check{C}_r(X, E) = \text{VR}_{2r}(X).$$

Remark 2.26 Proposition 2.25 is optimal in the sense that if $\check{C}_r(X, E) = \text{VR}_{2r}(X)$ holds true for all $\emptyset \neq X \subseteq E$, then this condition itself resembles hyperconvexity of E (see Definition 2.16).

Also note that Proposition 2.25 is a generalization of both [45, Lemma 4] and [19, Lemma 2.9] in that those papers only consider the case when X is finite and $E = \ell^\infty(X)$.

Proof of Proposition 2.25 Because of the triangle inequality, it is obvious that $\check{C}_r(X, E)$ is a subcomplex of $\text{VR}_{2r}(X)$. Now, fix an arbitrary simplex $\{x_0, \dots, x_n\} \in \text{VR}_{2r}(X)$. Then $d_E(x_i, x_j) < 2r$ for any $i, j = 0, \dots, n$. Since E is hyperconvex, by Proposition 2.18, there exists $\bar{x} \in E$ such that $d_X(x_i, \bar{x}) < r$ for any $i = 0, \dots, n$ (note that, since $\{x_0, \dots, x_n\}$ is finite, one can use $<$ instead of \leq when invoking the hyperconvexity property). Therefore, $\{x_0, \dots, x_n\} \in \check{C}_r(X, E)$. Hence $\text{VR}_{2r}(X)$ is a subcomplex of $\check{C}_r(X, E)$. \square

In particular, Proposition 2.25 implies the following result:

Proposition 2.27 Let X be a subspace of an injective metric space (E, d_E) . Then, for any $r > 0$, the Vietoris–Rips complex $\text{VR}_{2r}(X)$ is homotopy equivalent to $B_r(X, E)$.

The proof of Proposition 2.27 will use the following lemma:

Lemma 2.28 *In an injective metric space E , every nonempty intersection of open balls is contractible.*

Proof Let γ be a geodesic bicombing on E , whose existence is guaranteed by Lemma 2.20. Then, for each x, y, x', y' in E and t in $[0, 1]$,

$$d_E(\gamma(x, y, t), \gamma(x', y', t)) \leq (1 - t)d_E(x, x') + td_E(y, y').$$

In particular, by letting $x' = y' = z$, we obtain

$$d_E(\gamma(x, y, t), z) \leq \max\{d_E(x, z), d_E(y, z)\}$$

for any $t \in [0, 1]$. Hence, if x and y are contained in an open ball with center z , then $\gamma(x, y, t)$ is contained in the same ball for each t in $[0, 1]$. Therefore, if U is a nonempty intersection of open balls in E , then γ restricts to $U \times U \times [0, 1] \rightarrow U$, which implies that U is contractible. \square

Proof of Proposition 2.27 Let $\mathcal{U}_r := \{B_r(x, E) \mid x \in X\}$. By Lemma 2.28, \mathcal{U}_r is a good cover of $B_r(X, E)$. Hence, by the nerve lemma [49, Corollary 4G.3], $B_r(X, E)$ is homotopy equivalent to the nerve of \mathcal{U}_r , which is the same as the Čech complex $\check{C}_r(X, E)$. By Proposition 2.25, $\check{C}_r(X, E) = \text{VR}_{2r}(X)$. \square

3 Persistence via metric pairs

One of the insights leading to the notion of persistent homology associated to metric spaces was considering neighborhoods of a metric space in a nice (for example Euclidean) embedding [70]. In this section we formalize this idea in a categorical way.

Definition 3.1 (category of metric pairs) • A *metric pair* is an ordered pair (X, E) of metric spaces such that X is a metric subspace of E .

- Let (X, E) and (Y, F) be metric pairs. A 1–Lipschitz map from (X, E) to (Y, F) is a 1–Lipschitz map from E to F mapping X into Y .
- Let (X, E) and (Y, F) be metric pairs and f and g be 1–Lipschitz maps from (X, E) to (Y, F) . We say that f and g are *equivalent* if there exists a continuous family $(h_t)_{t \in [0,1]}$ of 1–Lipschitz maps from E to F and a 1–Lipschitz map $\phi: X \rightarrow Y$ such that $h_0 = f$, $h_1 = g$ and $h_t|_X = \phi$ for each t .
- We define PMet as the category whose objects are metric pairs and whose morphisms are defined as follows: given metric pairs (X, E) and (Y, F) , the morphisms from (X, E) to (Y, F) are equivalence classes of 1–Lipschitz maps from (X, E) to (Y, F) .

Recall the definition of persistence families, Definition 2.2. We let hTop_* denote the category of persistence families with morphisms specified as in Definition 2.2.

Remark 3.2 Let (X, E) and (Y, F) be persistent pairs and let f be a 1–Lipschitz morphism between them. Then f maps $B_r(X, E)$ into $B_r(Y, F)$ for each $r > 0$. Furthermore, if g is equivalent to f , then they reduce to homotopy equivalent maps from $B_r(X, E)$ to $B_r(Y, F)$ for each $r > 0$.

By the remark above, we obtain the following functor from PMet to hTop_* :

Definition 3.3 (persistence functor) Define the *persistence functor* $B_*: \text{PMet} \rightarrow \text{hTop}_*$ sending (X, E) to the persistence family obtained by the filtration $(B_r(X, E))_{r>0}$ and sending a morphism between metric pairs to the homotopy classes of maps it induces between the filtrations.

Remark 3.4 Suppose a metric pair (X, E) is given. For any $k \geq 0$, one can apply the degree k homology functor (with coefficients in a given field \mathbb{F}) to a persistence family $B_*(X, E)$. This induces a persistence module where the morphisms are induced by inclusions. As a persistence module, it is denoted by $\text{PH}_k(B_*(X, E); \mathbb{F})$.

Let Met be the category of metric spaces where morphisms are given by 1–Lipschitz maps. There is a forgetful functor from PMet to Met mapping (X, E) to X and mapping a morphism defined on (X, E) to its restriction to X . Although forgetful functors often have left adjoints, we are going to see that this one has a right adjoint.

Theorem 3.5 *The forgetful functor from PMet to Met has a right adjoint.*

First we need to prove a few results. The reader should consult [Section 2.2](#) for background on injective metric spaces.

Lemma 3.6 *Let (X, E) and (Y, F) be metric pairs such that F is an injective metric space. Let f and g be 1–Lipschitz maps from (X, E) to (Y, F) . Then f is equivalent to g if and only if $f|_X \equiv g|_X$.*

Proof The “only if” part is obvious from [Definition 3.1](#). Now assume that $f|_X \equiv g|_X$. By [Lemma 2.20](#), there exists a geodesic bicombing $\gamma: F \times F \times [0, 1] \rightarrow F$ such that for each $x, y, x', y' \in F$ and $t \in [0, 1]$,

$$d_F(\gamma(x, y, t), \gamma(x', y', t)) \leq (1-t)d_F(x, x') + td_F(y, y').$$

For $t \in [0, 1]$, define $h: E \times [0, 1] \rightarrow F$ by $h_t(x) = \gamma(f(x), g(x), t)$. Note that $h_0 = f$, $h_1 = g$ and $(h_t)|_X$ is the same map for all t . The inequality above implies that h_t is 1–Lipschitz for all t . \square

Lemma 3.7 *Let (X, E) and (Y, F) be metric pairs such that F is an injective metric space. Then, for each 1–Lipschitz map $\phi: X \rightarrow Y$, there exists a unique (up to equivalence) 1–Lipschitz map from (X, E) to (Y, F) extending ϕ .*

Proof The uniqueness up to equivalence part follows from [Lemma 3.6](#). The existence part follows from the injectivity of F . \square

Proof of Theorem 3.5 Let $\kappa: \text{Met} \rightarrow \text{PMet}$ be the functor sending X to $(X, L^\infty(X))$ where $L^\infty(X)$ is the Banach space consisting of all the bounded real-valued functions on X with ℓ^∞ –norm (see [Definition 2.23](#) in [Section 2.2](#)). A 1–Lipschitz map $f: X \rightarrow Y$ is sent to the unique morphism (see [Lemma 3.7](#)) extending f . This functor κ is said to be the *Kuratowski functor*.

There is a natural morphism

$$\text{Hom}((X, E), (Y, L^\infty(Y))) \rightarrow \text{Hom}(X, Y),$$

sending a morphism to its restriction to X . By [Lemma 3.7](#), this is a bijection. Hence κ is a right adjoint to the forgetful functor. \square

Recall that any two right adjoints of a same functor must be isomorphic [[9](#), Proposition 9.9].

Definition 3.8 (metric homotopy pairing) A functor $\eta: \text{Met} \rightarrow \text{PMet}$ is called a *metric homotopy pairing* if it is a right adjoint to the forgetful functor.

Example 3.9 Let (X, d_X) be a metric space. $L^\infty(X)$ is an injective space associated to X ; see [Section 2.2](#) for the precise definition. Consider also the following additional spaces associated to X :

$$\Delta(X) := \{f \in L^\infty(X) \mid f(x) + f(x') \geq d_X(x, x') \text{ for all } x, x' \in X\},$$

$$E(X) := \{f \in \Delta(X) \mid \text{if } g \in \Delta(X) \text{ and } g \leq f \text{ then } g = f\},$$

$$\Delta_1(X) := \Delta(X) \cap \text{Lip}_1(X, \mathbb{R}),$$

with ℓ^∞ -metrics for all of them; see [[60](#), Section 3]. Then

$$(X, L^\infty(X)), \quad (X, E(X)), \quad (X, \Delta(X)), \quad (X, \Delta_1(X))$$

are all metric homotopy pairings, since the second element in each pair is an injective metric space [[60](#), Section 3] into which X isometrically embeds via the map $\kappa: x \mapsto d_X(x, \cdot)$. Here, $E(X)$ is said to be the *tight span* of X [[30](#); [52](#)] and it is a especially interesting space. $E(X)$ is the smallest injective metric space into which X can be embedded and it is unique up to isometry. Furthermore, if X is a tree metric space (ie a metric space with 0-hyperbolicity; see [Definition 8.1](#)), then $E(X)$ is the smallest metric tree containing X . This special property has recently been used to the application of phylogenetics [[31](#)].

4 Isomorphism and stability

Recall that Met is the category of metric spaces with 1-Lipschitz maps as morphisms. We have the functor $\text{VR}_*: \text{Met} \rightarrow \text{hTop}_*$ induced by the Vietoris–Rips filtration. The main theorem we prove in this section is the following:

Theorem 4.1 (isomorphism theorem) *Let $\eta: \text{Met} \rightarrow \text{PMet}$ be a metric homotopy pairing (for example the Kuratowski functor). Then $\text{B}_* \circ \eta: \text{Met} \rightarrow \text{hTop}_*$ is naturally isomorphic to VR_{2*} .*

Recall the precise definitions of \mathcal{U}_r and $\check{C}_r(X, E)$ from [Definition 2.24](#). We denote the filtration of Čech complexes $(\check{C}_r(X, E))_{r>0}$ by $\check{C}_*(X, E)$.

The following theorem is the main tool for the proof of [Theorem 4.1](#). Its proof, being fairly long, is relegated to [Section A.3](#).

Theorem 4.2 (generalized functorial nerve lemma) *Let X and Y be two paracompact spaces, $\rho: X \rightarrow Y$ be a continuous map, $\mathcal{U} = \{U_\alpha\}_{\alpha \in A}$ and $\mathcal{V} = \{V_\beta\}_{\beta \in B}$ be good open covers (every nonempty finite intersection is contractible) of X and Y , respectively, based on arbitrary index sets A and B , and $\pi: A \rightarrow B$ be a map such that*

$$\rho(U_\alpha) \subseteq V_{\pi(\alpha)} \quad \text{for any } \alpha \in A.$$

Let $N\mathcal{U}$ and $N\mathcal{V}$ be the nerves of \mathcal{U} and \mathcal{V} , respectively. Observe that, since $U_{\alpha_0} \cap \dots \cap U_{\alpha_n} \neq \emptyset$ implies $V_{\pi(\alpha_0)} \cap \dots \cap V_{\pi(\alpha_n)} \neq \emptyset$, π induces the canonical simplicial map $\bar{\pi}: N\mathcal{U} \rightarrow N\mathcal{V}$.

Then there exist homotopy equivalences $X \rightarrow N\mathcal{U}$ and $Y \rightarrow N\mathcal{V}$ that commute with ρ and $\bar{\pi}$ up to homotopy:

$$\begin{array}{ccc} X & \longrightarrow & N\mathcal{U} \\ \rho \downarrow & & \downarrow \bar{\pi} \\ Y & \longrightarrow & N\mathcal{V} \end{array}$$

The next corollary is an important special case of [Theorem 4.2](#).

Corollary 4.3 (functorial nerve lemma) *Let $X \subseteq X'$ be two paracompact spaces. Let $\mathcal{U} = \{U_\alpha\}_{\alpha \in \Lambda}$ and $\mathcal{U}' = \{U'_\alpha\}_{\alpha \in \Lambda}$ be good open covers (every nonempty finite intersection is contractible) of X and X' , respectively, based on the same index set Λ , such that $U_\alpha \subseteq U'_\alpha$ for all $\alpha \in \Lambda$. Let $N\mathcal{U}$ and $N\mathcal{U}'$ be the nerves of \mathcal{U} and \mathcal{U}' , respectively.*

Then there exist homotopy equivalences $X \rightarrow N\mathcal{U}$ and $X' \rightarrow N\mathcal{U}'$ that commute with the canonical inclusions $X \hookrightarrow X'$ and $N\mathcal{U} \hookrightarrow N\mathcal{U}'$, up to homotopy:

$$\begin{array}{ccc} X & \longrightarrow & N\mathcal{U} \\ \downarrow & & \downarrow \\ X' & \longrightarrow & N\mathcal{U}' \end{array}$$

Proof Choose the canonical inclusion map $X \hookrightarrow X'$ as ρ , the identity map on Λ as π , and apply [Theorem 4.2](#). □

Remark 4.4 A result similar to [Corollary 4.3](#) was already proved in [\[21, Lemma 3.4\]](#) for finite-index sets, whereas in our version index sets can have arbitrary cardinality. In [\[24, Theorems 25 and 26\]](#), the authors prove a simplicial complex version of [Corollary 4.3](#) for finite-index sets and invoke a certain functorial version of Dowker’s theorem.

Finally, recently we became aware of [\[82, Lemma 5.1\]](#), which is similar to [Theorem 4.2](#). The author considers spaces with *numerable* covers (ie the spaces admit locally finite partition of unity subordinate to the covers), whereas in our version that condition is automatically satisfied since we only consider paracompact spaces. Our proof technique differs from that of [\[82\]](#) in that whereas [\[82\]](#) relies on a result from [\[29\]](#), our proof follows the traditional proof of the nerve lemma [\[49\]](#).

Proposition 4.5 For each metric pair $(X, E) \in \text{PMet}$, there exist homotopy equivalences

$$\phi_*^{(X,E)}: B_*(X, E) \rightarrow \check{C}_*(X, E)$$

such that, for any $0 < r \leq s$, the diagram

$$\begin{array}{ccc} B_r(X, E) & \xrightarrow{\phi_r^{(X,E)}} & \check{C}_r(X, E) \\ \downarrow & & \downarrow \\ B_s(X, E) & \xrightarrow{\phi_s^{(X,E)}} & \check{C}_s(X, E) \end{array}$$

commutes up to homotopy, where $B_r(X, E) \hookrightarrow B_s(X, E)$ and $\check{C}_r(X, E) \hookrightarrow \check{C}_s(X, E)$ are the canonical inclusions.

Proof Observe that $\check{C}_r(X, E)$ is the nerve of the open cover \mathcal{U}_r for any $r > 0$, and apply [Corollary 4.3](#). \square

Proposition 4.6 Let (X, E) and (Y, F) be metric pairs in PMet , and $f: (X, E) \rightarrow (Y, F)$ be a 1–Lipschitz map. Let $\phi_*^{(X,E)}: B_*(X, E) \rightarrow \check{C}_*(X, E)$ and $\phi_*^{(Y,F)}: B_*(Y, F) \rightarrow \check{C}_*(Y, F)$ be the homotopy equivalences guaranteed by [Proposition 4.5](#). Then, for any $r > 0$, the diagram

$$\begin{array}{ccc} B_r(X, E) & \xrightarrow{\phi_r^{(X,E)}} & \check{C}_r(X, E) \\ f_r \downarrow & & \downarrow f_r \\ B_r(Y, F) & \xrightarrow{\phi_r^{(Y,F)}} & \check{C}_r(Y, F) \end{array}$$

commutes up to homotopy, where $f_*: B_r(X, E) \rightarrow B_r(Y, F)$ and $f_*: \check{C}_r(X, E) \rightarrow \check{C}_r(Y, F)$ are the canonical maps induced from f .

Furthermore, if we substitute f with an equivalent map, then the homotopy types of the vertical maps remain unchanged.

Proof Since f is 1–Lipschitz, $f(B_r(x, E)) \subseteq B_r(f(x), F)$. Hence, if we choose $f|_{B_r(X,E)}$ as ρ , and $f|_X$ as π , the commutativity of the diagram is the direct result of [Theorem 4.2](#).

Furthermore, if f and g are equivalent, then the homotopy (h_t) between f and g induces the homotopy between $f_r: B_r(X, E) \rightarrow B_r(Y, F)$ and $g_r: B_r(X, E) \rightarrow B_r(Y, F)$. Moreover, since $f|_X = g|_X$, both of the induced maps $f_r: \check{C}_r(X, E) \rightarrow \check{C}_r(Y, F)$ and $g_r: \check{C}_r(X, E) \rightarrow \check{C}_r(Y, F)$ are exactly the same. \square

We are now ready to prove the main theorem of this section.

Proof of Theorem 4.1 Since all metric homotopy pairings are naturally isomorphic, without loss of generality we can assume that $\eta = \kappa$, the Kuratowski functor. Note that, by [Proposition 2.25](#), $\check{C}_r(X, E) = \text{VR}_{2r}(X)$ for any $X \in \text{Met}$ and $r > 0$.

Let's construct the natural transformation τ from $B_* \circ \kappa : \text{Met} \rightarrow \text{hTop}_*$ to VR_{2*} in the following way: Fix an arbitrary metric space $X \in \text{Met}$, and let τ_X be the homotopy equivalences

$$\phi_*^{(X, L^\infty(X))} : B_*(X, L^\infty(X)) \rightarrow \text{VR}_{2*}(X)$$

guaranteed by Proposition 4.5. Then, when $f : X \rightarrow Y$ is 1-Lipschitz, the functoriality between τ_X and τ_Y is the direct result of Proposition 4.6. So τ is indeed a natural transformation. Finally, since each $\phi_r^{(X, L^\infty(X))}$ is a homotopy equivalence for any $X \in \text{Met}$ and $r > 0$, τ is natural isomorphism. \square

4.1 Stability of metric homotopy pairings

In this subsection, we consider a distance between metric pairs by invoking the homotopy interleaving distance introduced by Blumberg and Lesnick [13] and then show that metric homotopy pairings are 1-Lipschitz with respect to this distance and the Gromov–Hausdorff distance.

Let us give a quick review of homotopy interleaving distance between \mathbb{R} -spaces. For more details, please see [13, Section 3.3]. An \mathbb{R} -space is a functor from the poset (\mathbb{R}, \leq) to the category of topological spaces. Note that given a metric pair (X, E) , the filtration of open neighborhoods $B_*(X, E)$ is an \mathbb{R} -space. Two \mathbb{R} -spaces A_* and B_* are said to be δ -interleaved for some $\delta > 0$ if there are natural transformations $f : A_* \rightarrow B_{*+\delta}$ and $g : B_* \rightarrow A_{*+\delta}$ such that $f \circ g$ and $g \circ f$ are equal to the structure maps $B_* \rightarrow B_{*+2\delta}$ and $A_* \rightarrow A_{*+2\delta}$, respectively.

A natural transformation $f : R_* \rightarrow A_*$ is called a weak homotopy equivalence if f induces a isomorphism between homotopy groups at each index. Two \mathbb{R} -spaces A_* and A'_* are said to be weakly homotopy equivalent if there exists an \mathbb{R} -space R_* and weak homotopy equivalences $f : R_* \rightarrow A_*$ and $f' : R_* \rightarrow A'_*$. The homotopy interleaving distance $d_{\text{HI}}(A_*, B_*)$ is then defined as the infimal $\delta > 0$ such that there exists δ -interleaved \mathbb{R} -spaces A'_* and B'_* with the property that A'_* and B'_* are weakly homotopy equivalent to A_* and B_* , respectively.

We now adapt this construction to metric pairs. Given metric pairs (X, E) and (Y, F) , we define the homotopy interleaving distance between them by

$$d_{\text{HI}}((X, E), (Y, F)) := d_{\text{HI}}(B_*(X, E), B_*(Y, F)).$$

The main theorem that we are going to prove in this section is the following. Below, d_{GH} denotes the Gromov–Hausdorff distance between metric spaces (see [15]) and d_I denotes the interleaving distance between persistence modules (see Section 2.1).

Theorem 4.7 *Let $\eta : \text{Met} \rightarrow \text{PMet}$ be a metric homotopy pairing. Then for any compact metric spaces X and Y ,*

$$d_{\text{HI}}(\eta(X), \eta(Y)) \leq d_{\text{GH}}(X, Y).$$

Remark 4.8 By combining [Theorem 4.7](#) and the isomorphism theorem ([Theorem 4.1](#)), one obtains another proof of [Theorem 2.14](#): for any compact metric spaces X and Y , a field \mathbb{F} , and $k \in \mathbb{Z}_{\geq 0}$,

$$d_I(\text{PH}_k(\text{VR}_*(X); \mathbb{F}), \text{PH}_k(\text{VR}_*(Y); \mathbb{F})) \leq 2d_{\text{GH}}(X, Y).$$

Lemma 4.9 If (X, E) and (Y, F) are isomorphic in PMet , then $d_{\text{HI}}((X, E), (Y, F)) = 0$.

Proof Let $f : (X, E) \rightarrow (Y, F)$ and $g : (Y, F) \rightarrow (X, E)$ be 1–Lipschitz maps such that $f \circ g$ and $g \circ f$ are equivalent to the respective identities. Then the result follows since f and g induce an isomorphism between the \mathbb{R} –spaces $B_*(X, E)$ and $B_*(Y, F)$. \square

Lemma 4.10 Let E and F be injective metric spaces containing X . Then (X, E) is isomorphic to (X, F) in PMet .

Proof By injectivity of E and F , there are 1–Lipschitz maps $f : E \rightarrow F$ and $g : F \rightarrow E$ such that $f|_X$ and $g|_X$ are equal to id_X . Hence, by [Lemma 3.6](#), $f \circ g : (X, F) \rightarrow (X, F)$ and $g \circ f : (X, E) \rightarrow (X, E)$ are equivalent to the identity. \square

Proof of Theorem 4.7 Since all metric homotopy pairings are naturally isomorphic, by [Lemma 4.9](#), without loss of generality we can assume that $\eta = \kappa$, the Kuratowski functor. Let $r > d_{\text{GH}}(X, Y)$. Let us show that

$$d_{\text{HI}}((X, L^\infty(X)), (Y, L^\infty(Y))) \leq r.$$

By assumption (see [\[15\]](#)), there exists a metric space Z containing X and Y such that the Hausdorff distance between X and Y as subspaces of Z is less than or equal to r . Hence, the \mathbb{R} –spaces $B_*(X, L^\infty(Z))$ and $B_*(Y, L^\infty(Z))$ are r –interleaved as

$$B_\epsilon(X, L^\infty(Z)) \subseteq B_{r+\epsilon}(Y, L^\infty(Z)) \quad \text{and} \quad B_\epsilon(Y, L^\infty(Z)) \subseteq B_{r+\epsilon}(X, L^\infty(Z))$$

for each ϵ . Now, by [Lemma 4.10](#),

$$d_{\text{HI}}((X, L^\infty(X)), (Y, L^\infty(Y))) = d_{\text{HI}}((X, L^\infty(Z)), (Y, L^\infty(Z))) \leq r. \quad \square$$

5 Application: endpoints of intervals in $\text{barc}_k^{\text{VR}}(X)$

It is known that, in some cases, the intervals in the Vietoris–Rips barcode of a metric space are of the form $(u, v]$ or (u, ∞) for $0 \leq u < v < \infty$.

Example 5.1 In the following examples, any $I \in \text{barc}_k^{\text{VR}}(X; \mathbb{F})$ has a form of $(u, v]$ or (u, ∞) for some $0 \leq u < v < \infty$:

- (1) when X is a finite metric space, for any $k \geq 0$;
- (2) when $X = \mathbb{S}^1$, for any $k \geq 0$ (see [\[1, Theorem 7.4\]](#));
- (3) when X is a compact geodesic metric space, for $k = 1$ (see [\[81, Theorem 8.2\]](#)).

As far as we know, the general statement given in [Theorem 5.2](#) below is first proved in this paper. Our proof crucially exploits the isomorphism theorem ([Theorem 4.1](#)).

Theorem 5.2 *Suppose a compact metric space (X, d_X) , a field \mathbb{F} , and a nonnegative integer k are given. Then, for any $I \in \text{barc}_k^{\text{VR}}(X; \mathbb{F})$, I must be of the form $(u, v]$ or (u, ∞) for some $0 \leq u < v < \infty$.*

We first state and prove two lemmas which will be combined in order to furnish the proof of [Theorem 5.2](#).

Lemma 5.3 *Let X be a topological space and G be an abelian group. Then, for any $k \geq 0$ and any k -dimensional singular chain c of X with coefficients in G , there exist a compact subset $K_c \subseteq X$ and k -dimensional singular chain c' of K_c with coefficients in G such that*

$$(i)_\#(c') = c,$$

where $i: K_c \hookrightarrow X$ is the canonical inclusion map.

Proof Recall that one can express c as a sum of finitely many k -dimensional singular simplices with coefficients in G . In other words,

$$c = \sum_{i=1}^l \alpha_i \sigma_i,$$

where $\alpha_i \in G$ and $\sigma_i: \Delta_k \rightarrow X$ is a continuous map for each $i = 1, \dots, l$. Next, let $K_c := \bigcup_{i=1}^l \sigma_i(\Delta_k)$. This K_c is the compact subspace that we required. \square

For the remainder of this section, given any field \mathbb{F} and a metric pair (X, E) , for each $0 < r < \infty$ we will denote by $(\text{SC}_*^{(r)}, \partial_*^{(r)})$ the singular chain complex of $B_r(X, E)$ with coefficients in \mathbb{F} . For each $0 < r \leq s < \infty$ we will denote by $i_{r,s}$ the canonical inclusion map $B_r(X, E) \subseteq B_s(X, E)$. By $(i_{r,s})_\#$ we will denote the (injective) map induced at the level of singular chain complexes.

Lemma 5.4 *Suppose that a compact metric space (X, d_X) , a field \mathbb{F} , a metric homotopy pairing η , and a nonnegative integer k are given. Then, for every $I \in \text{barc}(\text{PH}_k(\mathbf{B}_* \circ \eta(X); \mathbb{F}))$:*

- (i) *If $u \in [0, \infty)$ is the left endpoint of I , then $u \notin I$ (ie I is left-open).*
- (ii) *If $v \in [0, \infty)$ is the right endpoint of I , then $v \in I$ (ie I is right-closed).*

Proof (i) Let $\eta(X) = (X, E)$. The fact that $I \in \text{barc}(\text{PH}_k(\mathbf{B}_* \circ \eta(X); \mathbb{F}))$ implies that, for each $r \in I$, there exists a singular k -cycle c_r on $B_r(X, E)$ with coefficients in \mathbb{F} satisfying

- (1) $[c_r] \in \text{H}_k(B_r(X, E); \mathbb{F})$ is nonzero for any $r \in I$,
- (2) $(i_{r,s})_*([c_r]) = [c_s]$ for any $r \leq s$ in I .

Now, suppose that u is a closed left endpoint of I (so $u \in I$). In particular, by the above there exists a singular k -cycle c_u on $B_u(X, E)$ with coefficients in \mathbb{F} with the above two properties.

Then, by Lemma 5.3, we know that there is a compact subset $K_{c_u} \subseteq B_u(X, E)$ and a singular k -cycle c'_u on K_{c_u} with coefficients in \mathbb{F} such that $(\iota)_\#(c'_u) = c_u$ where $\iota: K_{c_u} \rightarrow B_u(X, E)$ is the canonical inclusion. Moreover, since K_{c_u} is compact, there exists a small $\varepsilon > 0$ such that

$$K_{c_u} \subseteq B_{u-\varepsilon}(X, E).$$

Now, define $c_{u-\varepsilon} := (\iota')_\#(c'_u)$ where $\iota': K_{c_u} \rightarrow B_{u-\varepsilon}(X, E)$ is the canonical inclusion. Then, this singular chain satisfies

$$(i_{u-\varepsilon, u})_\#(c_{u-\varepsilon}) = (i_{u-\varepsilon, u})_\# \circ (\iota')_\#(c'_u) = (\iota)_\#(c'_u) = c_u.$$

Moreover, $c_{u-\varepsilon}$ cannot be null-homologous. Otherwise, there would exist a singular $(k+1)$ -chain $d_{u-\varepsilon}$ on $B_{u-\varepsilon}(X, E)$ with coefficients in \mathbb{F} such that $\partial_{k+1}^{(u-\varepsilon)} d_{u-\varepsilon} = c_{u-\varepsilon}$. However, this would imply

$$\partial_{k+1}^{(u)} \circ (i_{u-\varepsilon, u})_\#(d_{u-\varepsilon}) = (i_{u-\varepsilon, u})_\# \circ \partial_{k+1}^{(u-\varepsilon)}(d_{u-\varepsilon}) = (i_{u-\varepsilon, u})_\#(c_{u-\varepsilon}) = c_u,$$

by the naturality of the boundary operators $\partial_{k+1}^{(u-\varepsilon)}$ and $\partial_{k+1}^{(u)}$. This would in turn contradict the property $[c_u] \neq 0$.

So, we must have $[c_{u-\varepsilon}] \neq 0$. But, the existence of such $c_{u-\varepsilon}$ contradicts the fact that u is the left endpoint of I . Therefore, one concludes that u cannot be a closed left endpoint, so it must be an open endpoint.

(ii) Now, suppose that v is an open right endpoint of I (so that $v \notin I$ and therefore c_v is not defined by the above two conditions). Choose a small enough $\varepsilon > 0$ that $v - \varepsilon \in I$, and let

$$c_v := (i_{v-\varepsilon, v})_\#(c_{v-\varepsilon}).$$

Then c_v must be null-homologous.

This means that there is a singular $(k+1)$ -dimensional chain d_v on $B_v(X, E)$ with coefficients in \mathbb{F} such that $\partial_{k+1}^{(v)} d_v = c_v$. By Lemma 5.3, we know that there is a compact subset $K_{d_v} \subseteq B_v(X, E)$ and a singular $(k+1)$ -chain d'_v of K_{d_v} with coefficients in \mathbb{F} such that $(\iota)_\#(d'_v) = d_v$ where $\iota: K_{d_v} \rightarrow B_v(X, E)$ is the canonical inclusion. Moreover, since K_{d_v} is compact, there exists $\varepsilon' \in (0, \varepsilon]$ such that $K_{d_v} \subseteq B_{v-\varepsilon'}(X, E)$.

Let $d_{v-\varepsilon'} := (\iota')_\#(d'_v)$ where $\iota': K_{d_v} \hookrightarrow B_{v-\varepsilon'}(X, E)$ is the canonical inclusion. Then, again by the naturality of boundary operators,

$$\begin{aligned} (i_{v-\varepsilon', v})_\# \circ \partial_{k+1}^{(v-\varepsilon')} (d_{v-\varepsilon'}) &= \partial_{k+1}^{(v)} \circ (i_{v-\varepsilon', v})_\#(d_{v-\varepsilon'}) \\ &= \partial_{k+1}^{(v)} \circ (i_{v-\varepsilon', v})_\# \circ (\iota')_\#(d'_v) = \partial_{k+1}^{(v)} \circ (\iota)_\#(d'_v) = \partial_{k+1}^{(v)} d_v = c_v. \end{aligned}$$

Since $(i_{v-\varepsilon', v})_\#$ is injective and $(i_{v-\varepsilon', v})_\# \circ (i_{v-\varepsilon, v-\varepsilon'})_\#(c_{v-\varepsilon}) = (i_{v-\varepsilon, v})_\#(c_{v-\varepsilon}) = c_v$, one can conclude that $\partial_{k+1}^{(v-\varepsilon')} (d_{v-\varepsilon'}) = (i_{v-\varepsilon, v-\varepsilon'})_\#(c_{v-\varepsilon})$. This indicates that

$$0 = [(i_{v-\varepsilon, v-\varepsilon'})_\#(c_{v-\varepsilon})] = (i_{v-\varepsilon, v-\varepsilon'})_*([c_{v-\varepsilon}]) = [c_{v-\varepsilon'}],$$

but it contradicts the fact that $[c_{v-\varepsilon'}] \neq 0$. Therefore, v must be a closed endpoint. □

Finally, the proof of Theorem 5.2 follows from the lemmas above.

Proof of Theorem 5.2 Apply Lemma 5.4 and Theorem 4.1. □

A (false) conjecture Actually, we first expected the following conjecture to be true. Observe that, if true, the conjecture would imply [Theorem 5.2](#). Also, it is obvious that this conjecture is true when X is a finite metric space.

Conjecture 5.5 (lower semicontinuity of the homotopy type of Vietoris–Rips complexes) Suppose X is a compact metric space. Then, for any $r \in \mathbb{R}_{>0}$, $\text{VR}_r(X)$ is homotopy equivalent to $\text{VR}_{r-\varepsilon}(X)$ whenever $\varepsilon > 0$ is small enough.

However, the following example shows that this conjecture is false:

Example 5.6 By [\[1, Theorem 7.4\]](#), we know that $\text{VR}_r(\mathbb{S}^1)$ is homotopy equivalent to \mathbb{S}^{2m+1} if $r \in (2\pi m/(2m+1), 2\pi(m+1)/(2m+3)]$ for $m = 0, 1, \dots$. Observe that $\lim_{m \rightarrow \infty} 2\pi m/(2m+1) = \pi$. Therefore, $\text{VR}_\pi(\mathbb{S}^1)$ cannot be homotopy equivalent to $\text{VR}_{\pi-\varepsilon}(\mathbb{S}^1)$ for all small enough ε , since for r in the interval $[\pi - \varepsilon, \pi]$, $\text{VR}_r(\mathbb{S}^1)$ attains infinitely many different homotopy types.

Then, one might now wonder whether the conjecture holds when we restrict the range of r to $(0, \text{diam}(X))$. But, again this new conjecture is false, as the following example shows:

Example 5.7 Let $X := \mathbb{S}^1 \vee \alpha \cdot \mathbb{S}^1$ for some $\alpha \in (0, 1)$. Observe that $\text{diam}(X) = \pi$. Also, by [Lemma 6.6](#), $E \vee F$ will be an injective metric space containing X whenever E is an injective metric space containing \mathbb{S}^1 (eg $E(\mathbb{S}^1)$) and F is an injective metric space containing $\alpha \cdot \mathbb{S}^1$ (eg $E(\alpha \cdot \mathbb{S}^1)$). Hence, by [Proposition 2.27](#), $\text{VR}_{2r}(X) \simeq B_r(X, E \vee F) = B_r(\mathbb{S}^1, E) \vee B_r(\alpha \cdot \mathbb{S}^1, F)$ and $\text{VR}_{2r}(\alpha \cdot \mathbb{S}^1) \simeq B_r(\alpha \cdot \mathbb{S}^1, F)$ for any $r > 0$. Therefore, $\text{VR}_{\alpha\pi}(X)$ cannot be homotopy equivalent to $\text{VR}_{\alpha\pi-\varepsilon}(X)$ for small enough ε , since $\text{VR}_r(\alpha \cdot \mathbb{S}^1)$ attains infinitely many homotopy types for $r \in [\alpha\pi - \varepsilon, \alpha\pi]$.

6 Application: products and metric gluings

The following statement regarding products of filtrations are obtained at the simplicial level (and in more generality) in [\[71, Proposition 2.6; 42; 72\]](#). The statement about metric gluings appeared in [\[3, Proposition 4; 66, Proposition 4.4\]](#). These proofs operate at the simplicial level.

Here we give alternative proofs through the consideration of neighborhoods in an injective metric space via [Theorem 4.1](#).

We first recall the notion of metric gluing: given two metric spaces X and Y and points $p \in X$ and $q \in Y$, the *metric gluing* $X \vee Y := X \sqcup Y / p \sim q$ is defined with the metric

$$d_{X \vee Y}(z, z') := \begin{cases} d_X(z, z') & \text{if } z, z' \in X, \\ d_Y(z, z') & \text{if } z, z' \in Y, \\ d_X(z, p) + d_Y(z', q) & \text{if } z \in X \text{ and } z' \in Y. \end{cases}$$

Theorem 6.1 (persistent Künneth formula) *Let X and Y be metric spaces, and \mathbb{F} be a field.*

(1) **Persistent Künneth formula** *Let $X \times Y$ denote the ℓ^∞ -product of X and Y . Then*

$$\text{PH}_*(\text{VR}_*(X \times Y); \mathbb{F}) \cong \text{PH}_*(\text{VR}_*(X); \mathbb{F}) \otimes \text{PH}_*(\text{VR}_*(Y); \mathbb{F}).$$

(2) *Let p and q be points in X and Y respectively. Let $X \vee Y$ denote the metric gluing of metric spaces X and Y along p and q . Then²*

$$\text{PH}_*(\text{VR}_*(X \vee Y); \mathbb{F}) \cong \text{PH}_*(\text{VR}_*(X); \mathbb{F}) \oplus \text{PH}_*(\text{VR}_*(Y); \mathbb{F}).$$

Remark 6.2 Corollaries 5.2 and 5.8 of [5] establish results analogous to [Theorem 6.1](#) for the products and metric gluings of Vietoris–Rips metric thickenings.

Remark 6.3 The tensor product of two simple persistence modules corresponding to intervals I and J is the simple persistence module corresponding to the interval $I \cap J$. Therefore, the first part of [Theorem 6.1](#) implies that

$$\text{barc}_k^{\text{VR}}(X \times Y; \mathbb{F}) := \{I \cap J \mid I \in \text{barc}_i^{\text{VR}}(X; \mathbb{F}), J \in \text{barc}_j^{\text{VR}}(Y; \mathbb{F}), i + j = k\}$$

for any nonnegative integer k .

Example 6.4 (tori) For a given choice of $\alpha_1, \dots, \alpha_n > 0$, let X be the ℓ^∞ -product $\prod_{i=1}^n (\alpha_i \cdot \mathbb{S}^1)$. Then, by [1, Theorem 7.4] and [Remark 6.3](#),

$$\text{barc}_0^{\text{VR}}(X; \mathbb{F}) = \{(0, \infty)\},$$

and

$$\begin{aligned} &\text{barc}_k^{\text{VR}}(X; \mathbb{F}) \\ &= \left\{ \left(\max_{1 \leq j \leq m} \frac{2\pi\alpha_{i_j}l_{i_j}}{2l_{i_j}+1}, \min_{1 \leq j \leq m} \frac{2\pi\alpha_{i_j}(l_{i_j}+1)}{2l_{i_j}+3} \right) \mid \{i_j\}_{j=1}^m \subseteq \{1, \dots, n\}, l_{i_j} \in \mathbb{Z}_{\geq 0}, \sum_{j=1}^m (2l_{i_j}+1) = k \right\} \end{aligned}$$

for any $k \in \mathbb{Z}_{>0}$.

Note that above we are defining a multiset; hence if an element appears more than once in the definition, then it will appear more than once in the multiset. In particular, in the case of $X = \mathbb{S}^1 \times \mathbb{S}^1$, for all integers $k \geq 0$,

$$\begin{aligned} &\text{barc}_0^{\text{VR}}(X; \mathbb{F}) = \{(0, \infty)\}, \\ &\text{barc}_{2k+1}^{\text{VR}}(X; \mathbb{F}) = \left\{ \left(\frac{2\pi k}{2k+1}, \frac{2\pi(k+1)}{2k+3} \right), \left(\frac{2\pi k}{2k+1}, \frac{2\pi(k+1)}{2k+3} \right) \right\}, \\ &\text{barc}_{4k+2}^{\text{VR}}(X; \mathbb{F}) = \left\{ \left(\frac{2\pi k}{2k+1}, \frac{2\pi(k+1)}{2k+3} \right) \right\}, \\ &\text{barc}_{4k+4}^{\text{VR}}(X; \mathbb{F}) = \emptyset. \end{aligned}$$

See also the remarks on homotopy types of Vietoris–Rips complexes of tori in [1, Proposition 10.2; 18].

²We use the “reduced” homology functor for this metric gluing case.

To be able to prove [Theorem 6.1](#), we need the following lemmas:

Lemma 6.5 *If E and F are injective metric spaces, then so is their ℓ^∞ -product.*

Proof Let X be a metric space. Note that $(f, g): X \rightarrow E \times F$ is 1-Lipschitz if and only if f and g are 1-Lipschitz. Given such f and g and a metric embedding X into Y , we have 1-Lipschitz extensions \tilde{f} and \tilde{g} of f and g from Y to E and F , respectively. Hence, $(\tilde{f}, \tilde{g}): Y \rightarrow E \times F$ is a 1-Lipschitz extension of (f, g) . Therefore $E \times F$ is injective. \square

Lemma 6.6 *If E and F are injective metric spaces, then so is their metric gluing along any two points.*

Proof Let p and q be points in E and F , respectively, and $E \vee F$ denote the metric gluing of E and F along p and q . We are going to show that $E \vee F$ is hyperconvex, hence injective (see [Proposition 2.18](#)). We denote the metric on $E \vee F$ by d , the metric on E by d_E and the metric on F by d_F .

Let $(x_i, r_i)_i$ and $(y_j, s_j)_j$ be such that each x_i is in E , each y_j is in F , $r_i \geq 0$, $s_j \geq 0$,

$$d_E(x_i, x_{i'}) \leq r_i + r_{i'}, \quad d_F(y_j, y_{j'}) \leq s_j + s_{j'}, \quad d(x_i, y_j) \leq r_i + s_j$$

for each i, i', j and j' . Define ϵ by

$$\epsilon := \max\left\{\inf_i(r_i - d_E(x_i, p)), \inf_j(s_j - d_F(y_j, q))\right\}.$$

Let us show that $\epsilon \geq 0$. If the second element inside the maximum is negative, then there exists j_0 such that $d_F(y_{j_0}, q) - s_{j_0} > 0$. Since $d(x_i, y_{j_0}) = d_E(x_i, p) + d_F(q, y_{j_0})$ for all i ,

$$r_i - d_E(x_i, p) = d_F(y_{j_0}, q) + (r_i - d(x_i, y_{j_0})) \geq d_F(y_{j_0}, q) - s_{j_0} > 0.$$

Therefore the first element inside the maximum is nonnegative. Hence $\epsilon \geq 0$.

Without loss of generality, let us assume that

$$\epsilon = \inf_i(r_i - d_E(x_i, p)) \geq 0.$$

This implies that the nonempty closed ball $\bar{B}_\epsilon(q, F)$ is contained in $\bar{B}_{r_i}(x_i, E \vee F)$ for all i . Now, for each j ,

$$\epsilon + s_j = \inf_i(r_i - d_E(x_i, p) + s_j) \geq \inf_i(d(x_i, y_j) - d_E(x_i, p)) = d_F(y_j, q).$$

Therefore,

$$\left(\bigcap_i \bar{B}_{r_i}(x_i, E \vee F)\right) \cap \left(\bigcap_j \bar{B}_{s_j}(y_j, E \vee F)\right) \supseteq \bar{B}_\epsilon(q, F) \cap \left(\bigcap_j \bar{B}_{s_j}(y_j, F)\right) \neq \emptyset,$$

where the right-hand side is nonempty by hyperconvexity of F . \square

Proof of Theorem 6.1 (1) Let E and F be injective metric spaces containing X and Y respectively. Let $E \times F$ denote the ℓ^∞ -product of E and F . Note that for each $r > 0$,

$$B_r(X \times Y, E \times F) = B_r(X, E) \times B_r(Y, F).$$

Hence, by the (standard) Künneth formula [68, Theorem 58.5],

$$H_*(B_r(X \times Y, E \times F); \mathbb{F}) \cong H_*(B_r(X, E); \mathbb{F}) \otimes H_*(B_r(Y, F); \mathbb{F}).$$

Now, the result follows from Lemma 6.5 and Theorem 4.1.

(2) Let E and F be as above and $E \vee F$ denote metric gluing of E and F along p and q . Note that

$$B_r(X \vee Y, E \vee F) = B_r(X, E) \vee B_r(Y, F).$$

Hence, by [49, Corollary 2.25],

$$H_*(B_r(X \vee Y, E \vee F); \mathbb{F}) \cong H_*(B_r(X, E); \mathbb{F}) \oplus H_*(B_r(Y, F); \mathbb{F}).$$

Now, the result follows from Lemma 6.6 and Theorem 4.1. □

7 Application: homotopy types of $VR_r(X)$ for $X \in \{\mathbb{S}^1, \mathbb{S}^2, \mathbb{C}\mathbb{P}^n\}$

In a series of papers [54; 55; 56; 57], Katz studied the filling radius of spheres and complex projective spaces. In this sequence of papers, Katz developed a notion of Morse theory for the diameter function $\text{diam}: \text{pow}(X) \rightarrow \mathbb{R}$ over a given metric space. By characterizing critical points of the diameter function on each of the spaces \mathbb{S}^1 , \mathbb{S}^2 , and $\mathbb{C}\mathbb{P}^n$, he was able to prove some results about the different homotopy types attained by $B_r(X, L^\infty(X))$ for $X \in \{\mathbb{S}^1, \mathbb{S}^2, \mathbb{C}\mathbb{P}^n\}$ as r increases. Here, we obtain some corollaries that follow from combining the work of Katz [55; 56] with Theorem 4.1.

7.1 The case of spheres with geodesic distance

In [50, Theorem 3.5], Hausmann introduced the quantity $r(M)$ for a Riemannian manifold M , which is the supremum of those $r > 0$ satisfying the following three conditions:

- (1) For all $x, y \in M$ such that $d_M(x, y) < 2r$, there is a unique shortest geodesic joining x to y . Its length is $d_M(x, y)$.
- (2) Let $x, y, z, w \in M$ with $d_M(x, y), d_M(y, z), d_M(z, x) < r$, and w be any point on the shortest geodesic joining x to y . Then $d_M(z, w) \leq \max\{d_M(y, z), d_M(z, x)\}$.
- (3) If γ and γ' are arc-length parametrized geodesics such that $\gamma(0) = \gamma'(0)$, and if $0 \leq s, s' < r$ and $0 \leq t \leq 1$, then $d_M(\gamma(ts), \gamma'(ts')) \leq d_M(\gamma(s), \gamma(s'))$.

In particular, it can be checked that $r(\mathbb{S}^n) = \frac{\pi}{2}$ for any $n \geq 1$. Hausmann then proved that if $r(M) > 0$, $VR_r(M)$ is homotopy equivalent to M for any $r \in (0, r(M))$. This theorem is one of the foundational results in topological data analysis, since it provides theoretical basis for the use of the Vietoris–Rips filtration for recovering the homotopy type of the underlying space.

Then, via Proposition 2.27, we obtain that $B_r(M, L^\infty(M)) \simeq M$ for $r \in (0, \frac{1}{2}r(M)]$, and therefore $B_r(\mathbb{S}^n, L^\infty(\mathbb{S}^n)) \simeq \mathbb{S}^n$ for all $r \in (0, \frac{\pi}{4}]$. In [54, Remark, page 508], Katz constructs a retraction from $B_r(\mathbb{S}^n, L^\infty(\mathbb{S}^n))$ to \mathbb{S}^n for r in the range $(0, \frac{1}{2} \arccos(-1/(n+1))]$, which is a larger range than the

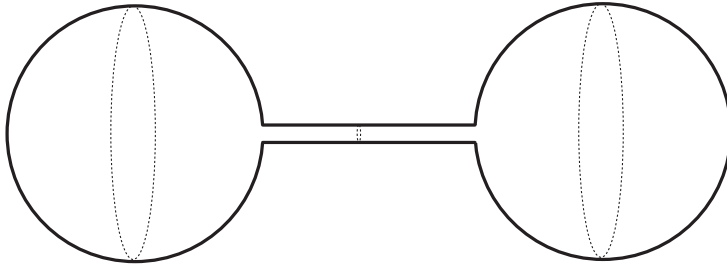


Figure 3: A 2–dimensional sphere with more than one interval in its $\text{barc}_2^{\text{VR}}$.

one guaranteed by Hausmann’s result. This suggests that an improvement of Hausmann’s results might be possible for the particular case of spheres.

Indeed, in the special case of spheres, by a refinement of Hausmann’s method of proof (critically relying upon Jung’s theorem) we obtain the following theorem, which also improves the aforementioned claim by Katz:

Theorem 7.1 For any $n \in \mathbb{Z}_{>0}$, we have $\text{VR}_r(\mathbb{S}^n) \simeq \mathbb{S}^n$ for any $r \in (0, \arccos(-1/(n+1))]$.

That this result improves upon Hausmann’s follows from the fact that $\arccos(-1/(n+1)) \geq \frac{\pi}{2}$ for all integers $n \geq 1$. The proof follows from the fact that with the aid of Jung’s theorem, one can modify the lemmas that Hausmann originally used. See [Section A.4](#) for a detailed proof along these lines which we believe is of independent interest.

Remark 7.2 Proposition 5.3 of [2] establishes a result analogous to [Theorem 7.1](#) for Vietoris–Rips metric thickenings of \mathbb{S}^n .

Remark 7.3 The above theorem implies that for every n , $\text{barc}_n^{\text{VR}}(\mathbb{S}^n; \mathbb{F})$ contains an interval I_n of the form $(0, d_n]$ where $d_n \geq \arccos(-1/(n+1))$. This theorem does not, however, guarantee that d_n equals its lower bound, nor that I_n is the unique interval in $\text{barc}_n^{\text{VR}}(\mathbb{S}^n; \mathbb{F})$. See [Figure 3](#) for an example of a 2–dimensional sphere (with nonround metric) having more than one interval in its 2–dimensional persistence barcode, and see [Proposition 9.28](#) for a general result about I_n .

For the particular cases of \mathbb{S}^1 and \mathbb{S}^2 , we have additional information regarding the homotopy types of their Vietoris–Rips r –complexes when r exceeds the range contemplated in the above corollary.

The case of \mathbb{S}^1 The complete characterization of the different homotopy types of $\text{VR}_r(\mathbb{S}^1)$ as $r > 0$ grows was obtained by Adamaszek and Adams in [1]. Their proof is combinatorial in nature and takes place at the simplicial level.

Below, by invoking [Theorem 4.1](#), we show how partial results can be obtained from the work of Katz who directly analyzed the filtration $(B_r(\mathbb{S}^1, L^\infty(\mathbb{S}^1)))_{r>0}$ via a Morse-theoretic argument.

For each integer $k \geq 1$ let $\lambda_k := 2\pi k / (2k + 1)$. Katz proved in [56] that $B_r(\mathbb{S}^1, L^\infty(\mathbb{S}^1))$ changes homotopy type only when $r = \frac{1}{2}\lambda_k$ for some k . In particular, his results imply:

Corollary 7.4 For $r \in (\frac{2\pi}{3}, \frac{4\pi}{5})$, $\text{VR}_r(\mathbb{S}^1) \simeq \mathbb{S}^3$.

Proof $B_r(\mathbb{S}^1, L^\infty(\mathbb{S}^1))$ is homotopy equivalent to \mathbb{S}^3 for $r \in (\frac{1}{2} \cdot \frac{2\pi}{3}, \frac{1}{2} \cdot \frac{4\pi}{5})$ by [56, Theorem 1.1]. Hence, the result follows from Theorem 4.1. \square

The case of \mathbb{S}^2 Similar arguments hold for the case of \mathbb{S}^2 . Whereas the homotopy types of $\text{VR}_r(\mathbb{S}^1)$ for any $r > 0$ are known [1], we are not aware of similar results for \mathbb{S}^2 . Below, E_6 is the binary tetrahedral group.

Corollary 7.5 For $r \in (\arccos(-\frac{1}{3}), \arccos(-1/\sqrt{5}))$, $\text{VR}_r(\mathbb{S}^2) \simeq \mathbb{S}^2 * \mathbb{S}^3 / E_6$.

Proof $B_r(\mathbb{S}^2, L^\infty(\mathbb{S}^2))$ is homotopy equivalent to the topological join of \mathbb{S}^2 and \mathbb{S}^3 / E_6 for r in the interval $(\frac{1}{2} \cdot \arccos(-\frac{1}{3}), \frac{1}{2} \cdot \arccos(-1/\sqrt{5}))$ by [56, Theorem 7.1]. Hence, applying Theorem 4.1 yields the result. \square

Remark 7.6 $\mathbb{S}^3 / E_6 = \text{SO}(3) / A_4$, where A_4 is the tetrahedral group; see [2, Remark 5.6].

Remark 7.7 As already pointed out in Remark 7.3, by virtue of Theorem 7.1, $(0, d_n] \in \text{barc}_n^{\text{VR}}(\mathbb{S}^n; \mathbb{F})$ for some $d_n \geq \arccos(-1/(n + 1))$. Moreover, since for $n = 1$ and $n = 2$ we know (by Corollaries 7.4 and 7.5) that the homotopy type changes after $\arccos(-1/(n + 1))$, we conclude that $\text{barc}_n^{\text{VR}}(\mathbb{S}^n; \mathbb{F})$ contains $(0, \arccos(-1/(n + 1))]$ for $n = 1$ and $n = 2$ and that this is the unique interval in $\text{barc}_n^{\text{VR}}(\mathbb{S}^n; \mathbb{F})$ starting at 0. Surprisingly, it is currently unknown how the homotopy type of $\text{VR}_r(\mathbb{S}^n)$ changes after $\arccos(-1/(n + 1))$ for $n \geq 3$. But, still, in Section 9 we will be able to show that $(0, \arccos(-1/(n + 1))] \in \text{barc}_n^{\text{VR}}(\mathbb{S}^n; \mathbb{F})$ for general n via arguments involving the filling radius; see Proposition 9.28. In particular, this implies that the homotopy type of $\text{VR}_r(\mathbb{S}^n)$ must change after the critical point $r = \arccos(-1/(n + 1))$ since the fundamental class dies after that point, even though we still do not know “how” the homotopy type changes. Moreover, since $\text{VR}_r(\mathbb{S}^n)$ is homotopy equivalent to \mathbb{S}^n for any $r \in (0, \arccos(-1/(n + 1))]$, we know that for any interval $I \in \text{barc}_n^{\text{VR}}(\mathbb{S}^n; \mathbb{F})$ with $I \neq (0, \arccos(-1/(n + 1))]$, the left endpoint of I must be greater than or equal to $\arccos(-1/(n + 1))$.

The following subconjecture of [2, Conjecture 5.7] is still open except for the $n = 1$ and $n = 2$ cases; see also [2, Theorem 5.4].

Conjecture 7.8 For any $n \in \mathbb{Z}_{>0}$, there exists an $\varepsilon > 0$ such that

$$\text{VR}_r(\mathbb{S}^n) \simeq \mathbb{S}^n * (\text{SO}(n + 1) / A_{n+2})$$

for any $r \in (\arccos(-1/(n + 1)), \arccos(-1/(n + 1)) + \varepsilon)$, where A_{n+2} is the alternating group of degree $n + 2$.

Remark 7.9 To see that [Conjecture 7.8](#) is a subconjecture of [[2](#), [Conjecture 5.7](#)], observe that

$$\mathbb{S}^n * (\mathrm{SO}(n + 1)/A_{n+2}) \cong \Sigma^{n+1}(\mathrm{SO}(n + 1)/A_{n+2})$$

for any nonnegative integer n . It is a special case of the more general homeomorphism

$$\mathbb{S}^n * X \cong \Sigma^{n+1}X$$

for any Hausdorff and locally compact space X . This fact can be proved by induction on n and the associativity of the topological join (see [[38](#), [Lecture 2.4](#)]).

7.2 The case of $\mathbb{C}\mathbb{P}^n$

Partial information can be provided for the case of $\mathbb{C}\mathbb{P}^n$ as well. First of all, recall that the complex projective line $\mathbb{C}\mathbb{P}^1$ with its canonical metric actually coincides with the sphere \mathbb{S}^2 . Hence, one can apply [Theorem 7.1](#) and [Corollary 7.5](#) to $\mathbb{C}\mathbb{P}^1$. The following results can be derived for general $\mathbb{C}\mathbb{P}^n$:

Corollary 7.10 *Let $\mathbb{C}\mathbb{P}^n$ be the complex projective space with sectional curvature between $\frac{1}{4}$ and 1 with canonical metric. Then:*

- (1) *There exist $\alpha_n \in (0, \arccos(-\frac{1}{3})]$ such that $\mathrm{VR}_r(\mathbb{C}\mathbb{P}^n)$ is homotopy equivalent to $\mathbb{C}\mathbb{P}^n$ for any $r \in (0, \alpha_n]$.*
- (2) *Let A be the space of equilateral 4-tuples in projective lines of $\mathbb{C}\mathbb{P}^n$. Let X be the partial join of A and $\mathbb{C}\mathbb{P}^n$ where $x \in \mathbb{C}\mathbb{P}^n$ is joined to a tuple $a \in A$ by a line segment if x is contained in the projective line determined by a . There exists a constant $\beta_n > 0$ such that if*

$$\arccos(-\frac{1}{3}) < r < \arccos(-\frac{1}{3}) + \beta_n$$

then $\mathrm{VR}_r(\mathbb{C}\mathbb{P}^n)$ is homotopy equivalent to X .

Proof By Hausmann’s theorem [[50](#), [Theorem 3.5](#)], there exist $\alpha_n > 0$ such that $\mathrm{VR}_r(\mathbb{C}\mathbb{P}^n)$ is homotopy equivalent to $\mathbb{C}\mathbb{P}^n$ for any $r \in (0, \alpha_n]$. Also, by [[56](#), [Theorem 8.1](#)], α_n cannot be greater than $\arccos(-\frac{1}{3})$. The second claim is a direct result of [Theorem 4.1](#) and [[56](#), [Theorem 8.1](#)]. □

7.3 The case of spheres with the ℓ^∞ -metric

The Vietoris–Rips filtration of \mathbb{S}^1 with the usual geodesic metric is quite challenging to understand [[1](#)]. However, it turns out that if we change its underlying metric, the situation becomes very simple. Throughout this section, all metric spaces of interest are embedded in $(\mathbb{R}^n, \ell^\infty)$ and are endowed with the restriction of the ambient space metric. In particular, in this section, for any $n \in \mathbb{Z}_{>0}$,

- (1) $\mathbb{R}_\infty^n = (\mathbb{R}^n, \ell^\infty)$,
- (2) $\mathbb{D}_\infty^n := (\{(x_1, \dots, x_n) \in \mathbb{R}^n \mid \sum_{i=1}^n x_i^2 \leq 1\}, \ell^\infty)$,
- (3) $\mathbb{S}_\infty^{n-1} := (\{(x_1, \dots, x_n) \in \mathbb{R}^n \mid \sum_{i=1}^n x_i^2 = 1\}, \ell^\infty)$,

(4) $\blacksquare_\infty^n := (\{(x_1, \dots, x_n) \in \mathbb{R}^n \mid x_i \in [-1, 1] \text{ for every } i = 1, \dots, n\}, \ell^\infty)$,

(5) $\square_\infty^{n-1} := (\{(x_1, \dots, x_n) \in \mathbb{R}^n \mid (x_1, \dots, x_n) \in \blacksquare_\infty^n \text{ and } x_i = \pm 1 \text{ for some } i = 1, \dots, n\}, \ell^\infty)$.

Note that \blacksquare_∞^n is just the unit closed ℓ^∞ -ball around the origin in \mathbb{R}_∞^n and \square_∞^{n-1} is its boundary.

The following theorem by Kılıç and Koçak is the motivation of this subsection:

Theorem 7.11 [59, Theorem 2] *Let X and Y be subspaces of \mathbb{R}_∞^2 . If Y contains X , is closed, geodesically convex,³ and minimal (with respect to inclusion) with these properties, then Y is the tight span of X .*

Theorem 7.11 has a number of interesting consequences.

Lemma 7.12 \blacksquare_∞^2 is the tight span of \square_∞^1 . Moreover,

$$B_r(\square_\infty^1, \blacksquare_\infty^2) = \begin{cases} [-1, 1]^2 \setminus [-(1-r), (1-r)]^2 & \text{if } r \in (0, 1], \\ [-1, 1]^2 & \text{if } r > 1. \end{cases}$$

Proof By Theorem 7.11, the first claim is straightforward. The second claim, namely the explicit expression of $B_r(\square_\infty^1, \blacksquare_\infty^2)$ is also obvious since we are using the ℓ^∞ -norm. □

Corollary 7.13 $B_r(\square_\infty^1, \blacksquare_\infty^2)$ is homotopy equivalent to \mathbb{S}^1 for $r \in (0, 1]$ and contractible for $r > 1$. Hence, for any field \mathbb{F} ,

$$\text{barc}_k^{\text{VR}}(\square_\infty^1, \mathbb{F}) = \begin{cases} \{(0, \infty)\} & \text{if } k = 0, \\ \{(0, 2]\} & \text{if } k = 1, \\ \emptyset & \text{if } k \geq 2. \end{cases}$$

Proof Apply Lemma 7.12 and Theorem 4.1. □

Interestingly, one can also prove the following result:

Lemma 7.14 \mathbb{D}_∞^2 is the tight span of \mathbb{S}_∞^1 . Moreover,

$$B_r(\mathbb{S}_\infty^1, \mathbb{D}_\infty^2) = \mathbb{D}_\infty^2 \setminus V_r$$

for any $r > 0$, where

$$V_r := \bigcap_{(p,q) \in \{r, -r\}^2} \{(x, y) \in \mathbb{R}^2 \mid (x - p)^2 + (y - q)^2 \leq 1\}.$$

In particular, for $r > 1/\sqrt{2}$ we have $V_r = \emptyset$, so $B_r(\mathbb{S}_\infty^1, \mathbb{D}_\infty^2) = \mathbb{D}_\infty^2$ (see Figure 1).

Proof By Theorem 7.11, the first claim is straightforward.

Fix an arbitrary $(z + t, w + s) \in B_r(\mathbb{S}_\infty^1, \mathbb{D}_\infty^2)$, where $z^2 + w^2 = 1$ and $t, s \in (-r, r)$. Suppose $z \geq 0$ and $w \geq 0$. Then

$$(z + t + r)^2 + (w + s + r)^2 = z^2 + w^2 + (t + r)^2 + (s + r)^2 + 2z(t + r) + 2w(s + r) > 1$$

³That is, for any $p, q \in Y$, there exists at least one geodesic in \mathbb{R}_∞^2 between p and q which is fully contained in Y .

because of the assumptions on $z, w, t,$ and s . Therefore, $(z + t, w + s) \notin V_r$, so $(z + t, w + s) \in \mathbb{D}_\infty^2 \setminus V_r$. By symmetry, the same result holds for other possible sign combinations of z and w . Hence, we have $B_r(\mathbb{S}_\infty^1, \mathbb{D}_\infty^2) \subseteq \mathbb{D}_\infty^2 \setminus V_r$.

Now, fix an arbitrary $(x, y) \in \mathbb{D}_\infty^2 \setminus V_r$. Since $(x, y) \notin V_r$, without loss of generality, one can assume that $(x + r)^2 + (y + r)^2 > 1$. Also, $x^2 + y^2 \leq 1$ since $(x, y) \in \mathbb{D}_\infty^2$. Then, there must be some $t \in [0, r]$ such that $(x + t)^2 + (y + t)^2 = 1$. It follows that $(x, y) \in B_r(\mathbb{S}_\infty^1, \mathbb{D}_\infty^2)$. Since (x, y) is an arbitrary point in $\mathbb{D}_\infty^2 \setminus V_r$ it follows that $\mathbb{D}_\infty^2 \setminus V_r \subseteq B_r(\mathbb{S}_\infty^1, \mathbb{D}_\infty^2)$.

With this we conclude that $B_r(\mathbb{S}_\infty^1, \mathbb{D}_\infty^2) = \mathbb{D}_\infty^2 \setminus V_r$, as we wanted. □

Corollary 7.15 $B_r(\mathbb{S}_\infty^1, \mathbb{D}_\infty^2)$ is homotopy equivalent to \mathbb{S}^1 for $r \in (0, 1/\sqrt{2}]$ and contractible for $r > 1/\sqrt{2}$. Hence, for any field \mathbb{F} ,

$$\text{barc}_k^{\text{VR}}(\mathbb{S}_\infty^1, \mathbb{F}) = \begin{cases} \{(0, \infty)\} & \text{if } k = 0, \\ \{(0, \sqrt{2})\} & \text{if } k = 1, \\ \emptyset & \text{if } k \geq 2. \end{cases}$$

Proof Apply Lemma 7.14 and Theorem 4.1. □

Moreover, it turns out that, despite the fact that Theorem 7.11 is restricted to subsets of \mathbb{R}^2 , Lemma 7.12 can be generalized to arbitrary dimensions.

Lemma 7.16 For any $n \in \mathbb{Z}_{>0}$, \blacksquare_∞^n is the tight span of \square_∞^{n-1} . Moreover,

$$B_r(\square_\infty^{n-1}, \blacksquare_\infty^n) = \begin{cases} [-1, 1]^n \setminus [-(1-r), 1-r]^n & \text{if } r \in (0, 1], \\ [-1, 1]^n & \text{if } r > 1. \end{cases}$$

Proof When $n \geq 3$ one cannot invoke Theorem 7.11 since it does not hold for general n ; see [59, Example 5]. We will instead directly prove that \blacksquare_∞^n is the tight span of \square_∞^{n-1} .

First, observe that $\blacksquare_\infty^n = \bar{B}_1(O, \mathbb{R}_\infty^n)$, where $O = (0, \dots, 0)$ is the origin, is hyperconvex by Lemma 2.17.

Therefore, in order to show that \blacksquare_∞^n is indeed the tight span of \square_∞^{n-1} , it is enough to show that there is no proper hyperconvex subspace of \blacksquare_∞^n containing \square_∞^{n-1} . Suppose this is not true. Then there exists a proper hyperconvex subspace X such that $\square_\infty^{n-1} \subseteq X \subsetneq \blacksquare_\infty^n$. Choose $p = (x_1, \dots, x_n) \in \blacksquare_\infty^n \setminus X$. Without loss of generality, one can assume $x_1 \geq \dots \geq x_n$. Now, let

$$\begin{aligned} p_0 &:= (x_1 - (x_n + 1), x_2 - (x_n + 1), \dots, -1), \\ p_1 &:= (1, x_2 + (1 - x_1), \dots, x_n + (1 - x_1)). \end{aligned}$$

See Figure 4. Then it is clear that $p_0, p_1 \in \square_\infty^{n-1} \subseteq X$ and

$$\|p_0 - p_1\|_\infty = (x_n + 1) + (1 - x_1) = \|p_0 - p\|_\infty + \|p - p_1\|_\infty.$$

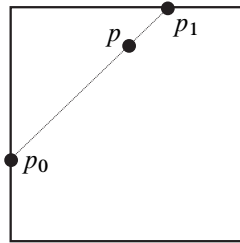


Figure 4: The points p , p_0 and p_1 in the proof of Lemma 7.16.

Therefore, since X is hyperconvex, we know that

$$\bar{B}_{\|p_0-p\|_\infty}(p_0, X) \cap \bar{B}_{\|p-p_1\|_\infty}(p_1, X) \neq \emptyset.$$

However, note that

$$\bar{B}_{\|p_0-p\|_\infty}(p_0, X) \cap \bar{B}_{\|p-p_1\|_\infty}(p_1, X) \subseteq \bar{B}_{\|p_0-p\|_\infty}(p_0, \mathbb{R}_\infty^n) \cap \bar{B}_{\|p-p_1\|_\infty}(p_1, \mathbb{R}_\infty^n) = \{p\}.$$

This means that $p \in X$, which is a contradiction; hence no such X exists. Therefore, \blacksquare_∞^n is the tight span of \square_∞^{n-1} , as we required.

The second claim, namely the explicit expression of $B_r(\square_\infty^{n-1}, \blacksquare_\infty^n)$ is obvious since we are using the ℓ^∞ -norm. □

Corollary 7.17 For any $n \in \mathbb{Z}_{>0}$, $B_r(\square_\infty^{n-1}, \blacksquare_\infty^n)$ is homotopy equivalent to \mathbb{S}^{n-1} for $r \in (0, 1]$ and contractible for $r > 1$. Hence, for any field \mathbb{F} ,

$$\text{barc}_k^{\text{VR}}(\square_\infty^{n-1}, \mathbb{F}) = \begin{cases} \{(0, \infty)\} & \text{if } k = 0, \\ \{(0, 2]\} & \text{if } k = n - 1, \\ \emptyset & \text{otherwise,} \end{cases}$$

for $n \geq 2$, and

$$\text{barc}_k^{\text{VR}}(\square_\infty^0, \mathbb{F}) = \begin{cases} \{(0, \infty), (0, 2]\} & \text{if } k = 0, \\ \emptyset & \text{if } k \geq 1. \end{cases}$$

Proof Apply Lemma 7.16 and Theorem 4.1. □

Remark 7.18 It seems of interest to study the homotopy types of Vietoris–Rips complexes of ellipsoids with the ℓ^∞ -metric; see [4].

Here, observant readers would have already noticed that we do not need to use the tight spans of \mathbb{S}_∞^1 and \square_∞^{n-1} in order to apply Theorem 4.1 since \mathbb{R}_∞^n itself is an injective metric space for any $n \in \mathbb{Z}_{>0}$. In particular, the persistent homology of \square_∞^{n-1} is simpler to compute if we use \mathbb{R}_∞^n as an ambient space. However, we believe that it is worth clarifying what are the tight spans of \mathbb{S}_∞^1 and \square_∞^{n-1} since the exact shape of tight spans are largely mysterious in general.

We do not know whether \mathbb{D}_∞^n is the tight span of \mathbb{S}_∞^{n-1} for general n . However, if we use \mathbb{R}_∞^n as an ambient injective metric space, we are still able to compute its persistent homology.

Theorem 7.19 For any $n \in \mathbb{Z}_{>0}$ and $r > 0$,

$$B_r(\mathbb{S}_\infty^{n-1}, \mathbb{R}_\infty^n) \simeq B_r(\mathbb{S}_\infty^{n-1}, \mathbb{D}_\infty^n) = \mathbb{D}_\infty^n \setminus V_{n,r},$$

where

$$V_{n,r} := \bigcap_{(p_1, \dots, p_n) \in \{r, -r\}^n} \left\{ (x_1, \dots, x_n) \in \mathbb{R}^n \mid \sum_{i=1}^n (x_i - p_i)^2 \leq 1 \right\}.$$

In particular, for $r > 1/\sqrt{n}$ we have $V_{n,r} = \emptyset$, so $B_r(\mathbb{S}_\infty^{n-1}, \mathbb{D}_\infty^n) = \mathbb{D}_\infty^n$. As a result, $B_r(\mathbb{S}_\infty^{n-1}, \mathbb{R}_\infty^n)$ is homotopy equivalent to \mathbb{S}^{n-1} for $r \in (0, 1/\sqrt{n}]$ and contractible for $r > 1/\sqrt{n}$ (see Figure 1 for an illustration for the case when $n = 2$).

Proof First, let's prove that $B_r(\mathbb{S}_\infty^{n-1}, \mathbb{D}_\infty^n)$ is a deformation retract of $B_r(\mathbb{S}_\infty^{n-1}, \mathbb{R}_\infty^n)$. Consider the map $P_n: \{(x_1, \dots, x_n) \in \mathbb{R}^n \mid \sum_{i=1}^n x_i^2 \geq 1\} \rightarrow \mathbb{S}_\infty^{n-1}$ such that $P_n(x_1, \dots, x_n)$ is the unique point of \mathbb{S}_∞^{n-1} such that $\|(x_1, \dots, x_n) - P_n(x_1, \dots, x_n)\|_\infty = \inf_{(y_1, \dots, y_n) \in \mathbb{S}_\infty^{n-1}} \|(x_1, \dots, x_n) - (y_1, \dots, y_n)\|_\infty$. Observe that it is easy (but very tedious) to prove that P_n is well-defined, continuous, and that $P_n|_{\mathbb{S}_\infty^{n-1}} = \text{id}_{\mathbb{S}_\infty^{n-1}}$.

Now, for any $r > 0$, consider the homotopy

$$h_{n,r}: B_r(\mathbb{S}_\infty^{n-1}, \mathbb{R}_\infty^n) \times [0, 1] \rightarrow B_r(\mathbb{S}_\infty^{n-1}, \mathbb{R}_\infty^n),$$

$$(x_1, \dots, x_n, t) \mapsto \begin{cases} (x_1, \dots, x_n) & \text{if } (x_1, \dots, x_n) \in \mathbb{D}_\infty^n, \\ (1-t)(x_1, \dots, x_n) + tP_n(x_1, \dots, x_n) & \text{if } (x_1, \dots, x_n) \notin \mathbb{D}_\infty^n. \end{cases}$$

The only subtle point is ascertaining whether the image of this map is contained in $B_r(\mathbb{S}_\infty^{n-1}, \mathbb{R}_\infty^n)$. For this, note that $\|(x_1, \dots, x_n) - P_n(x_1, \dots, x_n)\|_\infty < r$ by the definition of P_n and the fact that (x_1, \dots, x_n) is in $B_r(\mathbb{S}_\infty^{n-1}, \mathbb{R}_\infty^n)$. Therefore, both (x_1, \dots, x_n) and $P_n(x_1, \dots, x_n)$ belong to $B_r(P_n(x_1, \dots, x_n), \mathbb{R}_\infty^n)$, so the linear interpolation is also contained in $B_r(P_n(x_1, \dots, x_n), \mathbb{R}_\infty^n) \subset B_r(\mathbb{S}_\infty^{n-1}, \mathbb{R}_\infty^n)$. Hence, one can conclude that $B_r(\mathbb{S}_\infty^{n-1}, \mathbb{D}_\infty^n)$ is a deformation retract of $B_r(\mathbb{S}_\infty^{n-1}, \mathbb{R}_\infty^n)$.

Next, let's prove that $B_r(\mathbb{S}_\infty^{n-1}, \mathbb{D}_\infty^n) = \mathbb{D}_\infty^n \setminus V_{n,r}$. Fix an arbitrary $(z_1 + t_1, \dots, z_n + t_n) \in B_r(\mathbb{S}_\infty^{n-1}, \mathbb{D}_\infty^n)$ where $\sum_{i=1}^n z_i^2 = 1$ and $t_i \in (-r, r)$ for all $i = 1, \dots, n$. Consider the case of $z_i \geq 0$ for all $i = 1, \dots, n$. Then

$$\sum_{i=1}^n (z_i + t_i + r)^2 = \sum_{i=1}^n z_i^2 + \sum_{i=1}^n (t_i + r)^2 + \sum_{i=1}^n 2z_i(t_i + r) > 1$$

by the assumptions on $\{z_i\}_{i=1}^n$ and $\{t_i\}_{i=1}^n$. Therefore, $(z_1 + t_1, \dots, z_n + t_n) \notin V_{n,r}$, so

$$(z_1 + t_1, \dots, z_n + t_n) \in \mathbb{D}_\infty^n \setminus V_{n,r}.$$

By symmetry, the same result holds for other possible sign combinations of the z_i . Hence, we have $B_r(\mathbb{S}_\infty^{n-1}, \mathbb{D}_\infty^n) \subseteq \mathbb{D}_\infty^n \setminus V_{n,r}$.

Now, fix arbitrary $(x_1, \dots, x_n) \in \mathbb{D}_\infty^n \setminus V_{n,r}$. Since $(x_1, \dots, x_n) \notin V_{n,r}$, without loss of generality, one can assume that $\sum_{i=1}^n (x_i + r)^2 > 1$. Also, $\sum_{i=1}^n x_i^2 \leq 1$ since $(x_1, \dots, x_n) \in \mathbb{D}_\infty^n$. Then, there must

be some $t \in [0, r)$ such that $\sum_{i=1}^n (x_i + t)^2 = 1$. It follows that $(x_1, \dots, x_n) \in B_r(\mathbb{S}_\infty^{n-1}, \mathbb{D}_\infty^n)$. Since (x_1, \dots, x_n) is an arbitrary point in $\mathbb{D}_\infty^n \setminus V_{n,r}$ it follows that $\mathbb{D}_\infty^n \setminus V_{n,r} \subseteq B_r(\mathbb{S}_\infty^{n-1}, \mathbb{D}_\infty^n)$.

With this we conclude that $B_r(\mathbb{S}_\infty^{n-1}, \mathbb{D}_\infty^n) = \mathbb{D}_\infty^n \setminus V_{n,r}$. □

Corollary 7.20 For any $n \geq 2$, $B_r(\mathbb{S}_\infty^{n-1}, \mathbb{R}_\infty^n)$ is homotopy equivalent to \mathbb{S}^{n-1} for $r \in (0, 1/\sqrt{n}]$ and contractible for $r > 1/\sqrt{n}$. Hence, for any field \mathbb{F} ,

$$\text{barc}_k^{\text{VR}}(\mathbb{S}_\infty^{n-1}, \mathbb{F}) = \begin{cases} \{(0, \infty)\} & \text{if } k = 0, \\ \{(0, 2/\sqrt{n}]\} & \text{if } k = n - 1, \\ \emptyset & \text{otherwise.} \end{cases}$$

Proof Apply Theorems 7.19 and 4.1. □

8 Application: hyperbolicity and persistence

One can reap benefits from the fact that one can choose *any* metric homotopy pairing in the statement of Theorem 4.1, not just the Kuratowski functor.

In this section, we will see one such example which arises from the interplay between the *hyperbolicity* of the geodesic metric space X and its tight span $E(X)$ (see Example 3.9 to recall the definition of tight span).

We first recall the notion of hyperbolicity.

Definition 8.1 (δ -hyperbolicity) A metric space (X, d_X) is called δ -hyperbolic, for some constant $\delta \geq 0$, if

$$d_X(w, x) + d_X(y, z) \leq \max\{d_X(w, y) + d_X(x, z), d_X(x, y) + d_X(w, z)\} + \delta$$

for all quadruples of points $w, x, y, z \in X$. If a metric space is δ -hyperbolic for some $\delta \geq 0$, it is said to be hyperbolic.

The *hyperbolicity* $\text{hyp}(X)$ of X is defined as the infimal $\delta \geq 0$ such that X is δ -hyperbolic. A metric space is said to be *hyperbolic* if $\text{hyp}(X)$ is finite.

For a more concrete development on the geometry of hyperbolic metric spaces and its applications (especially to group theory), see [14; 47].

Example 8.2 Here are some examples of hyperbolic spaces:

- (1) Metric trees are 0-hyperbolic spaces.
- (2) All compact Riemannian manifolds are trivially hyperbolic spaces. More interestingly, among unbounded manifolds, Riemannian manifolds with strictly negative sectional curvature are hyperbolic spaces. Observe that “strictly negative” sectional curvature is a necessary condition (for example, consider the Euclidean plane \mathbb{R}^2).

The following proposition guarantees that the tight span $E(X)$ preserves the hyperbolicity of the underlying space X with controlled distortion:

Proposition 8.3 [60, Proposition 1.3] *If X is a δ -hyperbolic geodesic metric space for some $\delta \geq 0$, then its tight span $E(X)$ is also δ -hyperbolic. Moreover,*

$$B_r(X, E(X)) = E(X)$$

for any $r > \delta$.

Remark 8.4 Since X embeds isometrically into $E(X)$, the above implies that

$$\text{hyp}(E(X)) = \text{hyp}(X).$$

The following corollary was already established by Gromov (who attributes it to Rips) in [47, Lemma 1.7.A]. The proof given by Gromov operates at the simplicial level. By invoking Proposition 8.3 we obtain an alternative proof, which instead of operating the simplicial level, exploits the isometric embedding of X into its tight span $E(X)$ (which is a compact contractible space).

Corollary 8.5 *If X is a hyperbolic geodesic metric space, then $\text{VR}_{2r}(X)$ is contractible for any $r > \text{hyp}(X)$.*

Proof Choose an arbitrary $r > \text{hyp}(X)$. Then, there is $\delta \in [\text{hyp}(X), r)$ such that X is δ -hyperbolic.

By Proposition 2.27, $\text{VR}_{2r}(X)$ is homotopy equivalent to $B_r(X, E(X))$. But, by Proposition 8.3, $B_r(X, E(X)) = E(X)$. Since $E(X)$ is contractible by Corollary 2.21, $\text{VR}_{2r}(X)$ is contractible. \square

As a consequence one can bound the length of intervals in the persistence barcode of hyperbolic spaces.

Corollary 8.6 *If X is a hyperbolic geodesic metric space, then for any $k \geq 1$ and $I = (u, v] \in \text{barc}_k^{\text{VR}}(X; \mathbb{F})$, we have $v \leq 2 \text{hyp}(X)$. In particular, $\text{length}(I) \leq 2 \text{hyp}(X)$.*

Proof Apply Corollary 8.5. \square

Observe that metric trees are both 0-hyperbolic and hyperconvex. A recent paper by Joharinad and Jost [53] analyzes the persistent homology of metric spaces satisfying the hyperconvexity condition (which is equivalent to injectivity) as well as that of spaces satisfying a relaxed version of hyperconvexity.

9 Application: the filling radius, spread, and persistence

In this section, we recall the notions of spread and filling radius, as well as their relationship. In particular, we prove a number of statements about the filling radius of a closed connected manifold. Moreover, we consider a generalization of the filling radius and also define a strong notion of filling radius which is akin to the so-called *maximal persistence* in the realm of topological data analysis.

9.1 Spread

We recall a metric concept called *spread*. The following definition is a variant of the one given in [54, Lemma 1]:

Definition 9.1 (N -spread) For any integer $N \in \mathbb{Z}_{>0}$, the N^{th} *spread* $\text{spread}_N(X)$ of a metric space (X, d_X) is the infimal $r > 0$ such that there exists a subset A of X with cardinality at most N such that

- $\text{diam}(A) < r$,
- $\sup_{x \in X} \inf_{a \in A} d_X(x, a) < r$.

Finally, the *spread* of X is defined to be $\text{spread}(X) := \inf_N \text{spread}_N(X)$, ie the set A is allowed to have arbitrary (finite) cardinality.

Remark 9.2 Recall that the *radius* of a compact metric space (X, d_X) is

$$\text{rad}(X) := \inf_{p \in X} \max_{x \in X} d_X(p, x).$$

Thus, $\text{rad}(X) = \text{spread}_1(X)$.

Remark 9.3 (the spread of spheres) Katz proves in [54, Theorem 2] that for all integers $n \geq 1$,

$$\text{spread}(\mathbb{S}^n) = \arccos\left(\frac{-1}{n+1}\right).$$

For example, $\text{spread}(\mathbb{S}^1) = \frac{2\pi}{3}$. Notice that $\text{spread}(\mathbb{S}^m) \geq \text{spread}(\mathbb{S}^n) \geq \frac{\pi}{2}$ for $m \leq n$. Katz’s proof actually yields that

$$\text{spread}_{n+2}(\mathbb{S}^n) = \text{spread}(\mathbb{S}^n)$$

for each n .

9.2 Bounding barcode length via spread

Let (X, d_X) be a compact metric space. Recall that for each integer $k \geq 0$, $\text{barc}_k^{\text{VR}}(X; \mathbb{F})$ denotes the persistence barcode associated to $\text{PH}_k(\text{VR}_*(X); \mathbb{F})$, the k^{th} persistent homology induced by the Vietoris–Rips filtration of X (see Section 2.1).

The following lemma is due to Katz [54, Lemma 1]:

Lemma 9.4 Let (X, d_X) be a compact metric space. Then, for any $\delta > \frac{1}{2} \text{spread}(X)$, there exists a contractible space U such that $X \subseteq U \subseteq B_\delta(X, L^\infty(X))$.

Remark 9.5 Via the isomorphism theorem, Katz’s lemma implies the fact that whenever $I = (0, v] \in \text{barc}_*^{\text{VR}}(X)$, we have $v \leq \text{spread}(X)$. The lemma does not permit bounding the length of intervals whose left endpoint is strictly greater than zero.

It turns out that we can prove a general version of Lemma 9.4 for closed s -thickenings $\bar{B}_s(X, L^\infty(X))$ for any $s \geq 0$.

Lemma 9.6 *Let (X, d_X) be a compact metric space. Then, for any $s \geq 0$ and $\delta > \frac{1}{2} \text{spread}(X)$, there exists a contractible space $U_{s,\delta}$ such that $\bar{B}_s(X, L^\infty(X)) \subseteq U_{s,\delta} \subseteq B_{s+\delta}(X, L^\infty(X))$.*

Note that [Lemma 9.4](#) can be obtained from the case $s = 0$ in [Lemma 9.6](#). We provide a detailed self-contained proof of this general version in [Section 9.2.2](#).

Armed with [Lemma 9.6](#) and [Theorem 4.1](#), one immediately obtains item (1) in the proposition below:

Proposition 9.7 *Let (X, d_X) be a compact metric space, $k \geq 1$, and let I be any interval in $\text{barc}_k^{\text{VR}}(X; \mathbb{F})$. Then*

- (1) $\text{length}(I) \leq \text{spread}(X)$, and
- (2) if $I = (u, v]$ for some $0 < u < v$, then $v \leq \text{spread}_1(X)$.

Remark 9.8 Item (2) of the proposition above implies that the right endpoint of any interval I (often referred to as the *death time* of I) cannot exceed the radius $\text{rad}(X)$ of X ; see [Remark 9.2](#).

Note that by [\[54, Section 1\]](#), when X is a geodesic space (eg a Riemmanian manifold),

$$\text{spread}(X) \leq \frac{2}{3} \text{diam}(X).$$

This means that we have the following universal bound on the length of intervals in the Vietoris–Rips persistence barcode of a geodesic space X :

Corollary 9.9 (bound on length of bars of geodesic spaces) *Let X be a compact geodesic space. Then, for any $k \geq 1$ and any $I \in \text{barc}_k^{\text{VR}}(X; \mathbb{F})$,*

$$\text{length}(I) \leq \frac{2}{3} \text{diam}(X).$$

Remark 9.10 • For $k = 1$, \mathbb{S}^1 achieves equality in the corollary above. Indeed, this follows from [\[1\]](#) since the longest interval in $\text{barc}_k^{\text{VR}}(\mathbb{S}^1)$ corresponds to $k = 1$ and is exactly $(0, \frac{2\pi}{3}]$.

- Since $\text{VR}_r(X)$ is contractible for any $r > \text{diam}(X)$, it is clear that $\text{length}(I) \leq \text{diam}(X)$ in general. The corollary above improves this bound by a factor of $\frac{2}{3}$ when X is geodesic.
- In [\[54\]](#), Katz proves that the filling radius of a manifold is bounded above by $\frac{1}{3}$ of its diameter. Our result is somewhat more general than Katz’s in two senses: his claim applies to Riemannian manifolds M and only provides information about the interval induced by the fundamental class of the manifold (see [Proposition 9.28](#)). In contrast, [Corollary 9.9](#) applies to any compact geodesic space and in this case it provides the same upper bound for the length any interval in $\text{barc}_k^{\text{VR}}(X; \mathbb{F})$, for any k .
- Besides the proof via [Lemma 9.6](#) and [Theorem 4.1](#) explained above, we provide an alternative direct proof of [Proposition 9.7](#) via simplicial arguments. We believe each proof is interesting in its own right.

Proof of Proposition 9.7 via simplicial arguments Let $\delta > \text{spread}(X)$. It is enough to show that for each $s > 0$, the map

$$H_k(\text{VR}_s(X); \mathbb{F}) \rightarrow H_k(\text{VR}_{\delta+s}(X); \mathbb{F})$$

induced by the inclusion is zero. By the definition of spread, we know that there is a nonempty finite subset $A \subseteq X$ such that

- $\text{diam}(A) < \delta$,
- $\sup_{x \in X} \inf_{a \in A} d_X(x, a) < \delta$.

Note that then $H_k(\text{VR}_\delta(A); \mathbb{F}) = 0$ because $\text{VR}_\delta(A)$ is a simplex. Let $\pi : X \rightarrow A$ be a map sending x to a closest point in A . Then $d_X(x, \pi(x)) < \delta$ for any $x \in X$ because of the second property of A (moreover, $\pi(x) = x$ if $x \in A$). Observe that, since $\text{diam}(\pi(\sigma)) < \delta$ for any simplex $\sigma \in \text{VR}_s(X)$ by the first property of A , this map π induces a simplicial map from $\text{VR}_s(X)$ to $\text{VR}_\delta(A)$. Hence, one can construct a composite map ν from $\text{VR}_s(X)$ to $\text{VR}_{\delta+s}(X)$,

$$\text{VR}_s(X) \xrightarrow{\pi} \text{VR}_\delta(A) \hookrightarrow \text{VR}_\delta(X) \hookrightarrow \text{VR}_{\delta+s}(X),$$

where the second and third maps are induced by the canonical inclusions. Observe that this composition of maps induces a map from $H_k(\text{VR}_s(X))$ to $H_k(\text{VR}_{\delta+s}(X))$, and this induced map is actually the zero map since $H_k(\text{VR}_\delta(A); \mathbb{F}) = 0$. So, it is enough to show that the composite map ν is contiguous to the canonical inclusion $\text{VR}_s(X) \hookrightarrow \text{VR}_{\delta+s}(X)$. Let $\sigma = \{x_0, \dots, x_n\}$ be a subset of X with diameter strictly less than s . Let $a_i := \pi(x_i)$ for $i = 0, 1, \dots, n$. Then

$$d_X(x_i, a_j) \leq d_X(x_i, x_j) + d_X(x_j, a_j) < \delta + s.$$

Hence the diameter of the subspace $\{x_1, \dots, x_k, a_1, \dots, a_k\}$ is strictly less than $\delta + s$. This shows the desired contiguity and completes the proof. The proof of (2) follows similar (but simpler) steps and thus we omit it. □

Remark 9.11 Whereas the proof of Lemma 1 in [54] takes place at the level of $L^\infty(X)$, the proof of Proposition 9.7 given above takes place at the level of simplicial complexes and simplicial maps.

9.2.1 Bounds based on localization of spread One can improve Proposition 9.7 by considering a localized version of spread. Note that, in [6], Adams and Coskunuzer also built some bounds on the length of barcodes based on certain notions of size of homology classes.

For an integer $k \geq 0$, a given field \mathbb{F} , and a metric space X , let

$$\text{Spec}_k(X, \mathbb{F}) := \bigcup_{r>0} (H_k(\text{VR}_r(X); \mathbb{F}) \setminus \{0\} \times \{r\})$$

be the k^{th} Vietoris–Rips homological spectrum of X (with coefficients in \mathbb{F}). Note that we only consider nonzero elements of $H_k(\text{VR}_r(X); \mathbb{F})$ in the definition $\text{Spec}_k(X, \mathbb{F})$ to avoid trivial cases (there can be no positive length bars associated to a zero element).

Example 9.12 Consider $X = \{0, 1\}$ equipped with the metric inherited from \mathbb{R} . Then, for any field \mathbb{F} ,

$$\text{Spec}_0(X, \mathbb{F}) = \left(\bigcup_{r \in (0, 1]} \text{Span}_{\mathbb{F}}(\{\mu_r, \nu_r\}) \times \{r\} \right) \cup \left(\bigcup_{r > 1} \text{Span}_{\mathbb{F}}(\{\omega_r\}) \times \{r\} \right),$$

where μ_r and $\nu_r \in H_0(\text{VR}_r(X); \mathbb{F}) \setminus \{0\}$ are the homology classes homologous to 0 and 1, respectively, for $r \in (0, 1]$, and $\omega_r \in H_0(\text{VR}_r(X); \mathbb{F}) \setminus \{0\}$ is the homology class homologous to both 0 and 1 for $r > 1$ (ie $\omega_r = (i_{r', r})_*(\mu_{r'}) = (i_{r', r})_*(\nu_{r'})$ for any $r' \in (0, 1]$ and $r > 1$).

Definition 9.13 (prelocalized spread of a homology class) For each $(\omega, s) \in \text{Spec}_k(X, \mathbb{F})$ we define the *prelocalized spread* of (ω, s) as

$$\text{pspread}(X; \omega, s) := \inf_{B \in S(\omega, s)} \text{spread}(B),$$

where $S(\omega, s)$ denotes the collection of all $B \subseteq X$ such that $\omega = \iota_*([c])$, c is a simplicial k -cycle on $\text{VR}_s(B)$, and $\iota: B \hookrightarrow X$ is the canonical inclusion.

Any B as in the definition above will be said to *support* the homology class $(\omega, s) \in \text{Spec}_k(X, \mathbb{F})$.

Lemma 9.14 Suppose $(\omega, s) \in \text{Spec}_k(X, \mathbb{F})$ and $k \geq 1$ are given. Then for any $\delta > \text{pspread}(X; \omega, s)$,

$$(i_{s, (s+\delta)})_*(\omega) = 0,$$

where $i_{s, (s+\delta)}: \text{VR}_s(X) \hookrightarrow \text{VR}_{s+\delta}(X)$ is the canonical inclusion.

Proof By the definition of $\text{pspread}(X; \omega, s)$, there exists $B \subseteq X$ such that $\omega = \iota_*([c])$ where c is a simplicial k -cycle on $\text{VR}_s(B)$ and $\text{spread}(B) < \delta$. Then, as in the proof of [Proposition 9.7](#), one can prove that

$$(j_{s, (s+\delta)})_*: H_k(\text{VR}_s(B); \mathbb{F}) \rightarrow H_k(\text{VR}_{s+\delta}(B); \mathbb{F})$$

is the zero map, where $j_{s, (s+\delta)}: \text{VR}_s(B) \hookrightarrow \text{VR}_{s+\delta}(B)$ is the canonical inclusion. Hence,

$$(j_{s, (s+\delta)})_*([c]) = 0.$$

Furthermore, note that the diagram

$$\begin{array}{ccc} H_k(\text{VR}_s(B); \mathbb{F}) & \xrightarrow{(j_{s, (s+\delta)})_*} & H_k(\text{VR}_{s+\delta}(B); \mathbb{F}) \\ \iota_* \downarrow & & \downarrow \iota_* \\ H_k(\text{VR}_s(X); \mathbb{F}) & \xrightarrow{(i_{s, (s+\delta)})_*} & H_k(\text{VR}_{s+\delta}(X); \mathbb{F}) \end{array}$$

commutes, where all the arrows are maps induced by canonical inclusions. Hence, one can conclude $(i_{s, (s+\delta)})_*(\omega) = 0$ as we required. □

Now, fix an arbitrary $(\omega, s) \in \text{Spec}_k(X, \mathbb{F})$. Then, let

$$u_{(\omega, s)} := \inf\{r > 0 \mid r \leq s \text{ and } \exists \text{ nonzero } \omega_r \in H_k(\text{VR}_r(X); \mathbb{F}) \text{ such that } (i_{r, s})_*(\omega_r) = \omega\},$$

$$v_{(\omega, s)} := \sup\{t > 0 \mid t \geq s \text{ and } \exists \text{ nonzero } \omega_t \in H_k(\text{VR}_t(X); \mathbb{F}) \text{ such that } (i_{s, t})_*(\omega) = \omega_t\}.$$

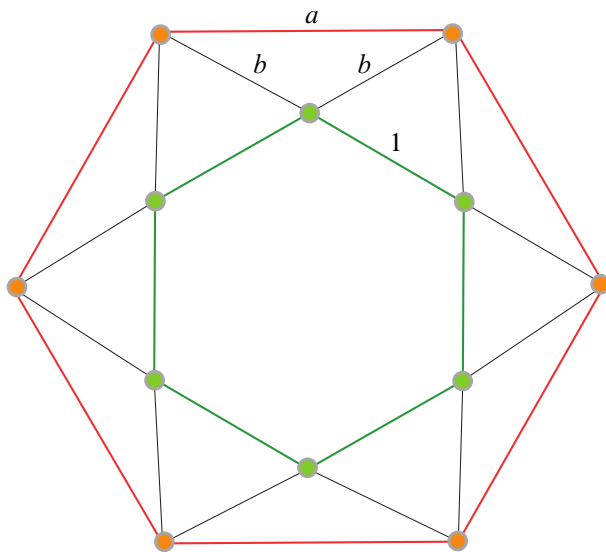


Figure 5: See Example 9.16. In this example, X is the set of vertices of the above metric graph (in green and orange) where $1 < a < b < 2$. Then, $\text{barc}_1^{\text{VR}}(X; \mathbb{F}) = \{(1, 2], (a, b]\}$, while one can choose $(\omega, s) \in \text{Spec}_1(X, \mathbb{F})$ such that $I_{(\omega, s)} = (a, 2] \notin \text{barc}_1^{\text{VR}}(X; \mathbb{F})$.

With an argument similar to the one used in Section 5, one can prove that $u_{(\omega, s)} < s \leq v_{(\omega, s)}$. Let

$$I_{(\omega, s)} := \begin{cases} (u_{(\omega, s)}, v_{(\omega, s)}] & \text{if } v_{(\omega, s)} < \infty, \\ (u_{(\omega, s)}, \infty) & \text{otherwise.} \end{cases}$$

Intuitively, the interval $I_{(\omega, s)}$ is the maximal (left open, right closed) interval containing s inside which the class ω can be “propagated”.

Remark 9.15 If $(\omega, s), (\omega', s') \in \text{Spec}_k(X, \mathbb{F})$, $s \leq s'$, and $\omega' = (i_{s, s'})_*(\omega)$, then $v_{(\omega, s)} = v_{(\omega', s')}$ and $u_{(\omega, s)} \geq u_{(\omega', s')}$. Furthermore, if $(i_{s, s'})_*$ is injective, then $u_{(\omega, s)} = u_{(\omega', s')}$ so $I_{(\omega, s)} = I_{(\omega', s')}$.

Example 9.16 In general, $I_{(\omega, s)}$ is not necessarily one of the intervals in $\text{barc}_k^{\text{VR}}(X; \mathbb{F})$. Here is a brief sketch of how to construct such an example. Consider the metric graph consisting of 12 vertices and 24 edges as shown in Figure 5. Assume that the length of the edge between adjacent inner (green) vertices is 1, the length of the edge between adjacent outer (orange) vertices is a , and the length of the edge between adjacent inner and outer vertices is b where $1 < a < b < 2$. Now, let X be the set of vertices of this graph, and let d_X be the shortest path metric between them. Then one can easily check that $\text{barc}_1^{\text{VR}}(X; \mathbb{F}) = \{(1, 2], (a, b]\}$, where $(1, 2]$ is associated to the homology class induced by the inner cycle and $(a, b]$ is associated to the homology class induced by the outer cycle. Now, if we choose $\{(\omega_s, s)\}_{s \in (a, b]} \subset \text{Spec}_1(X, \mathbb{F})$ corresponding to the interval $(a, b] \in \text{barc}_1^{\text{VR}}(X; \mathbb{F})$, then $I_{(\omega_s, s)} = (a, 2] \notin \text{barc}_1^{\text{VR}}(X; \mathbb{F})$ for $s \in (a, b]$.

Despite the above, in the extended (arXiv) version of this paper (see [62, Proposition 9.2]), we prove that, for all $r < s$, the multiplicity of the interval $(r, s]$ in the barcode $\text{barc}_k^{\text{VR}}(X; \mathbb{F})$ is equal to the maximal

nonnegative integer m for which there exist linearly independent vectors $\omega_1, \dots, \omega_m \in H_k(\text{VR}_s(X); \mathbb{F})$ such that $I_{(\omega_i, s)} = (r, s]$ for all i and any nonzero linear combination of the ω_i does not belong to $\text{Im}((i_{r,s})_*)$.

Definition 9.17 (localized spread of a homology class) For each $(\omega, s) \in \text{Spec}_k(X, \mathbb{F})$, we define the *localized spread* of (ω, s) as

$$\text{spread}(X; \omega, s) := \sup\{\text{pspread}(X; \omega', s') \mid s' \leq s \text{ and } \omega = (i_{s',s})_*(\omega')\}.$$

Remark 9.18 It is easy to check that both $\text{pspread}(X; \omega, s)$ and $\text{spread}(X; \omega, s)$ are always bound above by $\text{spread}(X)$.

The following [Proposition 9.19](#) is the “localized” version of [Proposition 9.7](#) we promised in the beginning of this section:

Proposition 9.19 Let (X, d_X) be a compact metric space and $k \geq 1$. Then for any $(\omega, s) \in \text{Spec}_k(X, \mathbb{F})$,

$$\text{length}(I_{(\omega, s)}) \leq \text{spread}(X; \omega, s).$$

Proof Fix an arbitrary $\delta > \text{spread}(X; \omega, s)$ and $s' \in (u_{(\omega, s)}, s]$. Then there exists $\omega' \in H_k(\text{VR}_{s'}(X); \mathbb{F})$ such that $\omega = (i_{s',s})_*(\omega')$. Hence, by [Lemma 9.14](#), $(i_{s',(s'+\delta)})_*(\omega') = 0$. This indicates $v_{(\omega, s)} < s' + \delta$. Since the choice of δ and s' are arbitrary, one can conclude

$$\text{length}(I_{(\omega, s)}) = v_{(\omega, s)} - u_{(\omega, s)} \leq \text{spread}(X; \omega, s). \quad \square$$

For an arbitrary $I \in \text{barc}_k^{\text{VR}}(X; \mathbb{F})$, a family of nonzero homology classes $\{(\omega_s, s)\}_{s \in I} \subseteq \text{Spec}_k(X, \mathbb{F})$ such that $(i_{s,s'})_*(\omega_s) = \omega_{s'}$ for any $s \leq s'$ in I where $i_{s,s'}: \text{VR}_s(X) \hookrightarrow \text{VR}_{s'}(X)$ is the canonical inclusion, will be said to *correspond* to I if there is an isomorphism

$$\Phi_*: \text{PH}_k(\text{VR}_*(X); \mathbb{F}) \rightarrow \bigoplus_{I \in \text{barc}_k^{\text{VR}}(X; \mathbb{F})} I_{\mathbb{F}}$$

such that

$$\begin{array}{ccc} \text{Span}_{\mathbb{F}}(\{\omega_s\}) & \xrightarrow{(i_{s,s'})_*} & \text{Span}_{\mathbb{F}}(\{\omega_{s'}\}) \\ \Phi_s \downarrow & & \downarrow \Phi_{s'} \\ \mathbb{F} & \xrightarrow{\text{id}} & \mathbb{F} \end{array}$$

Observe that [Theorem 2.9](#) guarantees that at least one such family of nonzero homology classes $\{(\omega_s, s)\}_{s \in I}$ always exists.

Remark 9.20 Now, given an arbitrary $I \in \text{barc}_k^{\text{VR}}(X; \mathbb{F})$, there is a family of nonzero homology classes $\{(\omega_s, s)\}_{s \in I} \subseteq \text{Spec}_k(X, \mathbb{F})$ corresponding to I as described above. Then obviously $I \subseteq I_{(\omega_s, s)}$ for each $s \in I$. Hence,

$$\text{length}(I) \leq \inf_{s \in I} \text{length}(I_{(\omega_s, s)}) \leq \inf_{s \in I} \text{spread}(X; \omega_s, s) \leq \text{spread}(X),$$

so one recovers the result in [Proposition 9.7](#). Below we show some examples that highlight cases in which the localized spread is more efficient at estimating the length of bars than its global counterpart.

Example 9.21 Here are some applications of the notion of localized spread.

Let X be a compact metric space. If for a given $I \in \text{barc}_k^{\text{VR}}(X; \mathbb{F})$ a corresponding family $\{(\omega_s, s)\}_{s \in I} \subseteq \text{Spec}_k(X, \mathbb{F})$ is supported by a subset $B \subseteq X$, then

$$(2) \quad \text{length}(I) \leq \inf_{s \in I} \text{length}(I_{(\omega_s, s)}) \leq \inf_{s \in I} \text{spread}(X; \omega_s, s) \leq \text{spread}(B),$$

where the first inequality holds as in [Remark 9.20](#), the second inequality holds by [Proposition 9.19](#), and the last inequality follows from [Remark 9.18](#).

Here are three scenarios in which the estimate in inequality (2) is useful:

- (1) Suppose a closed Riemannian manifold M and a nonzero homology class $\omega \in H_1(M; \mathbb{F})$ are given. Also, let $B \subseteq M$ be the shortest loop representing ω . Recall that there is an interval $I \in \text{barc}_1^{\text{VR}}(M; \mathbb{F})$ associated to ω ; see [Proposition 9.46](#). Then

$$\text{length}(I) \leq \text{spread}(B) = \frac{1}{3} \text{length}(B)$$

by inequality (2) and [Remark 9.3](#). Actually, $I = (0, \frac{1}{3} \text{length}(B)]$; see [\[44; 81, Theorem 8.10\]](#).

- (2) Let X be the metric gluing of a loop of length l_2 and an interval of length l_1 (glued to the circle at one of its endpoints). Then, by [Proposition 9.7](#), $I \leq \text{spread}(X)$ for any $I \in \text{barc}_k^{\text{VR}}(X; \mathbb{F})$. However, observe that one can make $\text{spread}(X)$ arbitrarily large by increasing l_1 . But, if $J \in \text{barc}_1^{\text{VR}}(X; \mathbb{F})$ and a family of nonzero homology classes $\{(\omega_s, s)\}_{s \in J} \subseteq \text{Spec}_1(X, \mathbb{F})$ corresponding to J is supported by the loop, then

$$\text{length}(J) \leq \text{spread}(B) = \frac{1}{3} l_2^2$$

by inequality (2) and [Remark 9.3](#). Again, as in the first item, $J = (0, \frac{1}{3} l_2^2]$. Note that the existence of the interval $(0, \frac{1}{3} l_2^2]$ in $\text{barc}_1^{\text{VR}}(X; \mathbb{F})$ can also be proved via the “crushing” technique introduced by Hausmann (see [\[50, Proposition 2.2\]](#)) since X can be crushed onto the loop of length l_2 .

- (3) An example similar to the one described in the previous item arises from [Figure 3](#). Consider the tube connecting the two blobs to be large: in that case the standard spread of the space will be large yet the lifetime of the individual H_2 classes will be much smaller.

9.2.2 The proof of Lemma 9.6 Let us introduce a technical tool for this subsection. It is easy to check that the usual linear interpolation in $L^\infty(X)$ gives a geodesic bicombing on $L^\infty(X)$ satisfying all three properties mentioned in [Lemma 2.20](#). However, in [\[54\]](#), Katz introduced an alternative way to construct a geodesic bicombing on $L^\infty(X)$:

Definition 9.22 (Katz’s geodesic bicombing) Let X be a compact metric space. We define the *Katz geodesic bicombing* γ_K on $L^\infty(X)$ by

$$\gamma_K: L^\infty(X) \times L^\infty(X) \times [0, 1] \rightarrow L^\infty(X), \quad (f, g, t) \mapsto \gamma_K(f, g, t),$$

where

$$\gamma_K(f, g, t): X \rightarrow \mathbb{R}, \quad x \mapsto \begin{cases} \max\{f(x) - t\|f - g\|_\infty, g(x)\} & \text{if } f(x) \geq g(x), \\ \min\{f(x) + t\|f - g\|_\infty, g(x)\} & \text{if } f(x) \leq g(x). \end{cases}$$

In other words, $\gamma_K(f, g, \cdot)$ moves from f to g with the same speed at every point.

The following proposition establishes that γ_K is indeed a (continuous) geodesic bicombing, amongst other properties. The proof is relegated to [Section A.1](#).

Proposition 9.23 *Let X be a compact metric space. Then, for any $f, g, h \in L^\infty(X)$ and $0 \leq s \leq t \leq 1$, the Katz geodesic bicombing γ_K on $L^\infty(X)$ satisfies*

- (1) $\gamma_K(f, g, 0) = f$ and $\gamma_K(f, g, 1) = g$;
- (2) $\|\gamma_K(f, g, s) - \gamma_K(f, g, t)\|_\infty = (t - s) \cdot \|f - g\|_\infty$;
- (3) $\|\gamma_K(f, g, t) - \gamma_K(h, g, t)\|_\infty \leq 2\|f - h\|_\infty$;
- (4) $\|\gamma_K(f, g, t) - \gamma_K(f, h, t)\|_\infty \leq \|g - h\|_\infty$;
- (5) $\gamma_K(\phi, \psi, \lambda) = \gamma_K(f, g, (1 - \lambda)s + \lambda t)$ where $\phi = \gamma_K(f, g, s)$ and $\psi = \gamma_K(f, g, t)$ for any $\lambda \in [0, 1]$ (this property is called **consistency**);
- (6) $\|\gamma_K(f, g, r) - h\|_\infty \leq \max\{\|\gamma_K(f, g, s) - h\|_\infty, \|\gamma_K(f, g, t) - h\|_\infty\}$ for any $r \in [s, t]$.

Properties (2), (3), and (4) of [Proposition 9.23](#) imply the continuity of the Katz geodesic bicombing. In contrast, this bicombing is neither conical nor reversible; see [Section A.2](#) in the [appendix](#).

Proof of Lemma 9.6 By the definition of spread, we know that there is a nonempty finite subset $A \subseteq X$ and $\delta' \in (0, \delta)$ such that $\text{diam}(A) < 2\delta'$ and $\sup_{x \in X} \inf_{a \in A} d_X(x, a) < 2\delta'$.

Next, we define

$$f: X \rightarrow \mathbb{R}, \quad x \mapsto d_X(x, A) + \delta'.$$

The main strategy of the proof is depicted in [Figure 6](#).

Claim 1 *For any $a \in A$, $\|d_X(a, \cdot) - f\|_\infty = \delta'$.*

Proof To prove this, fix arbitrary $x \in X$. Note that

$$d_X(a, x) - f(x) = d_X(a, x) - d_X(x, A) - \delta'.$$

Since $d_X(x, A) \leq d_X(a, x)$, we have $-\delta' \leq d_X(a, x) - d_X(x, A) - \delta'$. Also, because the diameter of A is smaller than $2\delta'$, we have $d_X(a, x) - d_X(x, A) - \delta' < \delta'$. Therefore, $|d_X(a, x) - f(x)| \leq \delta'$. Furthermore, if we put $x = a$, we have that $\|d_X(a, \cdot) - f\|_\infty = \delta'$. □

Now, let

$$U_{s,\delta} := \{\gamma_K(g, f, t) \mid g \in \bar{B}_s(X, L^\infty(X)), t \in [0, 1]\}.$$

Then $U_{s,\delta}$ obviously contains $\bar{B}_s(X, L^\infty(X))$ and can be contracted to the point f .

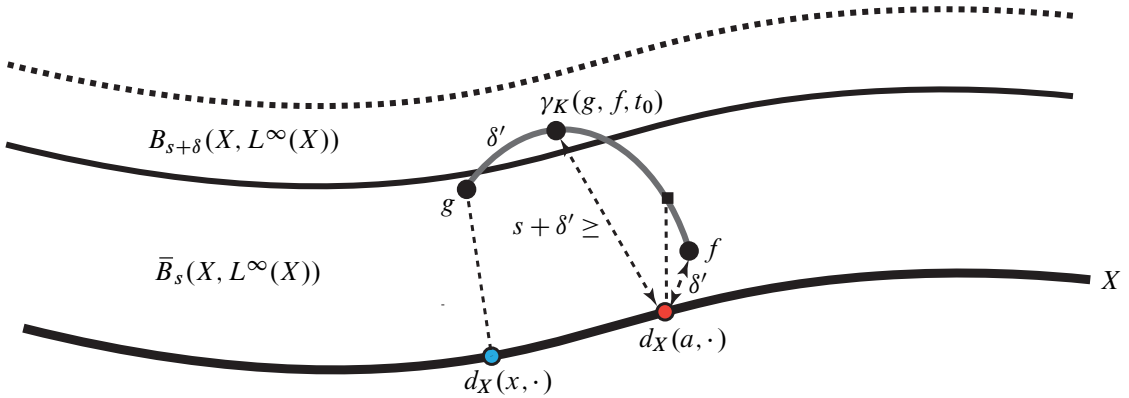


Figure 6: Strategy of the proof of Lemma 9.6. By construction, the distance between f and $d_X(a, \cdot)$ (represented by the red dot) is δ' and the distance between $\gamma_K(g, f, t_0)$ and $d_X(a, \cdot)$ is less than or equal to $s + \delta'$. Hence, by item (6) of Proposition 9.23, we have that the point represented by a square will be at distance at most $s + \delta'$ from $d_X(a, \cdot)$.

The lemma will follow once we establish the following claim:

Claim 2

$$U_{s,\delta} \subseteq B_{s+\delta}(X, L^\infty(X)).$$

Proof To see this, fix an arbitrary $g \in \bar{B}_s(X, L^\infty(X))$ and $t \in [0, 1]$. Note that one can choose $x \in X$ such that $\|g - d_X(x, \cdot)\|_\infty \leq s$.

- If $\|g - f\|_\infty \leq \delta'$, then

$$\|\gamma_K(g, f, t) - d_X(x, \cdot)\|_\infty \leq \|\gamma_K(g, f, t) - g\|_\infty + \|g - d_X(x, \cdot)\|_\infty \leq s + \delta' < s + \delta$$

by the triangle inequality and properties (1) and (2) of Proposition 9.23. So, $\gamma_K(g, f, t) \in B_{s+\delta}(X, L^\infty(X))$.

- Now, assume $\|g - f\|_\infty > \delta'$. Let us denote $t_0 := \delta' / \|g - f\|_\infty$. Now, for $t \in [0, t_0]$, we have $\gamma_K(g, f, t) \in B_{s+\delta}(X, L^\infty(X))$ since

$$\|\gamma_K(g, f, t) - d_X(x, \cdot)\|_\infty \leq \|\gamma_K(g, f, t) - g\|_\infty + \|g - d_X(x, \cdot)\|_\infty \leq t\|g - f\|_\infty + s \leq s + \delta' < s + \delta.$$

Next, we want to show $\gamma_K(g, f, t) \in B_{s+\delta}(X, L^\infty(X))$ for $t \in [t_0, 1]$. To do that, choose $a \in A$ such that $d_X(x, a) < 2\delta'$. We will prove $\|\gamma_K(g, f, t_0) - d_X(a, \cdot)\|_\infty \leq s + \delta'$.

Fix arbitrary $x' \in X$. If $|g(x') - f(x')| \leq \delta'$, then $\gamma_K(g, f, t_0)(x') = f(x')$. Hence,

$$|\gamma_K(g, f, t_0)(x') - d_X(a, x')| = |f(x') - d_X(a, x')| \leq \delta'$$

by Claim 1. If $|g(x') - f(x')| > \delta'$, then $g(x')$ cannot be between $d_X(a, x')$ and $f(x')$ since, by Claim 1, $|d_X(a, x') - f(x')| \leq \delta'$. This implies that either

$$|g(x') - d_X(a, x')| = |d_X(a, x') - f(x')| + |g(x') - f(x')|$$

or

$$|g(x') - f(x')| = |d_X(a, x') - f(x')| + |g(x') - d_X(a, x')|.$$

Either way, it is easy to see that we always have

$$|\gamma_K(g, f, t_0)(x') - d_X(a, x')| = ||g(x') - d_X(a, x')| - \delta'| \leq s + \delta',$$

where the last inequality is true because $|g(x') - d_X(a, x')| \leq |g(x') - d_X(x, x')| + d_X(a, x) < s + 2\delta'$. So, one can conclude that

$$\|\gamma_K(g, f, t_0) - d_X(a, \cdot)\|_\infty \leq s + \delta'.$$

Therefore, combining this inequality with [Claim 1](#) and property (6) of [Proposition 9.23](#), one finally obtains that

$$\|\gamma_K(d_X(x, \cdot), f, t) - d_X(a, \cdot)\|_\infty \leq s + \delta' < s + \delta,$$

so $\gamma_K(g, f, t) \in B_{s+\delta}(X, L^\infty(X))$ for any $t \in [t_0, 1]$. □

This concludes the proof of [Lemma 9.6](#). □

9.3 The filling radius and Vietoris–Rips persistent homology

Now, we recall the notion of *filling radius*, an invariant for closed connected manifolds introduced by Gromov [[46](#), page 8] in the course of proving the systolic inequality (see also [[48](#); [58](#)] for a comprehensive treatment). It turns out to be that this notion can be a bridge between topological data analysis and differential geometry/topology.

Definition 9.24 (filling radius) Let M be a closed connected n -dimensional manifold with compatible metric d_M . One defines the filling radius of M as

$$\text{FillRad}(M; G) := \inf\{r > 0 \mid H_n(\iota_r; G)([M]) = 0\},$$

where $\iota_r: M \hookrightarrow B_r(M, L^\infty(M))$ is the (corestriction of the) Kuratowski isometric embedding, and $[M]$ is the fundamental class of M , with coefficients in G . We will use the shorthand notation $\text{FillRad}(M)$ when either M is orientable and $G = \mathbb{Z}$ or when M is not orientable and $G = \mathbb{Z}_2$.

Remark 9.25 (metric manifolds) The definition of the filling radius does not require the metric d_M on M to be Riemannian — it suffices that d_M generates the manifold topology. We call any (M, d_M) satisfying this condition a *metric manifold*. In particular, one can consider the filling radius of

- (1) the ℓ^∞ -metric product of (M, d_M) and (N, d_N) when M and N are Riemannian manifolds and d_M and d_N are their corresponding geodesic distances;
- (2) $(N, d_M|_{N \times N})$ when N is a submanifold of the Riemannian manifold (M, d_M) .

Remark 9.26 (relative filling radius and minimality for injective metric spaces) The relative filling radius can be defined for every metric pair (M, E) by considering r -neighborhoods of M in E — it is denoted by $\text{FillRad}(M, E)$. Gromov [[46](#)] showed that we obtain the minimal possible relative filling

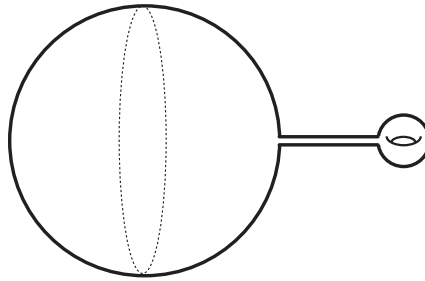


Figure 7: A big sphere X with a small handle. In this case, as $r > 0$ increases, $B_r(X, L^\infty(X))$ changes homotopy type from that of X to that of \mathbb{S}^2 as soon as $r > r_0$ for some $r_0 < \text{FillRad}(X)$.

radius through the Kuratowski embedding (that is when $E = L^\infty(M)$). This also follows from our work but in greater generality in the context of embeddings into injective metric spaces. If M can be isometrically embedded into an injective metric space F , then this embedding can be extended to a 1–Lipschitz map $f : E \rightarrow F$, which induces a map of filtrations $f_r : B_r(M, E) \rightarrow B_r(M, F)$, for each $r > 0$ (see Definition 2.15). Hence, if the fundamental class of M vanishes in $B_r(M, E)$, then it also vanishes in $B_r(M, F)$. Therefore,

$$(3) \quad \text{FillRad}(M, F) \leq \text{FillRad}(M, E).$$

In particular, this implies that $\text{FillRad}(M, E) = \text{FillRad}(M, F)$ whenever E and F are both injective metric spaces admitting isometric embeddings of M .

Remark 9.27 (filling radius and first change in homotopy type) In [54, Theorem 2], Katz proved that $\text{FillRad}(\mathbb{S}^n) = \frac{1}{2} \arccos(-1/(n + 1))$. Moreover, in a remark right after the proof of Theorem 2 in that paper he shows that $B_r(\mathbb{S}^n, L^\infty(\mathbb{S}^n))$ is homotopy equivalent to \mathbb{S}^n if $r \in (0, \text{FillRad}(\mathbb{S}^n)]$.

One might then ask whether for any closed connected manifold M it holds that $\text{FillRad}(M)$ is the first value of r where the homotopy type of $B_r(M, L^\infty(M))$ changes. In general, however, this is not true as the following two examples show:

- (1) It is known [57, Proposition 0.3] that $\text{FillRad}(\mathbb{C}\mathbb{P}^3) > \text{FillRad}(\mathbb{C}\mathbb{P}^1) = \frac{1}{2} \arccos(-\frac{1}{3})$. Also, by [56, Theorem 8.1], $B_r(\mathbb{C}\mathbb{P}^3, L^\infty(\mathbb{C}\mathbb{P}^3))$ is not homotopy equivalent to $\mathbb{C}\mathbb{P}^3$ for r in the interval $(\frac{1}{2} \arccos(-\frac{1}{3}), \frac{1}{2} \arccos(-\frac{1}{3}) + \varepsilon_0)$, where $\varepsilon_0 > 0$ is a positive constant. In other words, the homotopy type of $B_r(\mathbb{C}\mathbb{P}^3, L^\infty(\mathbb{C}\mathbb{P}^3))$ already changed before $r = \text{FillRad}(\mathbb{C}\mathbb{P}^3)$.
- (2) The following example provides geometric intuition for how the homotopy type of Kuratowski neighborhoods may change before r reaches the filling radius. Consider a big sphere with a small handle attached through a long neck (see Figure 7). Since the top-dimensional hole in this space is big, we expect the filling radius to be big. On the other hand, the degree 1 homology class coming from the small handle dies in a small Kuratowski neighborhood, hence the homotopy type changes at that point.

We now relate the filling radius of a closed connected n -dimensional manifold to its n -dimensional Vietoris–Rips persistence barcode.

Proposition 9.28 *Let M be a closed connected n -dimensional Riemannian manifold. Then*

$$(0, 2 \operatorname{FillRad}(M; \mathbb{F})] \in \operatorname{barc}_n^{\operatorname{VR}}(M; \mathbb{F}),$$

where \mathbb{F} is an arbitrary field if M is orientable, and $\mathbb{F} = \mathbb{Z}_2$ if M is nonorientable. Moreover, this is the **unique** interval in $\operatorname{barc}_n^{\operatorname{VR}}(M; \mathbb{F})$ starting at 0 and $\operatorname{FillRad}(M; \mathbb{F}) \leq \operatorname{FillRad}(M)$ whenever M is orientable.

The unique interval identified by [Proposition 9.28](#) will be henceforth denoted by

$$I_{n, \mathbb{F}}^M := (0, d_{n, \mathbb{F}}^M].$$

Proof First, let us consider the case when M is orientable. Observe that the diagram

$$\begin{array}{ccccc} H_n(M; \mathbb{Z}) \otimes \mathbb{F} & \longrightarrow & H_n(B_r(M, L^\infty(M)); \mathbb{Z}) \otimes \mathbb{F} & \longrightarrow & H_n(B_s(M, L^\infty(M)); \mathbb{Z}) \otimes \mathbb{F} \\ \downarrow j & & \downarrow j_r & & \downarrow j_s \\ H_n(M; \mathbb{F}) & \longrightarrow & H_n(B_r(M, L^\infty(M)); \mathbb{F}) & \longrightarrow & H_n(B_s(M, L^\infty(M)); \mathbb{F}) \end{array}$$

commutes for any $0 < r \leq s$, where every horizontal arrow is induced by the obvious inclusions, and the vertical arrows (j , j_r , and j_s) must be injective by the universal coefficient theorem for homology (see [\[68, Theorem 55.1\]](#)). Hence, one obtains that

$$\operatorname{FillRad}(M; \mathbb{F}) = \inf\{r > 0 \mid H_n(\iota_r; \mathbb{F})(j([M])) = 0\}.$$

Therefore, with the aid of [Theorems 4.1](#) and [5.2](#), one concludes that

$$(0, 2 \operatorname{FillRad}(M; \mathbb{F})] \in \operatorname{barc}_n^{\operatorname{VR}}(M; \mathbb{F}).$$

Also, by Hausmann’s theorem [\[50, Theorem 3.5\]](#), $\operatorname{VR}_r(M)$ is homotopy equivalent to M for $r > 0$ small enough. Therefore, $(0, 2 \operatorname{FillRad}(M; \mathbb{F})]$ must be the unique interval in $\operatorname{barc}_n^{\operatorname{VR}}(M; \mathbb{F})$ with left endpoint 0.

The proof of the nonorientable case is similar, so we omit it. □

Remark 9.29 $\operatorname{FillRad}(S^n; \mathbb{F}) = \operatorname{FillRad}(S^n)$ for any field \mathbb{F} . This can be verified via [Proposition 9.28](#) and [Remark 7.3](#). Alternatively, a more direct proof can be obtained via Jung’s theorem ([Theorem A.8](#)) following an idea similar to the one used in the proofs of [\[46, Lemmas 1.2.B and 4.5.A; 54, Theorem 2\]](#). Details of this direct proof can be found in the extended (arXiv) version of this paper [\[62, Remark 9.13\]](#). With this observation, from now on we will drop \mathbb{F} from the notation $I_{n, \mathbb{F}}^{\mathbb{S}^n}$ and $d_{n, \mathbb{F}}^{\mathbb{S}^n}$, and respectively use $I_n^{\mathbb{S}^n}$ and $d_n^{\mathbb{S}^n}$ instead.

Remark 9.30 Actually, one can generalize [Proposition 9.28](#) to metric manifolds. See [Proposition 9.46](#) for the full generalization.

Remark 9.31 Let M and N be closed connected metric manifolds. Let $M \times N$ denote the ℓ^∞ -product of M and N (as metric spaces). By [Theorem 6.1](#), [Remark 6.3](#), and [Proposition 9.28](#),

$$\text{FillRad}(M \times N; \mathbb{F}) = \min\{\text{FillRad}(M; \mathbb{F}), \text{FillRad}(N; \mathbb{F})\}.$$

A similar result is true for the ℓ^∞ -product of more than two metric manifolds.

9.3.1 Bounding the filling radius and consequences for Vietoris–Rips persistent homology Using [Proposition 9.28](#), we can estimate certain properties of the barcode $\text{barc}_n^{\text{VR}}(M; \mathbb{F})$ of an n -dimensional manifold M .

Injectivity radius and persistence barcodes If $I_{n,\mathbb{F}}^M = (0, d_{n,\mathbb{F}}^M]$ is the unique interval in $\text{barc}_n^{\text{VR}}(M; \mathbb{F})$ identified by [Proposition 9.28](#), then

$$(4) \quad d_{n,\mathbb{F}}^M \geq \frac{\text{Inj}(M)}{n+2}.$$

This follows from the fact that $\text{FillRad}(M; \mathbb{F}) \geq \text{Inj}(M)/(2(n+2))$ for any field \mathbb{F} , where $\text{Inj}(M)$ is the injectivity radius of M [[46](#), Proof of Lemma 4.5.A]. Since the injectivity radius of the sphere is $\frac{\pi}{2}$, equation (4) implies that $d_n^{\mathbb{S}^n} \geq \pi/(2(n+2))$. Note that [Proposition 9.28](#) indicates that this estimate is not tight in general since

$$d_n^{\mathbb{S}^n} = 2 \text{FillRad}(\mathbb{S}^n) = \arccos\left(\frac{-1}{n+1}\right) \geq \frac{\pi}{2}.$$

Systole and persistence barcodes The *systole* $\text{sys}_1(M)$ of a Riemannian manifold M is defined to be the infimal length over noncontractible loops of M . In [[46](#), Lemma 1.2.B], Gromov proved that

$$\text{sys}_1(M) \leq 6 \text{FillRad}(M)$$

for any closed *essential* Riemannian manifold M .⁴ Note that, by slightly modifying the proof of [[46](#), Lemma 1.2.B], one can also verify that $\text{sys}_1(M) \leq 6 \text{FillRad}(M; \mathbb{F})$ whenever M is orientable and \mathbb{F} is an arbitrary field. Moreover, one can also define the *homological systole* $\text{sysh}_1(M; G)$ to be the infimal length over non null-homologous (with coefficients in a given group G) loops of M . We will use the shorthand notation $\text{sysh}_1(M)$ whenever $G = \mathbb{Z}$. In general, $\text{sys}_1(M) \leq \text{sysh}_1(M) \leq \text{sysh}_1(M; G)$ for any group G since any contractible loop is null-homologous (see [[49](#), 2.A]). See [Figure 8](#) for a space on which the notions differ. In [[81](#), Theorem 8.10], Ž. Virk proved that

$$\left(0, \frac{1}{3} \text{sysh}_1(M; \mathbb{F})\right] \in \text{barc}_1^{\text{VR}}(M; \mathbb{F})$$

for any closed Riemannian manifold M . Observe that the n -dimensional torus \mathbb{T}^n is an aspherical, hence essential, manifold. Also, observe that $\text{sys}_1(\mathbb{T}^n) = \text{sysh}_1(\mathbb{T}^n) = \text{sysh}_1(\mathbb{T}^n; \mathbb{F})$ for any field of coefficients \mathbb{F} since the fundamental group $\pi_1(\mathbb{T}^n)$ is abelian and the homology group of \mathbb{T}^n is free abelian. Therefore, this permits relating the top-dimensional persistence barcode with the 1-dimensional barcode of any n -dimensional Riemannian torus. We summarize this via the following:

⁴See [[46](#)] for the definition of essential manifolds. For this paper it suffices to keep in mind that aspherical manifolds are essential.

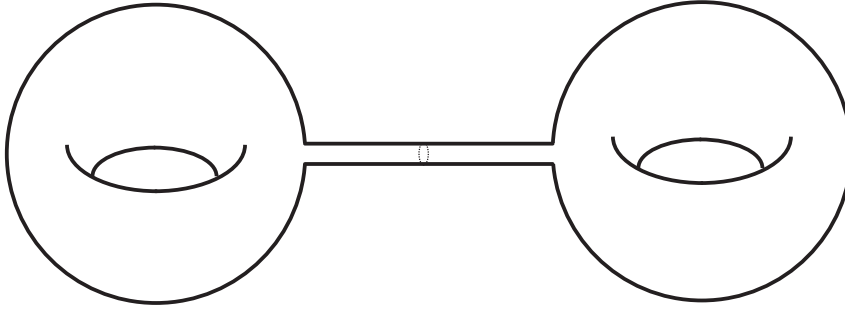


Figure 8: A space X for which $\text{sys}(X) \neq \text{sysh}(X)$.

Corollary 9.32 For any Riemannian metric on the n -dimensional torus \mathbb{T}^n ,

- the interval $I_1^{\mathbb{T}^n} := (0, \frac{1}{3} \text{sys}_1(\mathbb{T}^n)]$ is an element of $\text{barc}_1^{\text{VR}}(\mathbb{T}^n; \mathbb{F})$,
- the interval $I_{n,\mathbb{F}}^{\mathbb{T}^n} := (0, 2 \text{FillRad}(\mathbb{T}^n; \mathbb{F})]$ is an element of $\text{barc}_n^{\text{VR}}(\mathbb{T}^n; \mathbb{F})$, and
- $I_1^{\mathbb{T}^n} \subseteq I_{n,\mathbb{F}}^{\mathbb{T}^n}$.

Finally, observe that if the metric on \mathbb{T}^n is the ℓ^∞ -product metric, then $\text{FillRad}(\mathbb{T}^n; \mathbb{F}) = \text{FillRad}(\mathbb{T}^n)$ for any field \mathbb{F} by Remark 9.31.

Volume and persistence barcodes An inequality proved by Gromov in [46, Main Theorem 1.2.A] states that for each n natural there exists a constant $c_n > 0$ such that if M is any n -dimensional complete Riemannian manifold, then

$$(5) \quad \text{FillRad}(M) \leq c_n (\text{vol}(M))^{1/n}.$$

It then follows that

$$(6) \quad d_{n,\mathbb{F}}^M \leq 2c_n (\text{vol}(M))^{1/n}.$$

In particular, this bound improves upon the one given by Corollary 9.9, $d_{n,\mathbb{F}}^M \leq \frac{2}{3} \text{diam}(M)$, when M is “thin” like in the case of a thickened embedded graph [67].

Spread and persistence barcodes The following proposition is proved in [54, Lemma 1]. Here we provide a different proof, which easily follows from the persistent homology perspective that we have adopted in this paper.

Proposition 9.33 Let M be a closed connected metric manifold. Then

$$\text{FillRad}(M; \mathbb{F}) \leq \frac{1}{2} \text{spread}(M).$$

Proof This follows from Propositions 9.7 and 9.28. □

Remark 9.34 One can also use Lemma 9.4 to prove Proposition 9.33.

Remark 9.35 The inequality in the statement above becomes an equality for spheres [54].

By [Corollary 9.9](#), [Proposition 9.28](#), and the fact that $\text{FillRad}(\mathbb{S}^1) = \frac{\pi}{3}$, we know that

$$\text{length}(I) \leq \frac{2\pi}{3} = \text{length}(I_1^{\mathbb{S}^1})$$

for any $k \geq 1$, and any $I \in \text{barc}_k^{\text{VR}}(\mathbb{S}^1; \mathbb{F})$. This motivates the following conjecture:

Conjecture 9.36 Let M be a closed connected n -dimensional metric manifold. Then

$$\text{length}(I) \leq \text{length}(I_{n, \mathbb{F}}^M)$$

for any $I \in \text{barc}_k^{\text{VR}}(M; \mathbb{F})$ and any $k \geq 1$.

However, this conjecture is not true in general, as the following example shows:

Remark 9.37 Consider the ℓ^∞ -product $X = \mathbb{S}^1 \times \mathbb{S}^2$. Then, by [Remark 9.31](#),

$$\text{FillRad}(X) = \min(\text{FillRad}(\mathbb{S}^1), \text{FillRad}(\mathbb{S}^2)) = \frac{1}{2} \arccos\left(-\frac{1}{3}\right).$$

This implies that $\text{length}(I_3^X) = 2 \text{FillRad}(X) = \arccos\left(-\frac{1}{3}\right)$. Now, we will prove that there is a longer interval in $\text{barc}_1^{\text{VR}}(X; \mathbb{F})$. First, observe that there is an infinite length interval in $\text{barc}_0^{\text{VR}}(\mathbb{S}^2; \mathbb{F})$. Also, $I_1^{\mathbb{S}^1} = (0, 2 \text{FillRad}(\mathbb{S}^1)] = (0, \frac{2\pi}{3}]$. Therefore, by the persistent Künneth formula ([Theorem 6.1\(1\)](#)), and [Remark 6.3](#), the interval $I = (0, \frac{2\pi}{3}]$ exists in $\text{barc}_1^{\text{VR}}(X; \mathbb{F})$.

Therefore, since $\frac{2\pi}{3} > \arccos\left(-\frac{1}{3}\right)$, [Conjecture 9.36](#) is false.

9.3.2 Application to obtaining lower bounds for the Gromov–Hausdorff distance With the aid of the stability of barcodes ([Theorem 2.14](#)) and the notion of filling radius, one can obtain the following result:

Proposition 9.38 Let M be a closed connected m -dimensional orientable (resp. nonorientable) Riemannian manifold, and let X be a compact metric space such that

- (1) $H_m(X; \mathbb{F}) = 0$ for some arbitrary field \mathbb{F} (resp. $H_m(X; \mathbb{F}) = 0$ for $\mathbb{F} = \mathbb{Z}_2$), and
- (2) $\text{VR}_r(X) \simeq X$ for every $r \in (0, \text{FillRad}(M; \mathbb{F})]$.

Then

$$d_B(\text{barc}_m^{\text{VR}}(M; \mathbb{F}), \text{barc}_m^{\text{VR}}(X; \mathbb{F})) \geq \text{FillRad}(M; \mathbb{F})$$

and, as a consequence,

$$d_{\text{GH}}(M, X) \geq \frac{1}{2} \text{FillRad}(M; \mathbb{F}).$$

Proof Observe that by [Theorems 2.13](#) and [2.14](#),

$$d_{\text{GH}}(M, X) \geq \frac{1}{2} d_B(\text{barc}_m^{\text{VR}}(M; \mathbb{F}), \text{barc}_m^{\text{VR}}(X; \mathbb{F})).$$

Hence, it is enough to establish that

$$d_B(\text{barc}_m^{\text{VR}}(M; \mathbb{F}), \text{barc}_m^{\text{VR}}(X; \mathbb{F})) \geq \text{FillRad}(M; \mathbb{F}).$$

Recall that the special interval $I_{m, \mathbb{F}}^M := (0, 2 \text{FillRad}(M; \mathbb{F})]$ belongs to $\text{barc}_m^{\text{VR}}(M; \mathbb{F})$ by [Proposition 9.28](#). Moreover, if $I := (u, v] \in \text{barc}_m^{\text{VR}}(X; \mathbb{F})$, then $u \geq \text{FillRad}(M; \mathbb{F})$ by the two assumptions on X .

Now, fix an arbitrary partial matching P between $\text{barc}_m^{\text{VR}}(M; \mathbb{F})$ and $\text{barc}_m^{\text{VR}}(X; \mathbb{F})$. If I_m^M is unmatched to any interval in $\text{barc}_m^{\text{VR}}(X; \mathbb{F})$, then

$$\text{cost}(P) \geq \frac{1}{2}|0 - 2 \text{FillRad}(M; \mathbb{F})| = \text{FillRad}(M; \mathbb{F}).$$

If $(I_m^M, I := (u, v]) \in P$, then $\text{cost}(P) \geq |0 - u| = u \geq \text{FillRad}(M; \mathbb{F})$. Since P is arbitrary, one can conclude $d_B(\text{barc}_m^{\text{VR}}(M; \mathbb{F}), \text{barc}_m^{\text{VR}}(X; \mathbb{F})) \geq \text{FillRad}(M; \mathbb{F})$, as we required. \square

By combining Proposition 9.38 with Proposition 9.7 we now obtain the exact value of the lower bound for $d_{\text{GH}}(\mathbb{S}^m, \mathbb{S}^n)$ given by invoking the stability of Vietoris–Rips barcodes:

Corollary 9.39 For any positive integers $1 \leq m < n$,

$$\sup_k d_B(\text{barc}_k^{\text{VR}}(\mathbb{S}^m; \mathbb{F}), \text{barc}_k^{\text{VR}}(\mathbb{S}^n; \mathbb{F})) = \text{FillRad}(\mathbb{S}^m) = \frac{1}{2} \arccos\left(\frac{-1}{m+1}\right)$$

and, as a consequence,

$$d_{\text{GH}}(\mathbb{S}^m, \mathbb{S}^n) \geq \frac{1}{4} \arccos\left(\frac{-1}{m+1}\right) \geq \frac{\pi}{8}.$$

Proof Notice that \mathbb{S}^m is orientable, $H_m(\mathbb{S}^n; \mathbb{F}) = 0$ for any field \mathbb{F} , $\text{VR}_r(\mathbb{S}^n) \simeq \mathbb{S}^n$ for any r in the interval $(0, \arccos(-1/(n+1))]$ by Theorem 7.1, and

$$\arccos\left(\frac{-1}{n+1}\right) \geq \frac{\pi}{2} \geq \frac{1}{2} \arccos\left(\frac{-1}{m+1}\right) = \text{FillRad}(\mathbb{S}^m).$$

Hence, by Proposition 9.38,

$$\sup_k d_B(\text{barc}_k^{\text{VR}}(\mathbb{S}^m; \mathbb{F}), \text{barc}_k^{\text{VR}}(\mathbb{S}^n; \mathbb{F})) \geq \text{FillRad}(\mathbb{S}^m) = \frac{1}{2} \arccos\left(\frac{-1}{m+1}\right).$$

The reverse inequality follows from Proposition 9.7 and Remarks 9.3 and 9.27 relating the spread to the filling radius of spheres. Indeed, by basic properties of the bottleneck distance,⁵ for every integer $k \geq 0$,

$$d_B(\text{barc}_k^{\text{VR}}(\mathbb{S}^m; \mathbb{F}), \text{barc}_k^{\text{VR}}(\mathbb{S}^n; \mathbb{F})) \leq \frac{1}{2} \max\left(\max_{I \in \text{barc}_k^{\text{VR}}(\mathbb{S}^m; \mathbb{F})} \text{length}(I), \max_{J \in \text{barc}_k^{\text{VR}}(\mathbb{S}^n; \mathbb{F})} \text{length}(J)\right).$$

Now, by Proposition 9.7, the right-hand side is bounded above by $\frac{1}{2} \max(\text{spread}(\mathbb{S}^m), \text{spread}(\mathbb{S}^n))$ which, by Remark 9.3, is equal to $\frac{1}{2} \arccos(-1/(m+1))$ and in turn equal to $\text{FillRad}(\mathbb{S}^m)$ by Remark 9.27. \square

Remark 9.40 The lower bounds provided by Corollary 9.39 are nonoptimal; see [63] for improved lower bounds via considerations based on a certain version of the Borsuk–Ulam theorem. In fact, there the factor $\frac{1}{2}$ is removed, leading, for example, to the bound $d_{\text{GH}}(\mathbb{S}^m, \mathbb{S}^n) \geq \text{FillRad}(\mathbb{S}^{\min\{m,n\}})$ for all $0 \leq m < n \leq \infty$. This bound is therein shown to be tight when $(m, n) \in \{(1, 2), (1, 3), (2, 3)\}$ via the construction of suitable correspondences. Via Example 2.11, Theorem 2.14, and Proposition 9.28, one can directly see that for any geodesic, compact, and simply connected space Y ,

$$d_{\text{GH}}(\mathbb{S}^1, Y) \geq \frac{\pi}{6}.$$

This, taken together with the comments above leads to the following conjecture:

⁵The cost of the empty matching upper bounds the bottleneck distance.

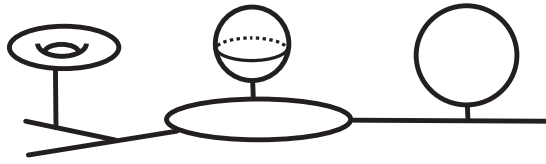


Figure 9: An ANR space contemplated by Proposition 9.46.

Conjecture 9.41 For any geodesic, compact, and simply connected space Y ,

$$d_{\text{GH}}(\mathbb{S}^1, Y) \geq \frac{\pi}{3}.$$

9.3.3 A generalization of the filling radius The goal of this section is to provide some partial results regarding the structure of $\text{barc}_*^{\text{VR}}(\cdot)$ for nonsmooth spaces; see Figure 9. In order to do so we consider a generalization of the notion of filling radius for arbitrary compact ANR metric spaces and arbitrary homology dimension. See [51] for an introduction to the general theory of ANRs.

Definition 9.42 (absolute neighborhood retract) A metric space (X, d_X) is said to be ANR (*absolute neighborhood retract*) if, whenever X is a subspace of another metric space Y , there exists an open set $X \subset U \subseteq Y$ such that X is a retract of U .

It is known that every topological manifold with compatible metric (so, a metric manifold) is an ANR. Not only that, every locally Euclidean metric space is an ANR (see [51, Theorem III.8.1]). Also, every compact, (topologically) finite-dimensional, and locally contractible metric space is ANR (see [33, Section 1]). The following example is one application of this fact:

Example 9.43 Let \mathcal{G} be a compact metric graph and M_1, \dots, M_n be closed connected metric manifolds. Choose points $v_1, \dots, v_n \in \mathcal{G}$ and $p_i \in M_i$ for each $i = 1, \dots, n$ and consider the geodesic metric space $X := \mathcal{G} \vee M_1 \vee \dots \vee M_n$ arising from metric gluings via $v_1 \sim p_1, \dots, v_n \sim p_n$. Since X is compact, (topologically) finite-dimensional, and locally contractible, it is an ANR. See Figure 9.

Finally, we are ready to define a generalized filling radius.

Definition 9.44 (generalized filling radius) Let (X, E) be a metric pair where X is a compact ANR metric space. For any integer $k \geq 1$, any abelian group G , and any $\omega \in H_k(X; G)$, we define the generalized filling radius as

$$\text{FillRad}_k((X, E), G, \omega) := \inf\{r > 0 \mid H_k(\iota_r^E; G)(\omega) = 0\},$$

where $\iota_r^E : X \hookrightarrow B_r(X, E)$ is the (corestriction of the) isometric embedding. In other words, we have the map

$$\text{FillRad}_k((X, E), G, \cdot) : H_k(X; G) \rightarrow \mathbb{R}_{\geq 0}.$$

Remark 9.45 Following the discussion in Remark 9.26 after equation (3), one can also prove that the smallest possible value of the generalized filling radius is attained when E is an injective metric space. Hence, we write $\text{FillRad}_k(X, G, \omega)$ instead of $\text{FillRad}_k((X, E), G, \omega)$ whenever E is injective, for simplicity.

Let M be an n -dimensional metric manifold. Then, note that we have $\text{FillRad}_n(M, G, [M]) = \text{FillRad}(M)$ in the following two cases: when M is orientable and $G = \mathbb{Z}$, and when M is nonorientable and $G = \mathbb{Z}_2$.

A priori, one can define the generalized filling radius for any metric space X . However, we believe that the context of ANR metric spaces is the right level of generalization for our purposes because of the following proposition, analogous to Proposition 9.28:

Proposition 9.46 *Let X be a compact ANR metric space. Then, for any $k \geq 1$ and nonzero $\omega \in H_k(X; \mathbb{F})$, we have $\text{FillRad}_k(X, \mathbb{F}, \omega) > 0$, and*

$$(0, 2 \text{FillRad}_k(X, \mathbb{F}, \omega)] \in \text{barc}_k^{\text{VR}}(X; \mathbb{F}),$$

where \mathbb{F} is an arbitrary field.

Proof First, note that one cannot apply Hausmann’s theorem since X is not necessarily a Riemannian manifold. However, since X is ANR and a closed subset of $L^\infty(X)$, there exists an open $U \subseteq L^\infty(X)$ such that $X \subset U$ and U retracts onto X . Let $\rho: U \rightarrow X$ be the retraction. Now, since U is open there exists an $r > 0$ such that $B_r(X, L^\infty(X)) \subseteq U$. Observe that the restriction

$$\rho_r := \rho|_{B_r(X, L^\infty(X))}: B_r(X, L^\infty(X)) \rightarrow X$$

is still a retraction. It means that $\rho_r \circ \iota_r = \text{id}_X$. Therefore,

$$H_k(\iota_r; \mathbb{F}): H_k(X; \mathbb{F}) \rightarrow H_k(B_r(X, L^\infty(X)); \mathbb{F})$$

is injective. This implies that $\text{FillRad}_k(X, \mathbb{F}, \omega) > 0$ and that there exists some interval in $\text{barc}_k^{\text{VR}}(X; \mathbb{F})$ corresponding to the nonzero homology class $\omega \in H_k(X; \mathbb{F})$.

The remaining part of proof is essentially the same as the proof of Proposition 9.28, so we omit it. \square

Example 9.47 For any nonzero $\omega \in H_1(M; \mathbb{F})$ with an arbitrary field \mathbb{F} , because of the result in [81, Theorem 8.10], one has that $2 \text{FillRad}_1(M, \mathbb{F}, \omega) = \frac{1}{3} \text{length}(\gamma)$, where γ is a shortest closed curve representing the homology class ω .

A refinement for the case $k = 1$ We now prove that when $k = 1$, the intervals given by Proposition 9.46 are the *only* bars in $\text{barc}_1^{\text{VR}}(X; \mathbb{F})$.

Lemma 9.48 *Let X be a compact geodesic metric space, which is a subspace of an injective metric space (E, d_E) . Then, for any $r > 0$, the canonical inclusion $\iota_r: X \hookrightarrow B_r(X, E)$ induces a surjection at the level of fundamental groups. In particular, this also implies ι_r induces a surjection at the level of first degree of homology.*

Proof Let $\gamma: [0, 1] \rightarrow B_r(X, E)$ be an arbitrary continuous path with endpoints x and x' in X . It is enough to show that γ is homotopy equivalent to a path in X relative to its endpoints. By the Lebesgue number lemma, one can choose $0 = t_0 < t_1 < \dots < t_n = 1$ such that there exists $x_i \in X$ satisfying $\gamma([t_{i-1}, t_i]) \subseteq B_r(x_i, E)$ for each $i \in \{1, \dots, n\}$. Let $y_i := \gamma(t_i)$ for $i \in \{0, \dots, n\}$. Since each $B_r(x_i, E)$ is contractible by Lemma 2.28, one can choose continuous paths α_i and β_i contained in $B_r(x_i, E)$ such that α_i is from y_{i-1} to x_i and β_i is from x_i to y_i . As $B_r(x_i, E)$ is contractible, $\gamma|_{[t_{i-1}, t_i]}$ is homotopy equivalent to $\alpha_i \cdot \beta_i$ relative to endpoints. Hence

$$\gamma \simeq (\alpha_1 * \beta_1) * \dots * (\alpha_n * \beta_n)$$

relative to endpoints. Note that α_1 and β_n can be chosen as geodesics in X as they connect x and x_1 in $B_r(x_1, E)$ and x_n and x' in $B_r(x_n, E)$, respectively. Hence it is enough to show that

$$(\beta_1 * \alpha_2) * \dots * (\beta_{n-1} * \alpha_n)$$

is homotopy equivalent to a path in X relative to endpoints. Let us show that $\beta_i \cdot \alpha_{i+1}$ is homotopy equivalent to a path in X for each i . Let p be a midpoint of x_i and x_{i+1} in X . Note that p and y_i are contained in $B_r(x_i, E) \cap B_r(x_{i+1}, E)$, which is contractible (again by Lemma 2.28). Let θ be a path in that intersection from y_i to p . Let $\gamma_{x_i, p}$ be a shortest geodesic in X from x_i to p and $\gamma_{p, x_{i+1}}$ be a shortest geodesic in X from p to x_{i+1} . Note that $\gamma_{x_i, p} \cdot \bar{\theta}$ is contained in $B_r(x_i)$ and has endpoints x_i and y_i ; hence it is homotopy equivalent to β_i relative to endpoints. Similarly $\theta \cdot \gamma_{p, x_{i+1}}$ is homotopy equivalent to α_{i+1} relative to endpoints. Hence

$$\beta_i \cdot \alpha_{i+1} \simeq \gamma_{x_i, p} \cdot \bar{\theta} \cdot \theta \cdot \gamma_{p, x_{i+1}} \simeq \gamma_{x_i, p} \cdot \gamma_{p, x_{i+1}}$$

relative to endpoints. This completes the proof of the first claim.

For the second claim, exploit [49, Theorem 2A.1]. □

In [81, Theorem 8.10], Virk provided a proof of the corollary below which takes place at the simplicial level. The proof we give below exploits the hyperconvexity properties of $L^\infty(X)$ and also our isomorphism theorem, Theorem 4.1. Given our main results, we can give a more concise proof. See [28, Section 3] for related results.

Corollary 9.49 *Let X be a compact geodesic metric space. Then, for any $I \in \text{barc}_1^{\text{YR}}(X; \mathbb{F})$, there exists $\omega \in H_1(X; \mathbb{Z})$ such that $I = (0, 2 \text{FillRad}_1(X, \mathbb{Z}, \omega)]$.*

Proof Apply Lemma 9.48 and Theorem 4.1. □

A conjecture After seeing the proof of Proposition 9.46, some readers might wonder whether one can prove a version of Hausmann’s theorem [50, Theorem 3.5] for compact ANR metric spaces. This leads to formulating the conjecture below:

Conjecture 9.50 *Let (X, d_X) be a compact ANR metric space. Then, there exists $r(X) > 0$ such that $\text{VR}_r(X)$ is homotopy equivalent to X for any $r \in (0, r(X)]$.*

9.4 Rigidity of spheres

A problem of interest in the area of persistent homology is that of deciding how much information from a metric space is captured by its associated persistent homology invariants. One basic (admittedly imprecise) question that we posed on page 1024 is:

Question 1 Assume X and Y are compact metric spaces such that $\text{barc}_k^{\text{VR}}(X; \mathbb{F}) = \text{barc}_k^{\text{VR}}(Y; \mathbb{F})$ for all $k \in \mathbb{Z}_{\geq 0}$. Then how similar are X and Y (in a suitable sense)?

As proved in [66] via the notion of *core* of a metric graph or as a consequence of [50, Proposition 2.2], the unit circle \mathbb{S}^1 and the join X of \mathbb{S}^1 with disjoint trees of arbitrary length (regarded as a geodesic metric space) have the same Vietoris–Rips persistence barcodes (for all dimensions); see Figure 10. However, by increasing the length of the trees attached these two spaces are at arbitrarily large Gromov–Hausdorff distance, as shown in Figure 10. This means that, in full generality, Question 1 does not admit a reasonable answer if “similarity” is measure in a strict metric sense via the Gromov–Hausdorff distance.

A related type of questions one might pose are of the type:

Question 3 Let \mathcal{C} be a given class of compact metric spaces. Does there exist $\epsilon_{\mathcal{C}} > 0$ such that whenever $d_{\text{B}}(\text{barc}_{\star}^{\text{VR}}(X), \text{barc}_{\star}^{\text{VR}}(Y)) < \epsilon_{\mathcal{C}}$ for some $X, Y \in \mathcal{C}$, then X and Y are homotopy equivalent?

Answers to questions such as Questions 1 and 3 above (together with Questions 2(i), 2(ii), and 2(iii) on page 1025) are not currently known in full generality. One might then consider “localized” versions of the above questions: fix some special compact metric space X_0 , and then assume Y satisfies the respective conditions stipulated in the above question statements.

In this regard, from work by Wilhelm [83, Main Theorem 2] and Proposition 9.28 we immediately obtain the following corollary for the case of Riemannian manifolds:

Corollary 9.51 ($\text{barc}_{\star}^{\text{VR}}$ rigidity for spheres) For any closed connected n -dimensional Riemannian manifold M with sectional curvature $K_M \geq 1$:

- (1) $I_{n, \mathbb{F}}^M \subseteq I_n^{\mathbb{S}^n}$.
- (2) If $I_{n, \mathbb{F}}^M = I_n^{\mathbb{S}^n}$ then M is isometric to \mathbb{S}^n .
- (3) There exists $\epsilon_n > 0$ such that if $\text{length}(I_n^{\mathbb{S}^n}) - \epsilon_n < \text{length}(I_{n, \mathbb{F}}^M)$, then M is diffeomorphic to \mathbb{S}^n .
- (4) If $\text{length}(I_{n, \mathbb{F}}^M) > \frac{\pi}{3}$, then M is a twisted n -sphere (and, in particular, homotopy equivalent to the n -sphere).

Remark 9.52 The case of $n = 1$ is simpler. Let M be an arbitrary closed connected 1-dimensional Riemannian manifold. Then, M is isometric to $r \cdot \mathbb{S}^1$ for some $r > 0$ and $I_{1, \mathbb{F}}^M = (0, \frac{2\pi}{3}r]$. Hence, $I_{1, \mathbb{F}}^M = I_1^{\mathbb{S}^1}$ obviously implies M is isometric to \mathbb{S}^1 .

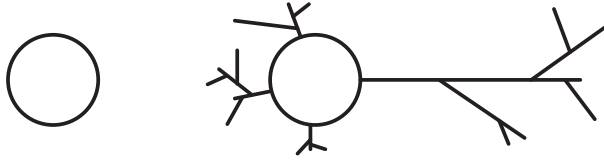


Figure 10: Two geodesic spaces with the same Vietoris–Rips persistence barcodes. Notice that these spaces are at a large Gromov–Hausdorff distance.

Remark 9.53 Wilhelm’s method of proof does not yield an explicit value for the parameter ϵ_n given in item (2) above. Wilhelm’s rigidity result was extended to Alexandrov spaces by Yokota [84], so Corollary 9.51 can be generalized to that context.

Example 9.54 (a one-parameter family of surfaces with the same filling radius as \mathbb{S}^2) If we ignore the sectional curvature condition in Corollary 9.51, then for each $\epsilon > 0$ small enough one can construct a one-parameter family $\{\mathbb{S}_h^2 \mid h \in [0, \text{FillRad}(\mathbb{S}^2) - \epsilon]\}$ of surfaces with the same filling radius as \mathbb{S}^2 such that $\mathbb{S}_0^2 = \mathbb{S}^2$ but \mathbb{S}_h^2 is not isometric to \mathbb{S}^2 for any $h > 0$. This phenomenon is analogous to the one depicted in Figure 10.

Here is the construction (see Figure 2):

Let $u_1, u_2, u_3,$ and u_4 be the vertices of a regular tetrahedron inscribed in \mathbb{S}^2 . Hence, $d_{\mathbb{S}^2}(u_i, u_j) = 2 \text{FillRad}(\mathbb{S}^2)$ for any $i \neq j$. Now, let T be a very small spherical triangle contained inside the spherical triangle determined by the points $u_1, u_2,$ and u_3 as in Figure 2, left. In other words, we choose $\epsilon := \text{diam}(T) \ll 2 \text{FillRad}(\mathbb{S}^2)$.

Now, for any $h \geq 0$, we define \mathbb{S}_h^2 by

$$\mathbb{S}_h^2 := (\mathbb{S}^2 \setminus \text{Int}(T) \times \{0\}) \cup (\partial T \times [0, h]) \cup (T \times \{h\}) \subsetneq \mathbb{S}^2 \times [0, h]$$

with the metric

$$d_{\mathbb{S}_h^2}((x, s), (y, t)) := d_{\mathbb{S}^2}(x, y) + |s - t|.$$

Then \mathbb{S}_h^2 is a 2–dimensional metric manifold. See Figure 2, right, for the description of \mathbb{S}_h^2 . Also, note that the map

$$P_h : \mathbb{S}_h^2 \rightarrow \mathbb{S}^2, \quad (x, s) \mapsto x,$$

is 1–Lipschitz.

Claim 1 First, we claim that $\text{FillRad}(\mathbb{S}_h^2) \geq \text{FillRad}(\mathbb{S}^2)$ for any $h \geq 0$.

Proof Note that, since P_h is 1–Lipschitz, the diagram

$$\begin{array}{ccc} \mathbb{S}_h^2 & \hookrightarrow & B_r(\mathbb{S}_h^2, L^\infty(\mathbb{S}_h^2)) \\ P_h \downarrow & & \downarrow \tilde{P}_h \\ \mathbb{S}^2 & \hookrightarrow & B_r(\mathbb{S}^2, L^\infty(\mathbb{S}^2)) \end{array}$$

commutes for any $r > 0$. Since $(P_h)_*([\mathbb{S}_h^2]) = [\mathbb{S}^2]$, this implies $\text{FillRad}(\mathbb{S}_h^2) \geq \text{FillRad}(\mathbb{S}^2)$. □

Claim 2 Next, we claim that $\text{FillRad}(\mathbb{S}_h^2) \leq \text{FillRad}(\mathbb{S}^2)$ whenever $h + \varepsilon \leq 2 \text{FillRad}(\mathbb{S}^2)$.

Proof For this we will prove that the spread of \mathbb{S}_h^2 is bounded by twice the filling radius of \mathbb{S}^2 .

Note that the set $\{(u_1, 0), (u_2, 0), (u_3, 0), (u_4, 0)\} \subset \mathbb{S}_h^2$ satisfies

- (1) $\text{diam}(\{(u_1, 0), (u_2, 0), (u_3, 0), (u_4, 0)\}) = 2 \text{FillRad}(\mathbb{S}^2)$, and
- (2) $\min_{i \in \{1,2,3,4\}} d_{\mathbb{S}_h^2}((x, s), (u_i, 0)) \leq 2 \text{FillRad}(\mathbb{S}^2)$ for any $(x, s) \in \mathbb{S}_h^2$.

Observe that the second condition holds because if $(x, s) \in \partial T \times [0, h] \cup T \times \{h\}$ (the triangular cylinder with its cap), $d_{\mathbb{S}_h^2}((x, s), (u_1, 0)) = d_{\mathbb{S}^2}(x, u_1) + s \leq h + \varepsilon \leq 2 \text{FillRad}(\mathbb{S}^2)$.

Hence, by Proposition 9.33, $\text{FillRad}(\mathbb{S}_h^2) \leq \frac{1}{2} \text{spread}(\mathbb{S}_h^2) \leq \text{FillRad}(\mathbb{S}^2)$. □

We then conclude that $\text{FillRad}(\mathbb{S}^2) = \text{FillRad}(\mathbb{S}_h^2)$ whenever $h \in [0, 2 \text{FillRad}(\mathbb{S}^2) - \varepsilon]$.

Remark 9.55 The above construction can be generalized to \mathbb{S}^n for $n \geq 3$. Also, the small subset T need not be a spherical triangle in general, though the argument becomes more involved in that case. For example, one can choose T to be a small geodesic disk on \mathbb{S}^2 .

Rigidity theorems with respect to the bottleneck distance Propositions 9.56 and 9.57 below provide rigidity results with respect to the bottleneck distance (see Definition 2.12).

For the rest of this subsection we will assume that an arbitrary constant $c \geq 1$ is fixed.

Proposition 9.56 Suppose M is a closed connected n -dimensional Riemannian manifold with sectional curvature $K_M \in [1, c]$ and injectivity radius $\text{Inj}(M) \geq \pi/2\sqrt{c}$, then:

- (1) There exists $\varepsilon_n > 0$ such that, if

$$d_B(\text{barc}_n^{\text{VR}}(M; \mathbb{F}), \text{barc}_n^{\text{VR}}(\mathbb{S}^n; \mathbb{F})) < \min\left\{\varepsilon_n, \frac{1}{\pi\sqrt{c}} \cdot \text{FillRad}(\mathbb{S}^n)\right\},$$

then M is diffeomorphic to \mathbb{S}^n .

- (2) If $d_B(\text{barc}_n^{\text{VR}}(M; \mathbb{F}), \text{barc}_n^{\text{VR}}(\mathbb{S}^n; \mathbb{F})) < \min\{2 \text{FillRad}(\mathbb{S}^n) - \frac{\pi}{3}, (1/\pi\sqrt{c}) \cdot \text{FillRad}(\mathbb{S}^n)\}$, then M is a twisted n -sphere (and, in particular, homotopy equivalent to the n -sphere).

If M is even-dimensional, then we can drop the assumption on the injectivity radius.

Proposition 9.57 Suppose M is a closed connected n -dimensional Riemannian manifold with sectional curvature $K_M \in [1, c]$ for even n , then:

- (1) There exists $\varepsilon_n > 0$ such that, if

$$d_B(\text{barc}_n^{\text{VR}}(M; \mathbb{F}), \text{barc}_n^{\text{VR}}(\mathbb{S}^n; \mathbb{F})) < \min\left(\varepsilon_n, \frac{1}{4\sqrt{c}} \cdot \text{FillRad}(\mathbb{S}^n)\right),$$

then M is diffeomorphic to \mathbb{S}^n .

- (2) If $d_B(\text{barc}_n^{\text{VR}}(M; \mathbb{F}), \text{barc}_n^{\text{VR}}(\mathbb{S}^n; \mathbb{F})) < \min\{2 \text{FillRad}(\mathbb{S}^n) - \frac{\pi}{3}, (1/4\sqrt{c}) \cdot \text{FillRad}(\mathbb{S}^n)\}$, then M is a twisted n -sphere (and, in particular, homotopy equivalent to the n -sphere).

Lemma 9.58 *Let M be a closed connected n -dimensional Riemannian manifold. If*

$$d_B(\text{barc}_n^{\text{VR}}(M; \mathbb{F}), \text{barc}_n^{\text{VR}}(\mathbb{S}^n; \mathbb{F})) < \varepsilon$$

for some $\varepsilon \in (0, 2 \text{FillRad}(\mathbb{S}^n)]$, then either

- (1) $\text{FillRad}(M; \mathbb{F}) < \varepsilon$, or
- (2) $2|\text{FillRad}(M; \mathbb{F}) - \text{FillRad}(\mathbb{S}^n)| < \varepsilon$.

Proof By [Proposition 9.28](#), we know that $(0, 2 \text{FillRad}(M; \mathbb{F})] \in \text{barc}_n^{\text{VR}}(M; \mathbb{F})$. Suppose

$$d_B(\text{barc}_n^{\text{VR}}(M; \mathbb{F}), \text{barc}_n^{\text{VR}}(\mathbb{S}^n; \mathbb{F})) < \varepsilon$$

for some $\varepsilon \in (0, 2 \text{FillRad}(\mathbb{S}^n)]$. Then there is a partial matching (see [Definition 2.12](#)) R_ε between $\text{barc}_n^{\text{VR}}(M; \mathbb{F})$ and $\text{barc}_n^{\text{VR}}(\mathbb{S}^n; \mathbb{F})$ such that $\text{cost}(R_\varepsilon) < \varepsilon$. Consider the following two cases:

- (1) Suppose the interval $(0, 2 \text{FillRad}(M; \mathbb{F})]$ is not matched to any interval in $\text{barc}_n^{\text{VR}}(\mathbb{S}^n; \mathbb{F})$. Then

$$\text{FillRad}(M; \mathbb{F}) \leq \text{cost}(R_\varepsilon) < \varepsilon.$$

- (2) Suppose $(0, 2 \text{FillRad}(M; \mathbb{F})]$ is matched to some interval $(u, v] \in \text{barc}_n^{\text{VR}}(\mathbb{S}^n; \mathbb{F})$ in the partial matching R_ε . Then we claim that $(u, v] = (0, 2 \text{FillRad}(\mathbb{S}^n)]$. Suppose not. Since we know that $\text{VR}_r(\mathbb{S}^n) \simeq \mathbb{S}^n$ for any $r \in (0, 2 \text{FillRad}(\mathbb{S}^n)]$ by [Theorem 7.1](#), any interval in $\text{barc}_n^{\text{VR}}(\mathbb{S}^n; \mathbb{F})$ other than $(0, 2 \text{FillRad}(M; \mathbb{F})]$ must be born after $2 \text{FillRad}(\mathbb{S}^n)$. In particular, $u \geq 2 \text{FillRad}(\mathbb{S}^n)$. This implies

$$2 \text{FillRad}(\mathbb{S}^n) \leq |u - 0| \leq \text{cost}(R_\varepsilon) < \varepsilon \leq 2 \text{FillRad}(\mathbb{S}^n),$$

which is a contradiction. Hence, $(0, 2 \text{FillRad}(M; \mathbb{F})]$ is matched to $(0, 2 \text{FillRad}(\mathbb{S}^n)]$ in the optimal matching. Therefore,

$$2|\text{FillRad}(M; \mathbb{F}) - \text{FillRad}(\mathbb{S}^n)| \leq \text{cost}(R_\varepsilon) < \varepsilon. \quad \square$$

The proof strategy for [Propositions 9.56](#) and [9.57](#) is to invoke Wilhelm’s result [[83](#), Main Theorem 2] and [Lemma 9.58](#) above. However, if $\text{FillRad}(M)$ were small, one would not be able to apply Wilhelm’s theorem. To avoid that, we will invoke a result due to Liu [[64](#)].

Proof of Proposition 9.56 Since $c \geq 1$, $(1/\pi\sqrt{c}) \cdot \text{FillRad}(\mathbb{S}^n) \leq 2 \text{FillRad}(\mathbb{S}^n)$.

- (1) By [Corollary 9.51\(3\)](#), there is an $\varepsilon_n > 0$ such that $2|\text{FillRad}(M; \mathbb{F}) - \text{FillRad}(\mathbb{S}^n)| < \varepsilon_n$ implies M is diffeomorphic to \mathbb{S}^n .

Suppose $d_B(\text{barc}_n^{\text{VR}}(M; \mathbb{F}), \text{barc}_n^{\text{VR}}(\mathbb{S}^n; \mathbb{F})) < \min\{\varepsilon_n, (1/\pi\sqrt{c}) \cdot \text{FillRad}(\mathbb{S}^n)\}$. Then

$$\text{FillRad}(M; \mathbb{F}) < \min\left\{\varepsilon_n, \frac{1}{\pi\sqrt{c}} \cdot \text{FillRad}(\mathbb{S}^n)\right\}$$

or

$$2|\text{FillRad}(M; \mathbb{F}) - \text{FillRad}(\mathbb{S}^n)| < \min\left\{\varepsilon_n, \frac{1}{\pi\sqrt{c}} \cdot \text{FillRad}(\mathbb{S}^n)\right\}$$

by Lemma 9.58. However, the first case is impossible since $\text{FillRad}(M; \mathbb{F}) \geq (1/\pi \sqrt{c}) \cdot \text{FillRad}(\mathbb{S}^n)$ by [64, Proofs of Theorem 1.1 and Proposition 1.6]. Therefore,

$$2|\text{FillRad}(M; \mathbb{F}) - \text{FillRad}(\mathbb{S}^n)| < \min\left\{\varepsilon_n, \frac{1}{\pi \sqrt{c}} \cdot \text{FillRad}(\mathbb{S}^n)\right\} \leq \varepsilon_n,$$

so M and \mathbb{S}^n are diffeomorphic.

(2) By basically the same argument,

$$d_B(\text{barc}_n^{\text{VR}}(M; \mathbb{F}), \text{barc}_n^{\text{VR}}(\mathbb{S}^n; \mathbb{F})) < \min\left\{2 \text{FillRad}(\mathbb{S}^n) - \frac{\pi}{3}, \frac{1}{\pi \sqrt{c}} \cdot \text{FillRad}(\mathbb{S}^n)\right\}$$

implies $2|\text{FillRad}(M; \mathbb{F}) - \text{FillRad}(\mathbb{S}^n)| < 2 \text{FillRad}(\mathbb{S}^n) - \frac{\pi}{3}$. Therefore, $\text{length}(I_{n, \mathbb{F}}^M) > \frac{\pi}{3}$, so M is a twisted n -sphere. \square

Proof of Proposition 9.57 The proof is basically the same as the proof of Proposition 9.56. The only difference is we have to use [64, Remark 1.8(3)] instead of [64, Proposition 1.6]. \square

9.5 Stability of the filling radius

In [64], Liu studies the mapping properties of the filling radius. His results can be interpreted as providing certain guarantees for how the filling radius changes under *multiplicative* distortion of metrics. Here we study the effect of additive distortion.

Question 4 Under suitable restrictions, does there exist a constant $L > 0$ such that for all closed connected metric manifolds M and N ,

$$(7) \quad |\text{FillRad}(M) - \text{FillRad}(N)| \leq L \cdot d_{\text{GH}}(M, N)?$$

This question is whether the filling radius could be stable as a map from the collection of all metric manifolds to the real line. The answer is negative, as the following example proves:

Example 9.59 (counterexample for manifolds with different dimension) Fix $\epsilon > 0$ and let $M = \mathbb{S}^1$ and $N_\epsilon = \mathbb{S}^1 \times (\epsilon \cdot \mathbb{S}^1)$, a thin torus. Then, it is clear that $d_{\text{GH}}(M, N_\epsilon) \leq \epsilon$ whereas $\text{FillRad}(\mathbb{S}^1) = \frac{\pi}{3}$ and, by Remark 9.31, $\text{FillRad}(N_\epsilon) = \frac{\pi}{3}\epsilon$. This means that (7) cannot hold in general.

A subsequent possibility is considering only manifolds with the same dimension. The answer in this case is also negative:

Example 9.60 (counterexample for manifolds with the same dimension) Let $n \geq 2$ be any integer and $\epsilon, \delta > 0$; we assume that $\delta \ll \epsilon$ so that a certain tubular neighborhood construction described below works. Consider $M = \mathbb{S}^n \subset \mathbb{R}^{n+1}$. Endow \mathbb{S}^n with the usual round Riemannian metric. Let G_ϵ be a (finite) metric graph embedded in \mathbb{S}^n such that $d_{\text{GH}}(\mathbb{S}^n, G_\epsilon) < \epsilon$; such graphs always exist for compact geodesic

spaces [15, Proposition 7.5.5]. Now, let $N_{\epsilon,\delta}$ be (a suitably smoothed out version of) the boundary of the δ -tubular neighborhood of G_ϵ in \mathbb{R}^{n+1} . Then $d_{\text{GH}}(M, N_{\epsilon,\delta}) \leq C \cdot (\epsilon + \delta)$, for some constant $C > 0$ whose exact value is not relevant. However, $\text{FillRad}(M) = \frac{1}{2} \arccos(-1/(n+1)) \geq \frac{\pi}{4}$, whereas $\text{FillRad}(N_{\epsilon,\delta}) \leq C_n \cdot \delta$ by inequality (5). This means that (7) cannot hold in general, even when the manifolds M and N have the same dimension.

We are however able to establish the following:

Proposition 9.61 (stability of the filling radius) *Let M be a closed connected n -dimensional manifold. Let d_1 and d_2 be two metrics on M compatible with the manifold topology. Then*

$$|\text{FillRad}(M, d_1) - \text{FillRad}(M, d_2)| \leq \|d_1 - d_2\|_\infty.$$

Actually, one can prove a more general result.

Proposition 9.62 (stability of generalized filling radii) *Let M be a closed connected manifold. Let d_1 and d_2 be two metrics on M compatible with the manifold topology. For any integer $k \geq 0$, any abelian group G , and any nonzero $\omega \in H_k(M; G)$,*

$$|\text{FillRad}_k((M, d_1), G, \omega) - \text{FillRad}_k((M, d_2), G, \omega)| \leq \|d_1 - d_2\|_\infty.$$

Remark 9.63 Proposition 9.61 is just a special case of Proposition 9.62 when $k = n$, $\omega = [M]$, and $G = \mathbb{Z}$ or \mathbb{Z}_2 .

Proof of Proposition 9.62 Let $i_1: (M, d_1) \rightarrow L^\infty(M)$ and $i_2: (M, d_2) \rightarrow L^\infty(M)$ be the Kuratowski embeddings of M into $L^\infty(M)$ with respect to d_1 and d_2 , respectively. For arbitrary $r > 0$, let $i_1^r: (M, d_1) \rightarrow B_r(i_1(M), L^\infty(M))$ and $i_2^r: (M, d_2) \rightarrow B_r(i_2(M), L^\infty(M))$ denote the corresponding isometric embeddings induced from i_1 and i_2 . For arbitrary $r > 0$, observe that

$$B_r(i_1(M), L^\infty(M)) \subseteq B_{r+\|d_1-d_2\|_\infty}(i_2(M), L^\infty(M))$$

because, for arbitrary $f \in B_r(i_1(M), L^\infty(M))$, there exist $x \in M$ such that $\|f - d_1(x, \cdot)\|_\infty < r$; hence,

$$\|f - d_2(x, \cdot)\|_\infty \leq \|f - d_1(x, \cdot)\|_\infty + \|d_1(x, \cdot) - d_2(x, \cdot)\|_\infty < r + \|d_1 - d_2\|_\infty.$$

In a similar way, one can prove that $B_r(i_2(M), L^\infty(M)) \subseteq B_{r+\|d_1-d_2\|_\infty}(i_1(M), L^\infty(M))$.

Now, fix arbitrary $r > \text{FillRad}_k((M, d_1), G, \omega)$ and let

$$j^r: B_r(i_1(M), L^\infty(M)) \hookrightarrow B_{r+\|d_1-d_2\|_\infty}(i_2(M), L^\infty(M))$$

be the canonical inclusion map. The maps defined above fit into the following (in general noncommutative) diagram:

$$\begin{array}{ccc} M & \xrightarrow{i_1^r} & B_r(i_1(M), L^\infty(M)) \\ & \searrow^{i_2^{r+\|d_1-d_2\|_\infty}} & \downarrow j^r \\ & & B_{r+\|d_1-d_2\|_\infty}(i_2(M), L^\infty(M)) \end{array}$$

Next, we prove that $j^r \circ i_1^r$ is homotopic to $i_2^{r+\|d_1-d_2\|_\infty}$ via the linear interpolation

$$H : M \times [0, 1] \rightarrow B_{r+\|d_1-d_2\|_\infty}(i_2(M), L^\infty(M)), \quad (x, t) \mapsto (1-t)d_1(x, \cdot) + td_2(x, \cdot).$$

The only subtle point is whether this linear interpolation is always contained in the thickening

$$B_{r+\|d_1-d_2\|_\infty}(i_2(M), L^\infty(M))$$

or not. To ascertain this, for arbitrary $x \in M$ and $t \in [0, 1]$, compute the distance between $H(x, t)$ and $d_2(x, \cdot)$ as

$$\|(1-t)d_1(x, \cdot) + td_2(x, \cdot) - d_2(x, \cdot)\|_\infty = |1-t| \cdot \|d_1(x, \cdot) - d_2(x, \cdot)\|_\infty \leq \|d_1 - d_2\|_\infty < r + \|d_1 - d_2\|_\infty.$$

Hence, H is a well-defined homotopy between $j^r \circ i_1^r$ and $i_2^{r+\|d_1-d_2\|_\infty}$. Therefore,

$$(j^r)_* \circ (i_1^r)_* = (i_2^{r+\|d_1-d_2\|_\infty})_*.$$

From the assumption on r , we know that $(i_1^r)_*(\omega) = 0$. By the above, this implies that

$$(i_2^{r+\|d_1-d_2\|_\infty})_*(\omega) = 0.$$

Hence,

$$\text{FillRad}_k((M, d_2), G, \omega) \leq \text{FillRad}_k((M, d_1), G, \omega) + \|d_1 - d_2\|_\infty$$

since $r > \text{FillRad}_k((M, d_1), G, \omega)$ is arbitrary. In a similar way, one can also show

$$\text{FillRad}_k((M, d_1), G, \omega) \leq \text{FillRad}_k((M, d_2), G, \omega) + \|d_1 - d_2\|_\infty. \quad \square$$

9.5.1 The strong filling radius Examples 9.59 and 9.60 suggest that the setting of Proposition 9.61 might be a suitable one for studying stability of the filling radius.

In this section we consider a certain strong variant of the filling radius satisfying (7) which arises from the notion of persistent homology.

Definition 9.64 (strong filling radius) Given a closed connected n -dimensional metric manifold M and a field \mathbb{F} , we define the *strong filling radius* $\text{sFillRad}(M; \mathbb{F})$ as half the length of the largest interval in the n^{th} Vietoris–Rips persistence barcode of M ,

$$\text{sFillRad}(M; \mathbb{F}) := \frac{1}{2} \max\{\text{length}(I) \mid I \in \text{barc}_n^{\text{VR}}(M; \mathbb{F})\}.$$

The reader familiar with concepts from applied algebraic topology will have noticed that the definition of strong filling radius of an n -dimensional metric manifold coincides with (one half of) the *maximal persistence* of its associated Vietoris–Rips persistence module. In fact, for each nonnegative integer k one can define the k -dimensional version of strong filling radius of any compact metric space X .

Definition 9.65 (generalized strong filling radius) Given a compact metric space X , a field \mathbb{F} , and a nonnegative integer $k \geq 0$, we define the *generalized strong filling radius* $\text{sFillRad}_k(X; \mathbb{F})$ as half the length of the largest interval in the k^{th} Vietoris–Rips persistence barcode of X ,

$$\text{sFillRad}_k(X; \mathbb{F}) := \frac{1}{2} \max\{\text{length}(I) \mid I \in \text{barc}_k^{\text{VR}}(X; \mathbb{F})\}.$$

Remark 9.66 • When X is isometric to a metric manifold M with dimension n , we of course have $\text{sFillRad}_n(X) = \text{sFillRad}(M)$.

- In general, sFillRad_k and FillRad_k are obviously related in the sense that

$$\text{sFillRad}_k(X; \mathbb{F}) \geq \sup\{\text{FillRad}_k(X, \mathbb{F}, \omega) \mid \omega \in H_k(X; \mathbb{F})\}$$

for any nonnegative integer k .

The following remark follows directly from Propositions 9.7 and 9.28:

Remark 9.67 $\text{FillRad}(M; \mathbb{F}) \leq \text{sFillRad}(M; \mathbb{F}) \leq \frac{1}{2} \text{spread}(M)$ for any field \mathbb{F} when M is orientable, and $\mathbb{F} = \mathbb{Z}_2$ when M is nonorientable.

Definition 9.68 (\mathbb{F} –regularly filled manifold) Let (M, d_M) be a closed connected metric manifold and \mathbb{F} be a field. We say that M is \mathbb{F} –regularly filled if $\text{FillRad}(M; \mathbb{F}) = \text{sFillRad}(M; \mathbb{F})$.

Remark 9.69 For each $n \geq 1$, the n –dimensional unit sphere with the intrinsic metric is \mathbb{F} –regularly filled for any field \mathbb{F} . Indeed, by [54, Proof of Theorem 2], $\text{FillRad}(S^n) = \frac{1}{2} \text{spread}(S^n)$. Hence, the result follows from Remark 9.67.

As a consequence of the remark above and Remark 9.3 we have:

Corollary 9.70 For all integers $n \geq 1$, $\text{FillRad}(S^n) = \text{sFillRad}(S^n; \mathbb{F}) = \frac{1}{2} \arccos(-1/(n + 1))$.

There exist, however, nonregularly filled metric manifolds. We present two examples: the first one arises from our study of the Künneth formula in Section 6, whereas the second one is a direct construction. Both examples make use of results from [1] about homotopy types of Vietoris–Rips complexes of S^1 .

Example 9.71 (a nonregularly filled metric manifold) Fix $r > 1$ and let X be the ℓ^∞ –product $S^1 \times S^1 \times (r \cdot S^1)$. By Remark 9.31, $\text{FillRad}(X) = \text{FillRad}(S^1) = \frac{2\pi}{3}$. By Example 6.4, $\text{barc}_3^{\text{VR}}(X; \mathbb{F})$ contains the interval $(\frac{2\pi}{3}r, \frac{4\pi}{5}r]$, which has length $\frac{2\pi}{15}r$. Hence, if $r > 5$, X is not \mathbb{F} –regularly filled.

Example 9.72 (a nonregularly filled Riemannian manifold) Take any embedding of S^1 into \mathbb{R}^4 and let $\epsilon > 0$ be small. Consider the boundary C_ϵ of the ϵ –tubular neighborhood around S^1 . This will be a 3–dimensional submanifold of \mathbb{R}^4 . As a submanifold it inherits the ambient inner product and

C_ϵ can be regarded as a Riemannian manifold in itself. Then, as a metric space, with the geodesic distance, C_ϵ will be ϵ -close to \mathbb{S}^1 (with geodesic distance) in the Gromov–Hausdorff sense. Because we know that for $r \in (\frac{2\pi}{3}, \frac{4\pi}{5}]$, $\text{VR}_r(\mathbb{S}^1) \simeq \mathbb{S}^3$, and because of the Gromov–Hausdorff stability of barcodes (Theorem 2.14), it must be that $\text{barc}_3^{\text{VR}}(C_\epsilon; \mathbb{F})$ contains an interval I which itself contains $(\frac{2\pi}{3} + \epsilon, \frac{4\pi}{5} - \epsilon)$. This latter interval is nonempty whenever $\epsilon > 0$ is small enough, so $\text{sFillRad}(C_\epsilon; \mathbb{F}) \approx \frac{2\pi}{15} - 2\epsilon$. However, $\text{FillRad}(C_\epsilon) \approx \epsilon$.

By invoking the relationship between the Vietoris–Rips persistent homology and the strong filling radius, one can verify that the strong filling radii of two n -dimensional metric manifolds M and N are close if these two manifolds are similar in the Gromov–Hausdorff distance sense.

Proposition 9.73 *Let X and Y be compact metric spaces. Then, for any integer $k \geq 0$,*

$$|\text{sFillRad}_k(X; \mathbb{F}) - \text{sFillRad}_k(Y; \mathbb{F})| \leq 2d_{\text{GH}}(X, Y).$$

Proof By Remark 4.8 one has

$$2d_{\text{GH}}(X, Y) \geq d_{\text{I}}(\text{barc}_k^{\text{VR}}(X; \mathbb{F}), \text{barc}_k^{\text{VR}}(Y; \mathbb{F})) \geq |d_{\text{I}}(\text{barc}_k^{\text{VR}}(X; \mathbb{F}), 0_*) - d_{\text{I}}(\text{barc}_k^{\text{VR}}(Y; \mathbb{F}), 0_*)|,$$

where the last inequality follows from the triangle inequality for the interleaving distance. The conclusion now follows from Example 2.11. \square

Remark 9.74 Albeit for the notation sFillRad_k , the above stability result should be well known to readers familiar with applied algebraic topology concepts — we state and prove it here however to provide some background for those readers who are not.

Appendix

A.1 Proof of Proposition 9.23

Proposition 9.23 *Let X be a compact metric space. Then, for any $f, g, h \in L^\infty(X)$ and $0 \leq s \leq t \leq 1$, the Katz geodesic bicombing γ_K on $L^\infty(X)$ satisfies*

- (1) $\gamma_K(f, g, 0) = f$ and $\gamma_K(f, g, 1) = g$;
- (2) $\|\gamma_K(f, g, s) - \gamma_K(f, g, t)\|_\infty = (t - s) \cdot \|f - g\|_\infty$;
- (3) $\|\gamma_K(f, g, t) - \gamma_K(h, g, t)\|_\infty \leq 2\|f - h\|_\infty$;
- (4) $\|\gamma_K(f, g, t) - \gamma_K(f, h, t)\|_\infty \leq \|g - h\|_\infty$;
- (5) $\gamma_K(\phi, \psi, \lambda) = \gamma_K(f, g, (1 - \lambda)s + \lambda t)$ where $\phi = \gamma_K(f, g, s)$ and $\psi = \gamma_K(f, g, t)$ for any $\lambda \in [0, 1]$ (this property is called **consistency**);
- (6) $\|\gamma_K(f, g, r) - h\|_\infty \leq \max\{\|\gamma_K(f, g, s) - h\|_\infty, \|\gamma_K(f, g, t) - h\|_\infty\}$ for any $r \in [s, t]$.

Proof (1) The first claim trivially follows from the definition of γ_K and that of the ℓ^∞ -norm.

(2) For the second claim, observe that it is enough to show

$$\|\gamma_K(f, g, s) - \gamma_K(f, g, t)\|_\infty \leq (t - s) \cdot \|f - g\|_\infty$$

for any $f, g \in L^\infty(X)$ and $0 \leq s \leq t \leq 1$.

Fix an arbitrary $x \in X$. Without loss of generality, one can assume that $f(x) \geq g(x)$. Then

$$|\gamma_K(f, g, s)(x) - \gamma_K(f, g, t)(x)| = \max\{f(x) - s\|f - g\|_\infty, g(x)\} - \max\{f(x) - t\|f - g\|_\infty, g(x)\}.$$

Observe that, if $s \in [0, (f(x) - g(x))/\|f - g\|_\infty]$,

$$\max\{f(x) - s\|f - g\|_\infty, g(x)\} = f(x) - s\|f - g\|_\infty.$$

Hence,

$$\begin{aligned} |\gamma_K(f, g, s)(x) - \gamma_K(f, g, t)(x)| &= (f(x) - s\|f - g\|_\infty) - \max\{f(x) - t\|f - g\|_\infty, g(x)\} \\ &\leq (f(x) - s\|f - g\|_\infty) - (f(x) - t\|f - g\|_\infty) \\ &= (t - s)\|f - g\|_\infty. \end{aligned}$$

Also, if $s \in [(f(x) - g(x))/\|f - g\|_\infty, 1]$,

$$\max\{f(x) - s\|f - g\|_\infty, g(x)\} = \max\{f(x) - t\|f - g\|_\infty, g(x)\} = g(x)$$

so $|\gamma_K(f, g, s)(x) - \gamma_K(f, g, t)(x)| = 0 \leq (t - s)\|f - g\|_\infty$.

Since x is arbitrary, we obtain $\|\gamma_K(f, g, s) - \gamma_K(f, g, t)\|_\infty \leq (t - s) \cdot \|f - g\|_\infty$.

(3) Fix an arbitrary $x \in X$. We will prove that

$$|\gamma_K(f, g, t)(x) - \gamma_K(h, g, t)(x)| \leq 2\|f - h\|_\infty.$$

Unfortunately, we have to do tedious case-by-case analysis.

(a) If $f(x) \geq g(x)$ and $h(x) \geq g(x)$, then, for $t \in [0, (f(x) - g(x))/\|f - g\|_\infty]$,

$$\gamma_K(f, g, t)(x) = f(x) - t\|f - g\|_\infty.$$

Hence,

$$\begin{aligned} \gamma_K(f, g, t)(x) - \gamma_K(h, g, t)(x) &= (f(x) - t\|f - g\|_\infty) - \max\{h(x) - t\|h - g\|_\infty, g(x)\} \\ &\leq (f(x) - t\|f - g\|_\infty) - (h(x) - t\|h - g\|_\infty) \\ &= f(x) - h(x) - t(\|f - g\|_\infty - \|h - g\|_\infty) \\ &\leq |f(x) - h(x)| + t\|\|f - g\|_\infty - \|h - g\|_\infty\| \\ &\leq 2\|f - h\|_\infty. \end{aligned}$$

Now, for $t \in [(f(x) - g(x))/\|f - g\|_\infty, 1]$, $\gamma_K(f, g, t)(x) = g(x)$. Hence,

$$\begin{aligned} \gamma_K(f, g, t)(x) - \gamma_K(h, g, t)(x) &= g(x) - \max\{h(x) - t\|h - g\|_\infty, g(x)\} \\ &\leq g(x) - g(x) = 0 \leq 2\|f - h\|_\infty. \end{aligned}$$

In a similar way, one can also obtain

$$\gamma_K(h, g, t)(x) - \gamma_K(f, g, t)(x) \leq 2\|f - h\|_\infty$$

for any $t \in [0, 1]$. Hence,

$$|\gamma_K(f, g, t)(x) - \gamma_K(h, g, t)(x)| \leq 2\|f - h\|_\infty.$$

(b) If $f(x) \leq g(x)$ and $h(x) \leq g(x)$, this case is similar to the previous one so we omit it.

(c) If $f(x) \geq g(x)$ and $h(x) \leq g(x)$, then $\gamma_K(f, g, t)(x), \gamma_K(h, g, t)(x) \in [h(x), f(x)]$. Therefore,

$$|\gamma_K(f, g, t)(x) - \gamma_K(h, g, t)(x)| \leq f(x) - h(x) \leq \|f - h\|_\infty \leq 2\|f - h\|_\infty.$$

(d) For $f(x) \leq g(x)$ and $h(x) \geq g(x)$, this is similar to the previous case.

Since x is arbitrary, we finally have

$$\|\gamma_K(f, g, t) - \gamma_K(h, g, t)\|_\infty \leq 2\|f - h\|_\infty.$$

(4) Fix an arbitrary $x \in X$. We will prove that

$$|\gamma_K(f, g, t)(x) - \gamma_K(f, h, t)(x)| \leq \|g - h\|_\infty.$$

Let's do case-by-case analysis.

(a) If $f(x) \geq g(x)$ and $f(x) \geq h(x)$, then, for $t \in [0, (f(x) - g(x))/\|f - g\|_\infty]$,

$$\gamma_K(f, g, t)(x) = f(x) - t\|f - g\|_\infty.$$

Hence,

$$\begin{aligned} \gamma_K(f, g, t)(x) - \gamma_K(f, h, t)(x) &= (f(x) - t\|f - g\|_\infty) - \max\{f(x) - t\|f - h\|_\infty, h(x)\} \\ &\leq (f(x) - t\|f - g\|_\infty) - (f(x) - t\|f - h\|_\infty) \\ &= t(\|f - h\|_\infty - \|f - g\|_\infty) \\ &\leq \|g - h\|_\infty. \end{aligned}$$

Now, for $t \in [(f(x) - g(x))/\|f - g\|_\infty, 1]$, $\gamma_K(f, g, t)(x) = g(x)$. Hence,

$$\gamma_K(f, g, t)(x) - \gamma_K(f, h, t)(x) = g(x) - \max\{f(x) - t\|f - h\|_\infty, h(x)\} \leq g(x) - h(x) \leq \|g - h\|_\infty.$$

In a similar way, one can also obtain

$$\gamma_K(f, h, t)(x) - \gamma_K(f, g, t)(x) \leq \|g - h\|_\infty$$

for any $t \in [0, 1]$. Hence,

$$|\gamma_K(f, g, t)(x) - \gamma_K(f, h, t)(x)| \leq \|g - h\|_\infty.$$

(b) For $f(x) \leq g(x)$ and $f(x) \leq h(x)$, this is similar to the previous case.

(c) If $f(x) \geq g(x)$ and $f(x) \leq h(x)$, then

$$\gamma_K(f, g, t)(x), \gamma_K(f, h, t)(x) \in [g(x), h(x)].$$

Therefore,

$$|\gamma_K(f, g, t)(x) - \gamma_K(f, h, t)(x)| \leq h(x) - g(x) \leq \|g - h\|_\infty.$$

(d) For $f(x) \leq g(x)$ and $f(x) \geq h(x)$, this is similar to the previous case.

Since x is arbitrary, we finally have

$$\|\gamma_K(f, g, t) - \gamma_K(f, h, t)\|_\infty \leq \|g - h\|_\infty.$$

(5) Fix arbitrary $x \in X$. Suppose $f(x) \geq g(x)$. Then

$$\phi(x) = \max\{f(x) - s\|f - g\|_\infty, g(x)\}, \quad \psi(x) = \max\{f(x) - t\|f - g\|_\infty, g(x)\}.$$

By property (1) of this proposition, we know $\|\phi - \psi\|_\infty = (t - s)\|f - g\|_\infty$. Moreover, since $\phi(x) \geq \psi(x)$,

$$\gamma_K(\phi, \psi, \lambda)(x) = \max\{\phi(x) - \lambda\|\phi - \psi\|_\infty, \psi(x)\}.$$

Observe that

$$\begin{aligned} \phi(x) - \lambda\|\phi - \psi\|_\infty &= \max\{f(x) - s\|f - g\|_\infty, g(x)\} - \lambda(t - s)\|f - g\|_\infty \\ &= \max\{f(x) - ((1 - \lambda)s + \lambda t)\|f - g\|_\infty, g(x) - \lambda(t - s)\|f - g\|_\infty\}. \end{aligned}$$

Since $f(x) - ((1 - \lambda)s + \lambda t)\|f - g\|_\infty \geq f(x) - t\|f - g\|_\infty$ and $g(x) \geq g(x) - \lambda(t - s)\|f - g\|_\infty$, we finally have

$$\gamma_K(\phi, \psi, \lambda)(x) = \max\{f(x) - ((1 - \lambda)s + \lambda t)\|f - g\|_\infty, g(x)\} = \gamma_K(f, g, (1 - \lambda)s + \lambda t)(x).$$

One can do a similar proof for the case when $f(x) \leq g(x)$. Hence,

$$\gamma_K(\phi, \psi, \lambda) = \gamma_K(f, g, (1 - \lambda)s + \lambda t).$$

(6) Consider the special case $s = 0$ and $t = 1$. Fix an arbitrary $x \in X$. Observe that $\gamma_K(f, g, r)(x)$ is between $f(x)$ and $g(x)$. Therefore,

$$|\gamma_K(f, g, r)(x) - h(x)| \leq \max\{|f(x) - h(x)|, |g(x) - h(x)|\} \leq \max\{\|f - h\|_\infty, \|g - h\|_\infty\}.$$

Since x is arbitrary,

$$\|\gamma_K(f, g, r) - h\|_\infty \leq \max\{\|f - h\|_\infty, \|g - h\|_\infty\} = \max\{\|\gamma_K(f, g, 0) - h\|_\infty, \|\gamma_K(f, g, 1) - h\|_\infty\}.$$

For general s and t , combine this result with property (5). □

A.2 Some properties of γ_K

Example A.1 In this example, we will see that some of the nice properties considered in [Lemma 2.20](#) do not hold for the Katz geodesic bicombing (see [Definition 9.22](#)). Consider X to be a two-point space. Then $L^\infty(X)$ can be regarded as \mathbb{R}^2 with the ℓ^∞ -norm.

(1) **Katz’s geodesic bicombing is not conical in general** We will find $f, f', g, g' \in L^\infty(X)$ and $t \in [0, 1]$ such that

$$\|\gamma_K(f, g, t) - \gamma_K(f', g', t)\|_\infty > (1 - t)\|f - f'\|_\infty + t\|g - g'\|_\infty.$$

Let $f = f' = (0, 0)$, $g = (c, d)$ for some $0 < c < d$, and $g = (c', d')$ for some $0 < c' < d'$. Then

$$\gamma_K(0, g, t) = \begin{cases} (td, td) & \text{if } t \in [0, c/d], \\ (c, td) & \text{if } t \in [c/d, 1], \end{cases}$$

and we have a similar expression for $\gamma_K(0, g', t)$. Hence, for any $t \in [\max\{c/d, c'/d'\}, 1)$,

$$\gamma_K(0, g, t) = (c, td) \quad \text{and} \quad \gamma_K(0, g', t) = (c', td').$$

Therefore, if we choose $|c - c'| > |d - d'|$ (for example, $(c, d) = (4, 5)$ and $(c', d') = (1, 5)$), then

$$\|\gamma_K(0, g, t) - \gamma_K(0, g', t)\|_\infty = |c - c'|$$

and

$$t\|g - g'\|_\infty = t|c - c'|.$$

Hence,

$$\|\gamma_K(0, g, t) - \gamma_K(0, g', t)\|_\infty > t\|g - g'\|_\infty.$$

So the Katz geodesic bicombing is not conical. In particular, this implies it is not convex.

(2) **Katz geodesic bicombing is not reversible in general** We will find $f, g \in L^\infty(X)$ and $t \in [0, 1]$ such that

$$\gamma_K(f, g, t) \neq \gamma_K(g, f, 1 - t).$$

Let $f = (0, 0)$ and $g = (c, d)$ for some $0 < c < d$ as before. Then

$$\gamma_K(0, g, t) = \begin{cases} (td, td) & \text{if } t \in [0, c/d], \\ (c, td) & \text{if } t \in [c/d, 1], \end{cases}$$

and

$$\gamma_K(g, 0, t) = \begin{cases} (c - td, (1 - t)d) & \text{if } t \in [0, c/d], \\ (0, (1 - t)d) & \text{if } t \in [c/d, 1]. \end{cases}$$

Now, if we choose $t \in (0, \min\{c/d, 1 - c/d\}]$, we have $\gamma_K(0, g, t) = (td, td)$ and $\gamma_K(g, 0, 1 - t) = (0, td)$.

Hence,

$$\gamma_K(0, g, t) \neq \gamma_K(g, 0, 1 - t).$$

A.3 Proof of the generalized functorial nerve lemma

Theorem 4.2 (generalized functorial nerve lemma) *Let X and Y be two paracompact spaces, $\rho: X \rightarrow Y$ be a continuous map, $\mathcal{U} = \{U_\alpha\}_{\alpha \in A}$ and $\mathcal{V} = \{V_\beta\}_{\beta \in B}$ be good open covers (every nonempty finite intersection is contractible) of X and Y , respectively, based on arbitrary index sets A and B , and $\pi: A \rightarrow B$ be a map such that*

$$\rho(U_\alpha) \subseteq V_{\pi(\alpha)} \quad \text{for any } \alpha \in A.$$

Let $N\mathcal{U}$ and $N\mathcal{V}$ be the nerves of \mathcal{U} and \mathcal{V} , respectively. Observe that, since $U_{\alpha_0} \cap \cdots \cap U_{\alpha_n} \neq \emptyset$ implies $V_{\pi(\alpha_0)} \cap \cdots \cap V_{\pi(\alpha_n)} \neq \emptyset$, π induces the canonical simplicial map $\bar{\pi}: N\mathcal{U} \rightarrow N\mathcal{V}$.

Then there exist homotopy equivalences $X \rightarrow N\mathcal{U}$ and $Y \rightarrow N\mathcal{V}$ that commute with ρ and $\bar{\pi}$ up to homotopy:

$$\begin{array}{ccc} X & \longrightarrow & N\mathcal{U} \\ \rho \downarrow & & \downarrow \bar{\pi} \\ Y & \longrightarrow & N\mathcal{V} \end{array}$$

Our proof of [Theorem 4.2](#) invokes many elements of [\[49, Section 4.G\]](#), which provides a proof of the classical nerve lemma.

Definition A.2 Let X be a topological space and let $\mathcal{U} = \{U_\alpha\}_{\alpha \in \Lambda}$ be an open covering of X (Λ is an arbitrary index set). For any $\sigma = \{\alpha_0, \dots, \alpha_n\} \in N\mathcal{U}$, the nonempty intersection $U_{\alpha_0} \cap \cdots \cap U_{\alpha_n}$ is denoted by U_σ . Note that, when $\sigma = \{\alpha_0, \dots, \alpha_n\} \in N\mathcal{U}$ and σ' is an n' -face of σ , there are the canonical inclusions

$$i_{\sigma\sigma'}: U_\sigma \hookrightarrow U_{\sigma'} \quad \text{and} \quad j_{\sigma\sigma'}: \Delta_{n'} \hookrightarrow \Delta_n.$$

Then, the *complex of spaces* corresponding to \mathcal{U} consists of the set of all U_σ and the set of all canonical inclusions $i_{\sigma\sigma'}$ over all possible $\sigma' \subseteq \sigma \in N\mathcal{U}$.

The *realization* of this complex of spaces, denoted by $\Delta X_{\mathcal{U}}$, is defined as

$$\Delta X_{\mathcal{U}} := \bigsqcup_{\sigma = \{\alpha_0, \dots, \alpha_n\} \in N\mathcal{U}} U_\sigma \times \Delta_n / \sim,$$

where $(x, p) \sim (x', p')$ whenever $i_{\sigma\sigma'}(x) = x'$ and $j_{\sigma\sigma'}(p') = p$.

We need the following slight improvements of [Propositions 4G.1 and 4G.2](#) of [\[49\]](#). These improved claims are actually implicit in their respective proofs; see [\[49, pages 458–459\]](#).

Proposition A.3 [\[49, Proposition 4G.1\]](#) Let X be a topological space and $\mathcal{U} = \{U_\alpha\}_{\alpha \in \Lambda}$ be a good open cover of X (every nonempty finite intersection is contractible). Then

$$f: \Delta X_{\mathcal{U}} \rightarrow N\mathcal{U}, \quad (x, p) \mapsto p \quad \text{if } (x, p) \in U_\sigma \times \Delta_n,$$

is a homotopy equivalence between $\Delta X_{\mathcal{U}}$ and $N\mathcal{U}$.

Proof First of all, since U_σ is contractible whenever $\sigma \in N\mathcal{U}$, note that there is a homotopy equivalence $\phi_\sigma: U_\sigma \rightarrow \{*\}$ for any $\sigma \in N\mathcal{U}$.

The homotopy equivalence between $\Delta X_{\mathcal{U}}$ and $N\mathcal{U}$ is just a special case of [\[49, Proposition 4G.1\]](#). The choice of f is implicit in the fact that both of $\Delta X_{\mathcal{U}}$ and $N\mathcal{U}$ are deformation retracts of $\Delta M X_{\mathcal{U}}$ where $\Delta M X_{\mathcal{U}}$ is the realization of the complex of spaces consisting of the mapping cylinders $M\phi_\sigma$ for any $\sigma \in N\mathcal{U}$ and the canonical inclusions between them. □

Proposition A.4 [49, Proposition 4G.2] *Let X be a paracompact space, $\mathcal{U} = \{U_\alpha\}_{\alpha \in \Lambda}$ be an open cover of X , and $\{\psi_\alpha\}_{\alpha \in \Lambda}$ be a partition of unity subordinate to the cover \mathcal{U} (it must exist since X is paracompact). Then*

$$g: X \rightarrow \Delta X_{\mathcal{U}}, \quad x \mapsto (x, (\psi_\alpha(x))_{\alpha \in \Lambda}),$$

is a homotopy equivalence between X and $\Delta X_{\mathcal{U}}$.

Proof The proof is the same as [49, Proposition 4G.2]. □

Lemma A.5 *Let X and Y be two topological spaces, $\rho: X \rightarrow Y$ be a continuous map, $\mathcal{U} = \{U_\alpha\}_{\alpha \in A}$ and $\mathcal{V} = \{V_\beta\}_{\beta \in B}$ be good open covers (every nonempty finite intersection is contractible) of X and Y respectively, based on arbitrary index sets A and B , and $\pi: A \rightarrow B$ be a map such that*

$$\rho(U_\alpha) \subseteq V_{\pi(\alpha)}$$

for any $\alpha \in A$.

Let $N\mathcal{U}$ and $N\mathcal{V}$ be the nerves of \mathcal{U} and \mathcal{V} , respectively. Observe that π induces the canonical simplicial map $\bar{\pi}: N\mathcal{U} \rightarrow N\mathcal{V}$ since $U_{\alpha_0} \cap \dots \cap U_{\alpha_n} \neq \emptyset$ implies $V_{\pi(\alpha_0)} \cap \dots \cap V_{\pi(\alpha_n)} \neq \emptyset$, and ρ induces the canonical map $\bar{\rho}: \Delta X_{\mathcal{U}} \rightarrow \Delta Y_{\mathcal{V}}$ mapping (x, p) to $(\rho(x), \bar{\pi}(p))$.

Then there exist homotopy equivalences $f: \Delta X_{\mathcal{U}} \rightarrow N\mathcal{U}$ and $f': \Delta Y_{\mathcal{V}} \rightarrow N\mathcal{V}$ which commute with $\bar{\rho}$ and $\bar{\pi}$:

$$\begin{array}{ccc} \Delta X_{\mathcal{U}} & \xrightarrow{f} & N\mathcal{U} \\ \bar{\rho} \downarrow & & \downarrow \bar{\pi} \\ \Delta Y_{\mathcal{V}} & \xrightarrow{f'} & N\mathcal{V} \end{array}$$

Proof By Proposition A.3,

$$f: \Delta X_{\mathcal{U}} \rightarrow N\mathcal{U}, \quad (x, p) \mapsto p \quad \text{if } (x, p) \in U_\sigma \times \Delta_n,$$

is a homotopy equivalence between $\Delta X_{\mathcal{U}}$ and $N\mathcal{U}$. Also,

$$f': \Delta Y_{\mathcal{V}} \rightarrow N\mathcal{V}, \quad (y, q) \mapsto q \quad \text{if } (y, q) \in V_\sigma \times \Delta_n,$$

is a homotopy equivalence between $\Delta Y_{\mathcal{V}}$ and $N\mathcal{V}$.

To check the commutativity of the diagram, fix an arbitrary $(x, p) \in U_\sigma \times \Delta_n \subseteq \Delta X_{\mathcal{U}}$. Then,

$$\bar{\pi} \circ f(x, p) = \bar{\pi}(p) = f'(\rho(x), \bar{\pi}(p)) = f' \circ \bar{\rho}(x, p).$$

Hence, $\bar{\pi} \circ f = f' \circ \bar{\rho}$, as we wanted. □

Lemma A.6 *Let X and Y be two paracompact spaces, $\rho: X \rightarrow Y$ be a continuous map, $\mathcal{U} = \{U_\alpha\}_{\alpha \in A}$ and $\mathcal{V} = \{V_\beta\}_{\beta \in B}$ be open covers of X and Y respectively, based on arbitrary index sets A and B , and $\pi: A \rightarrow B$ be a map such that*

$$\rho(U_\alpha) \subseteq V_{\pi(\alpha)}$$

for any $\alpha \in A$.

Let $N\mathcal{U}$ and $N\mathcal{V}$ be the nerves of \mathcal{U} and \mathcal{V} , respectively. Observe that π induces the canonical simplicial map $\bar{\pi}: N\mathcal{U} \rightarrow N\mathcal{V}$ since $U_{\alpha_0} \cap \dots \cap U_{\alpha_n} \neq \emptyset$ implies $V_{\pi(\alpha_0)} \cap \dots \cap V_{\pi(\alpha_n)} \neq \emptyset$, and ρ induces the canonical map $\bar{\rho}: \Delta X_{\mathcal{U}} \rightarrow \Delta Y_{\mathcal{V}}$ mapping (x, p) to $(\rho(x), \bar{\pi}(p))$.

Then there exist homotopy equivalences $g: X \rightarrow \Delta X_{\mathcal{U}}$ and $g': Y \rightarrow \Delta Y_{\mathcal{V}}$ which commute with ρ and $\bar{\rho}$ up to homotopy:

$$\begin{array}{ccc} X & \xrightarrow{g} & \Delta X_{\mathcal{U}} \\ \rho \downarrow & & \downarrow \bar{\rho} \\ Y & \xrightarrow{g'} & \Delta Y_{\mathcal{V}} \end{array}$$

Proof By Proposition A.4,

$$g: X \rightarrow \Delta X_{\mathcal{U}}, \quad x \mapsto (x, (\psi_{\alpha}(x))_{\alpha \in A}),$$

is a homotopy equivalence between X and $\Delta X_{\mathcal{U}}$, where $\{\psi_{\alpha}\}_{\alpha \in A}$ is a partition of unity subordinate to the cover \mathcal{U} . And,

$$g': Y \rightarrow \Delta Y_{\mathcal{V}}, \quad y \mapsto (y, (\psi'_{\beta}(y))_{\beta \in B}),$$

is a homotopy equivalence between Y and $\Delta Y_{\mathcal{V}}$ where $\{\psi'_{\beta}\}_{\beta \in B}$ is a partition of unity subordinate to the cover \mathcal{V} .

Finally, we will show that $\bar{\rho} \circ g \simeq g' \circ \rho$. Observe that, for arbitrary $x \in X$,

$$\bar{\rho} \circ g(x) = \bar{\rho}(x, (\psi_{\alpha}(x))_{\alpha \in A}) = (\rho(x), \bar{\pi}((\psi_{\alpha}(x))_{\alpha \in A}))$$

and

$$g' \circ \rho(x) = g'(\rho(x)) = (\rho(x), (\psi'_{\beta}(\rho(x)))_{\beta \in B}).$$

Hence, one can just construct a homotopy between $\bar{\rho} \circ g$ and $g' \circ \rho$ by

$$h: X \times [0, 1] \rightarrow \Delta Y_{\mathcal{V}}, \quad (x, t) \mapsto (\rho(x), (1-t)\bar{\pi}((\psi_{\alpha}(x))_{\alpha \in A}) + t(\psi'_{\beta}(\rho(x)))_{\beta \in B}).$$

Here, note that the linear interpolation between $\bar{\pi}((\psi_{\alpha}(x))_{\alpha \in A})$ and $(\psi'_{\beta}(\rho(x)))_{\beta \in B}$ is well defined since, because of the properties of partition of unity and the assumption that $\rho(U_{\alpha}) \subseteq V_{\pi(\alpha)}$,

$$\rho(x) \in \bigcap_{\alpha: \psi_{\alpha}(x) > 0} V_{\pi(\alpha)} \cap \bigcap_{\beta: \psi'_{\beta}(\rho(x)) > 0} V_{\beta},$$

so

$$\{\pi(\alpha) \in B \mid \psi_{\alpha}(x) > 0\} \cup \{\beta \in B \mid \psi'_{\beta}(\rho(x)) > 0\}$$

forms a simplex in $N\mathcal{V}$. □

Finally, one can prove the functorial nerve lemma.

Proof of Theorem 4.2 Combine Lemmas A.5 and A.6. □

A.4 Proof of $VR_r(\mathbb{S}^n) \simeq \mathbb{S}^n$ for $r \in (0, \arccos(-1/(n+1)))$

Theorem 7.1 For any $n \in \mathbb{Z}_{>0}$, we have $VR_r(\mathbb{S}^n) \simeq \mathbb{S}^n$ for any $r \in (0, \arccos(-1/(n+1)))$.

Since the case of \mathbb{S}^1 is already proved in [1], it is enough to prove the above theorem for \mathbb{S}^n with $n \geq 2$. Moreover, unlike the other parts of the paper, in this section we discriminate between the simplicial complex $\text{VR}_r(\mathbb{S}^n)$ and its realization $|\text{VR}_r(\mathbb{S}^n)|$.

To prove [Theorem 7.1](#), we will basically emulate the proof strategy of Hausmann in [50]. However, a crucial modification will be necessary, which requires the following version of Jung's theorem:

Definition A.7 Given a nonempty subset $A \subset \mathbb{S}^n$, its *geodesic convex hull* $\text{conv}_{\mathbb{S}^n}(A)$ is defined to be the set consisting of the union of all minimizing geodesics between pairs of points in A . It is clear that when A is contained in an open hemisphere, $\text{conv}_{\mathbb{S}^n}(A) = \{\Pi_{\mathbb{S}^n}(c) \mid c \in \text{conv}(A)\}$ where $\Pi_{\mathbb{S}^n}(p) := p/\|p\|$ for $p \neq 0$ and $\Pi_{\mathbb{S}^n}(p) := 0$ otherwise.

Theorem A.8 (a version of Jung's theorem for spheres) *For any $n \geq 1$, if $A \subset \mathbb{S}^n$ satisfies $D := \text{diam}(A) < \arccos(-1/(n+1))$, then there must be $u \in \text{conv}_{\mathbb{S}^n}(A)$ such that $A \subseteq \bar{B}_{\psi(D)}(u, \mathbb{S}^n)$, where*

$$\psi: \left[0, \arccos\left(-\frac{1}{n+1}\right)\right] \rightarrow \mathbb{R}_{\geq 0}, \quad D \mapsto \arccos\left(\sqrt{\frac{1+(n+1)\cos D}{n+2}}\right).$$

The version of Jung's theorem stated above is different from the one considered by Katz [54, Lemma 2] in the following two senses:

- (1) We provide a precise formula for the radius $\psi(D)$ of the closed ball covering A , depending on $D = \text{diam}(A)$. In particular, our version is stronger when D is small.
- (2) On the contrary, if D is large (close to $\arccos(-1/(n+1))$), then the radius $\psi(D)$ can be as large as $\frac{\pi}{2}$. But $\frac{\pi}{2}$ is strictly greater number than $\pi - \arccos(-1/(n+1))$ which is the radius guaranteed by Katz's version. So, for the case when D is large, Katz's version is stronger.

The proof of our version is somewhat similar to the classical proof in [37].

Remark A.9 The map ψ satisfies:

- (1) $\psi(D) \leq \frac{\pi}{2}$ for any $D \in [0, \arccos(-1/(n+1))]$.
- (2) ψ is an increasing function.
- (3) $\lim_{D \rightarrow 0^+} \psi(D) = 0$.

Proof of Theorem A.8 Without loss of generality, one can assume A is compact. Recall that one can view \mathbb{S}^n as a subset of \mathbb{R}^{n+1} ,

$$\mathbb{S}^n = \{(x_1, \dots, x_{n+1}) \in \mathbb{R}^{n+1} \mid x_1^2 + \dots + x_{n+1}^2 = 1\}.$$

Also, for any $x, y \in \mathbb{S}^n$, the Euclidean norm $\|x - y\|$ and the geodesic distance $d_{\mathbb{S}^n}(x, y)$ satisfy

$$\|x - y\| = \sqrt{2 - 2\cos(d_{\mathbb{S}^n}(x, y))}.$$

Now, if we apply [37, Lemma 2.10.40] with $P := A \times \{1\}$, there are $p \in \mathbb{R}^{n+1}$ and $c \geq 0$ such that

- (1) for all $a \in A$, $\|a - p\| \leq c$;
- (2) p belongs to the convex hull of $\{a \in A \mid \|a - p\| = c\}$.

Therefore, there are nonnegative numbers $\lambda_1, \dots, \lambda_{n+2}$ and $a_1, \dots, a_{n+2} \in \{a \in A \mid \|a - p\| = c\}$ such that

- (1) $p = \sum_{i=1}^{n+2} \lambda_i a_i$;
- (2) $1 = \sum_{i=1}^{n+2} \lambda_i$.

Hence, one can easily check $\|p\| \leq 1$. Also, since

$$\|a_i - a_j\| = \sqrt{2 - 2 \cos(d_{\mathbb{S}^n}(x, y))} \leq \sqrt{2 - 2 \cos D} < \sqrt{2 + \frac{2}{n+1}},$$

$p \neq 0$ by [32, Lemma 1]. Furthermore, for each $j \in \{1, \dots, n+2\}$,

$$\begin{aligned} 2c^2 &= \sum_{i=1}^{n+2} \lambda_i (2c^2 - 2\langle (a_i - p), (a_j - p) \rangle) \\ &= \sum_{i=1}^{n+2} \lambda_i \|(a_i - p) - (a_j - p)\|^2 \\ &= \sum_{i=1}^{n+2} \lambda_i \|a_i - a_j\|^2 \\ &\leq \sum_{i \neq j} \lambda_i (2 - 2 \cos D) \\ &= (1 - \lambda_j)(2 - 2 \cos D). \end{aligned}$$

So, by summation with respect to j , we have $2(n+2)c^2 \leq (n+1)(2 - 2 \cos D)$. Therefore,

$$c \leq \sqrt{\frac{(n+1)(1 - \cos D)}{n+2}} < 1.$$

Finally, let $u := p/\|p\|$. Then, $u \in \text{conv}_{\mathbb{S}^n}(A)$ since $p \in \text{conv}(A)$. Also, one can check that

$$\|a - u\| \leq \sqrt{2 - 2\sqrt{1 - c^2}} \leq \sqrt{2 - 2\sqrt{\frac{1 + (n+1) \cos D}{n+2}}}$$

for all $a \in A$. This implies

$$d_{\mathbb{S}^n}(a, u) \leq \arccos\left(\sqrt{\frac{1 + (n+1) \cos D}{n+2}}\right) = \psi(D)$$

for any $a \in A$. □

A.4.1 The proof of Theorem 7.1 Choose a total ordering on the points of \mathbb{S}^n . From now on, whenever we describe a finite subset of \mathbb{S}^n by $\{x_0, \dots, x_q\}$, we suppose that $x_0 < x_1 < \dots < x_q$. Let r be in the interval $(0, \arccos(-1/(n + 1))]$. We shall associate to each q -simplex $\sigma := \{x_0, \dots, x_q\} \in \text{VR}_r(\mathbb{S}^n)$ a singular q -simplex $T_\sigma : \Delta_q \rightarrow \mathbb{S}^n$. Recall that the standard Euclidean q -simplex Δ_q is defined as

$$\Delta_q := \left\{ \sum_{i=0}^q t_i e_i \mid t_i \in [0, 1] \text{ and } \sum_{i=0}^q t_i = 1 \right\}.$$

This map T_σ is defined inductively as follows: Set $T(e_0) = x_0$. Suppose that $T_\sigma(z)$ is defined for $y = \sum_{i=0}^{p-1} s_i e_i$. Let $z := \sum_{i=0}^p t_i e_i$. If $t_p = 1$, we pose $T_\sigma(z) = x_p$. Otherwise, let

$$x := T_\sigma \left(\frac{1}{1-t_p} \sum_{i=0}^{p-1} t_i e_i \right).$$

We define $T_\sigma(z)$ as the point on the unique shortest geodesic joining x to x_p with

$$d_{\mathbb{S}^n}(x, T_\sigma(z)) = t_p \cdot d_{\mathbb{S}^n}(x, x_p)$$

(the unique shortest geodesic exists since $\text{conv}_{\mathbb{S}^n}(\{x_0, \dots, x_q\})$ must be contained in some open ball of radius smaller than $\frac{\pi}{2}$ by Theorem A.8). To sum up, T_σ is defined inductively on Δ_p for $p \leq q$ as the geodesic join of $T_\sigma(\Delta_{p-1})$ with x_p .

If σ' is a face of σ of dimension p , we form the euclidean sub- p -simplex Δ' of Δ_q formed by the points $\sum_{i=0}^q t_i e_i \in \Delta_q$ with $t_i = 0$ if $x_i \notin \sigma'$. One can check by induction on $\dim \sigma'$ that

$$(8) \quad T_{\sigma'} = T_\sigma|_{\Delta'}.$$

By (8), the correspondence $\sigma \mapsto T_\sigma$ gives rise to a continuous map

$$T : |\text{VR}_r(\mathbb{S}^n)| \rightarrow \mathbb{S}^n.$$

Here is a quick overview of how we will prove Theorem 7.1. Through Lemmas A.10 (which enables the application of Hausmann’s “crushings” on sufficiently small subsets of spheres), A.11 and A.12, we will prove that T induces an isomorphism at homology level. Also, by Lemma A.13, we will prove that T also induces an isomorphism at the level of fundamental groups. Finally, the proof of Theorem 7.1 will follow by invoking the homology Whitehead theorem.

Lemma A.10 *Let $x \in \mathbb{S}^n$ and $y, z \in B_{\pi/2}(x, \mathbb{S}^n)$. Let $\gamma_y : [0, 1] \rightarrow \mathbb{S}^n$ and $\gamma_z : [0, 1] \rightarrow \mathbb{S}^n$ be the unique shortest geodesics from x to y and x to z . Then*

$$d_{\mathbb{S}^n}(\gamma_y(s), \gamma_z(s)) \leq d_{\mathbb{S}^n}(\gamma_y(t), \gamma_z(t))$$

for any $0 \leq s \leq t \leq 1$.

Proof Let $d_{\mathbb{S}^n}(x, y) = a$ and $d_{\mathbb{S}^n}(x, z) = b$. Without loss of generality, one can assume $a \geq b$. By the spherical law of cosine, one can compute

$$\cos(d_{\mathbb{S}^n}(\gamma_y(t), \gamma_z(t))) = \cos(ta) \cos(tb) + \sin(ta) \sin(tb) \cos \theta$$

for any $t \in [0, 1]$, where θ is the angle between γ_y and γ_z at x .

Now, consider the map

$$f : [0, 1] \rightarrow \mathbb{R}_{\geq 0}, \quad t \mapsto \cos(ta) \cos(tb) + \sin(ta) \sin(tb) \cos \theta.$$

To complete the proof, it is enough to show this f is nonincreasing. Observe that

$$\begin{aligned} f'(t) &= -a \sin(ta) \cos(tb) - b \cos(ta) \sin(tb) + a \cos(ta) \sin(tb) \cos \theta + b \sin(ta) \cos(tb) \cos \theta \\ &\leq -a \sin(ta) \cos(tb) - b \cos(ta) \sin(tb) + a \cos(ta) \sin(tb) + b \sin(ta) \cos(tb) \\ &\quad - (a - b) \sin(ta) \cos(tb) + (a - b) \cos(ta) \sin(tb) \\ &= -(a - b) \sin(t(a - b)) \\ &\leq 0. \end{aligned}$$

Hence, f is nonincreasing. □

The following lemma is an analogue of [50, Proposition 3.3]:

Lemma A.11 *Let $0 < r' \leq r \leq \arccos(-1/(n + 1))$. Then the canonical inclusion $\text{VR}_{r'}(\mathbb{S}^n) \subset \text{VR}_r(\mathbb{S}^n)$ induces an isomorphism on homology.*

Proof Let $\sigma = \{x_0, \dots, x_q\}$ be a simplex of $\text{VR}_r(\mathbb{S}^n)$ and let I_σ be the image of T_σ . If σ' is a face of σ then $I_{\sigma'} \subseteq I_\sigma$, and thus $\text{VR}_\delta(I_{\sigma'})$ is a subcomplex of $\text{VR}_\delta(I_\sigma)$ for all $\delta > 0$. On the other hand, $\text{VR}_\delta(I_\sigma)$ is acyclic for all $\delta > 0$. Indeed, by Theorem A.8, there exists $u \in I_\sigma$ such that $I_\sigma \subset B_{\pi/2}(u, \mathbb{S}^n)$. So, one can consider the obvious crushing from I_σ to $\{x\}$ via the shortest geodesics. So, $\text{VR}_\delta(I_\sigma)$ must be contractible by Lemma A.10 and [50, Corollary 2.3]. These considerations show that for $0 < \delta' \leq \delta \leq \arccos(-1/(n + 1))$, the correspondence

$$\sigma \mapsto \text{VR}_{\delta'}(I_\sigma)$$

is an acyclic carrier $\Phi_{\delta, \delta'}$ from $\text{VR}_\delta(\mathbb{S}^n)$ to $\text{VR}_{\delta'}(\mathbb{S}^n)$ (see [68, Section 13]).

We now use the acyclic carrier theorem [68, Theorem 13.3]. This implies that there exists an augmentation preserving chain map $\nu : C_*(\text{VR}_r(\mathbb{S}^n)) \rightarrow C_*(\text{VR}_{r'}(\mathbb{S}^n))$ which is carried by $\Phi_{r, r'}$. Let μ denote the canonical inclusion from $\text{VR}_{r'}(\mathbb{S}^n)$ into $\text{VR}_r(\mathbb{S}^n)$. Then $\phi_{r', r'}$ is an acyclic carrier for both $\nu \circ \mu_*$ and the identity of $C_*(\text{VR}_{r'}(\mathbb{S}^n))$. By the acyclic carrier theorem again, these two maps are chain homotopic and thus $\nu \circ \mu_*$ induces the identity on $H_*(\text{VR}_{r'}(\mathbb{S}^n))$. The same argument shows that $\mu_* \circ \nu$ induces the identity on $H_*(\text{VR}_r(\mathbb{S}^n))$ (using the acyclic carrier $\Phi_{r, r}$). □

We will now compare the simplicial homology of $\text{VR}_r(\mathbb{S}^n)$ with the singular homology of M . Formula (8) shows that the correspondence $\sigma \mapsto T_\sigma$ gives rise to a chain map

$$T_\#^r : C_*(\text{VR}_r(\mathbb{S}^n)) \rightarrow \text{SC}_*(\mathbb{S}^n),$$

where $\text{SC}_*(\mathbb{S}^n)$ denotes the singular chain complex of \mathbb{S}^n .

The following lemma is an analogue of [50, Proposition 3.4]:

Lemma A.12 *If $0 < r \leq \arccos(-1/(n+1))$ then the chain map $T_\#^r$ induces an isomorphism on homology.*

Proof We shall need a few accessory chain complexes. For $\delta > 0$, denote by $\text{SC}_*(\mathbb{S}^n; \delta)$ the subchain complexes of $\text{SC}_*(\mathbb{S}^n)$ based on singular simplexes τ such that there exists $u \in \mathbb{S}^n$ with the image of τ contained in the open ball $B_\delta(u, \mathbb{S}^n)$. Recall that the inclusion $\text{SC}_*(\mathbb{S}^n; \delta) \hookrightarrow \text{SC}_*(\mathbb{S}^n)$ induces an isomorphism on homology [50, Theorem 31.5].

We shall also use the ordered chain complex $C'_*(\text{VR}_r(\mathbb{S}^n))$. the group $C'_q(\text{VR}_r(\mathbb{S}^n))$ is free abelian group on $(q+1)$ -tuples (x_0, \dots, x_q) such that $\{x_0\} \cup \dots \cup \{x_q\}$ is a simplex of $\text{VR}_r(\mathbb{S}^n)$. One can view that $C_*(\text{VR}_r(\mathbb{S}^n))$ as a subchain complex of $C'_*(\text{VR}_r(\mathbb{S}^n))$ by associating a q -simplex $\{x_0, \dots, x_q\}$ of $\text{VR}_r(\mathbb{S}^n)$ (with our convention that $x_0 < x_1 < \dots < x_q$ for the well-ordering on \mathbb{S}^n) the $(q+1)$ -tuple (x_0, \dots, x_q) . It is also classical that this inclusion is homology isomorphism [50, Theorem 3.6]. Observe that the construction $\sigma \mapsto T_\sigma$ does not require that the vertices of σ are all distinct. One can then define T_σ for a basis element of $C'_*(\text{VR}_r(\mathbb{S}^n))$ and thus extend to a chain map $T_\#^r : C'_*(\text{VR}_r(\mathbb{S}^n)) \rightarrow \text{SC}_*(\mathbb{S}^n; \psi(r))$. Now, choose $r' < r$ such that $\psi(r') \leq \frac{1}{2}r$. One then has the commutative diagram

$$\begin{CD} C'_*(\text{VR}_{r'}(\mathbb{S}^n)) @>T_\#^{r'}>> \text{SC}_*(\mathbb{S}^n; \psi(r')) \\ @VVV @VVV \\ C'_*(\text{VR}_r(\mathbb{S}^n)) @>T_\#^r>> \text{SC}_*(\mathbb{S}^n; \psi(r)) \end{CD}$$

Let $\tau : \Delta_q \rightarrow \mathbb{S}^n$ be a singular simplex whose image is contained in some open ball of radius $\psi(r')$. The $(q+1)$ -tuple $(\tau(e_0), \dots, \tau(e_q))$ is element of $C'_q(\text{VR}_r(\mathbb{S}^n))$. This correspondence gives rise to a chain map

$$R : \text{SC}_*(\mathbb{S}^n; \psi(r')) \rightarrow C'_*(\text{VR}_r(\mathbb{S}^n)).$$

The composition $R \circ T_\#^{r'}$ is equal to the canonical inclusion $C'_*(\text{VR}_{r'}(\mathbb{S}^n)) \subset C'_*(\text{VR}_r(\mathbb{S}^n))$ which induces a homotopy isomorphism by Lemma A.11. Let us now understand the composition

$$T_\#^r \circ R : \text{SC}_*(\mathbb{S}^n; \psi(r')) \rightarrow \text{SC}_*(\mathbb{S}^n; \psi(r)).$$

Let $\tau : \Delta_q \rightarrow \mathbb{S}^n$ be a singular simplex such that $\tau(\Delta_q) \subset B_{\psi(r')}(y, \mathbb{S}^n)$ for some $y \in \mathbb{S}^n$. Therefore, $\tau' := T_\#^r \circ R(\tau)$ also satisfies $\tau'(\Delta_q) \subset B_{\psi(r')}(y, \mathbb{S}^n)$ since $\psi(r') < \frac{\pi}{2}$. Hence, τ and τ' are canonically homotopic (following, for each $s \in \Delta_q$, the shortest geodesic joining $\tau(s)$ to $\tau'(s)$). As in the proof of

the homotopy axiom for singular homology [50, Section 30], these provide a chain homotopy between $T_{\#}^r \circ R$ and the inclusion $SC_*(\mathbb{S}^n; \psi(r')) \subset SC_*(\mathbb{S}^n; \psi(r))$. As said before, this inclusion is known to induce a homology isomorphism. Therefore, $T_{\#}^r \circ R$ induces an isomorphism on homology.

We have shown that both $R \circ T_{\#}^{r'}$ and $T_{\#}^r \circ R$ induce homology isomorphisms. Therefore, $T_{\#}^r$ induces a morphism both injective and surjective, hence a homology isomorphism. \square

Lemma A.13 *If $0 < r \leq \arccos(-1/(n + 1))$, the map*

$$T : |\text{VR}_r(\mathbb{S}^n)| \rightarrow \mathbb{S}^n$$

induces an isomorphism on the fundamental groups.

Proof Let $\gamma : [0, 1] \rightarrow \mathbb{S}^n$ represent an element of $\pi_1(\mathbb{S}^n)$. Choose large enough positive integer N such that $1/N$ is smaller than the Lebesgue number for the covering $\{\gamma^{-1}(B_{r/2}(x, \mathbb{S}^n))\}_{x \in \mathbb{S}^n}$. Then $d_{\mathbb{S}^n}(\gamma(k/N), \gamma((k + 1)/N)) < r$ for any $k = 0, \dots, N - 1$. Hence the path $\gamma|_{[(k/N), ((k+1)/N)]}$ is then canonically homotopic to a parametrization of the shortest geodesic joining $\gamma(k/N)$ to $\gamma((k + 1)/N)$. This shows that γ is homotopic to a composition γ' of geodesics in open balls of radius $\frac{1}{2}r$. Such a path γ' represents the image of T of an element of $\pi_1(|\text{VR}_r(\mathbb{S}^n)|)$, the latter being identified with the edge-path group of the simplicial complex $\text{VR}_r(\mathbb{S}^n)$ [78, pages 134–139]. Thus, $\pi_1 T : \pi_1(|\text{VR}_r(\mathbb{S}^n)|) \rightarrow \pi_1(\mathbb{S}^n)$ is surjective.

Now, to prove injectivity, suppose $\pi_1 T([\alpha]) = 0$ where $\alpha : [0, 1] \rightarrow |\text{VR}_r(\mathbb{S}^n)|$ is a continuous map satisfying $\alpha(0) = \alpha(1)$. Moreover, again by [78, pages 134–139], one can assume α is induced by an edge-path of $\text{VR}_r(\mathbb{S}^n)$. In other words, there is a positive integer N , and $x_0, \dots, x_{N-1}, x_N = x_0 \in \mathbb{S}^n$ such that $d_{\mathbb{S}^n}(x_i, x_{i+1}) < r$ and $\alpha(i/N) = x_i$ for $i = 0, \dots, N - 1$ (here, we view x_i as a 0–simplex). Next, by the assumption, $[T \circ \alpha] = \pi_1 T([\alpha]) = 0$. This implies that there is a homotopy map

$$H : [0, 1] \times [0, 1] \rightarrow \mathbb{S}^n$$

such that $H(t, 1) = T \circ \alpha(t)$ and $H(t, 0) = H(0, s) = H(1, s) = x_0$ for any $t, s \in [0, 1]$. Next, choose a large enough positive integer N' such that if we triangulate $[0, 1] \times [0, 1]$ with vertices $(k/N', l/N')$ for $k, l = 0, \dots, N'$, each triangle is contained in one of $\{H^{-1}(B_{r/2}(x, \mathbb{S}^n))\}_{x \in \mathbb{S}^n}$. Then

$$d_{\mathbb{S}^n}(H(k/N', l/N'), H(k'/N', l'/N')) < r$$

whenever $((k/N', l/N'), (k'/N', l'/N'))$ is an edge of the triangulation. Because of this observation, one can prove that the edge path $H(0, 1), H(1/N', 1), \dots, H((N' - 1)/N', 1), H(1, 1)$ is equivalent to x_0 . Also, it is easy to check that two edge paths $H(0, 1), H(1/N', 1), \dots, H((N' - 1)/N', 1), H(1, 1)$ and $x_0, x_1, \dots, x_{N-1}, x_N$ are equivalent. This means that $[\alpha] = 0$. So $\pi_1 T$ is injective. \square

We are now in position to prove [Theorem 7.1](#).

Proof of Theorem 7.1 As mentioned in the beginning of this section, one can assume $n \geq 2$. Hence, S^n is simply connected. Therefore, by Lemma A.13, $|\mathrm{VR}_r(S^n)|$ is also simply connected. Also, by Lemma A.12 and the isomorphism between simplicial and singular homology [68, Section 34], T induces an isomorphism on homology. Therefore, T is a homotopy equivalence by [49, Corollary 4.33]. \square

References

- [1] M Adamaszek, H Adams, *The Vietoris–Rips complexes of a circle*, Pacific J. Math. 290 (2017) 1–40 MR Zbl
- [2] M Adamaszek, H Adams, F Frick, *Metric reconstruction via optimal transport*, SIAM J. Appl. Algebra Geom. 2 (2018) 597–619 MR Zbl
- [3] M Adamaszek, H Adams, E Gasparovic, M Gommel, E Purvine, R Sazdanovic, B Wang, Y Wang, L Ziegelmeier, *Vietoris–Rips and Čech complexes of metric gluings*, from “34th international symposium on computational geometry” (B Speckmann, CD Tóth, editors), Leibniz Int. Proc. Inform. 99, Schloss Dagstuhl. Leibniz-Zent. Inform., Wadern (2018) art. id. 3 MR Zbl
- [4] M Adamaszek, H Adams, S Reddy, *On Vietoris–Rips complexes of ellipses*, J. Topol. Anal. 11 (2019) 661–690 MR Zbl
- [5] H Adams, J Bush, J Mirth, *Operations on metric thickenings*, from “Proceedings of the 3rd annual international applied category theory conference 2020” (D I Spivak, J Vicary, editors), Electron. Proc. Theor. Comput. Sci. 333, EPTCS (2021) 261–275 MR Zbl
- [6] H Adams, B Coskunuzer, *Geometric approaches to persistent homology*, SIAM J. Appl. Algebra Geom. 6 (2022) 685–710 MR Zbl
- [7] H Adams, F Mémoli, M Moy, Q Wang, *The persistent topology of optimal transport based metric thickenings*, preprint (2021) arXiv 2109.15061
- [8] N Aronszajn, P Panitchpakdi, *Extension of uniformly continuous transformations and hyperconvex metric spaces*, Pacific J. Math. 6 (1956) 405–439 MR Zbl
- [9] S Awodey, *Category theory*, 2nd edition, Oxford Logic Guides 52, Oxford Univ. Press (2010) MR Zbl
- [10] G Azumaya, *Corrections and supplementaries to my paper concerning Krull–Remak–Schmidt’s theorem*, Nagoya Math. J. 1 (1950) 117–124 MR Zbl Correction to “On generalized semi-primary rings and Krull–Remak–Schmidt’s theorem”, Jpn. J. Math. 19 (1948) 525–547
- [11] U Bauer, *Ripser*, C++ code (2015) Available at <https://github.com/Ripser/ripser>
- [12] U Bauer, M Lesnick, *Induced matchings of barcodes and the algebraic stability of persistence*, from “Computational geometry” (S-W Cheng, O Devillers, editors), ACM, New York (2014) 355–364 MR Zbl
- [13] A Blumberg, M Lesnick, *Universality of the homotopy interleaving distance*, Trans. Amer. Math. Soc. 376 (2023) 8269–8307 MR Zbl
- [14] M Bonk, O Schramm, *Embeddings of Gromov hyperbolic spaces*, Geom. Funct. Anal. 10 (2000) 266–306 MR Zbl
- [15] D Burago, Y Burago, S Ivanov, *A course in metric geometry*, Graduate Studies in Math. 33, Amer. Math. Soc., Providence, RI (2001) MR Zbl
- [16] G Carlsson, *Topology and data*, Bull. Amer. Math. Soc. 46 (2009) 255–308 MR Zbl

- [17] **G Carlsson, V de Silva**, *Zigzag persistence*, *Found. Comput. Math.* 10 (2010) 367–405 [MR](#) [Zbl](#)
- [18] **G Chaparro Sumalave**, *Vietoris–Rips complexes of the circle and the torus*, master’s thesis, Universidad de los Andes (2016)
- [19] **F Chazal, D Cohen-Steiner, L J Guibas, F Mémoli, S Y Oudot**, *Gromov–Hausdorff stable signatures for shapes using persistence*, *Computer Graphics Forum* 28 (2009) 1393–1403
- [20] **F Chazal, W Crawley-Boevey, V de Silva**, *The observable structure of persistence modules*, *Homology Homotopy Appl.* 18 (2016) 247–265 [MR](#) [Zbl](#)
- [21] **F Chazal, S Y Oudot**, *Towards persistence-based reconstruction in Euclidean spaces*, from “Computational geometry” (M Teillaud, editor), ACM, New York (2008) 232–241 [MR](#) [Zbl](#)
- [22] **F Chazal, V de Silva, M Glisse, S Oudot**, *The structure and stability of persistence modules*, Springer (2016) [MR](#) [Zbl](#)
- [23] **F Chazal, V de Silva, S Oudot**, *Persistence stability for geometric complexes*, *Geom. Dedicata* 173 (2014) 193–214 [MR](#) [Zbl](#)
- [24] **S Chowdhury, F Mémoli**, *A functorial Dowker theorem and persistent homology of asymmetric networks*, *J. Appl. Comput. Topol.* 2 (2018) 115–175 [MR](#) [Zbl](#)
- [25] **W Crawley-Boevey**, *Decomposition of pointwise finite-dimensional persistence modules*, *J. Algebra Appl.* 14 (2015) art. id. 1550066 [MR](#) [Zbl](#)
- [26] **J Curry**, *The fiber of the persistence map for functions on the interval*, *J. Appl. Comput. Topol.* 2 (2018) 301–321 [MR](#) [Zbl](#)
- [27] **C J A Delfinado, H Edelsbrunner**, *An incremental algorithm for Betti numbers of simplicial complexes on the 3–sphere*, *Comput. Aided Geom. Design* 12 (1995) 771–784 [MR](#) [Zbl](#)
- [28] **T K Dey, F Mémoli, Y Wang**, *Topological analysis of nerves, Reeb spaces, mappers, and multiscale mappers*, from “33rd international symposium on computational geometry” (B Aronov, M J Katz, editors), Leibniz Int. Proc. Inform. 77, Schloss Dagstuhl. Leibniz-Zent. Inform., Wadern (2017) art. no. 36 [MR](#) [Zbl](#)
- [29] **T tom Dieck**, *Partitions of unity in homotopy theory*, *Compositio Math.* 23 (1971) 159–167 [MR](#) [Zbl](#)
- [30] **A W M Dress**, *Trees, tight extensions of metric spaces, and the cohomological dimension of certain groups: a note on combinatorial properties of metric spaces*, *Adv. in Math.* 53 (1984) 321–402 [MR](#) [Zbl](#)
- [31] **A Dress, K T Huber, J Koolen, V Moulton, A Spillner**, *Basic phylogenetic combinatorics*, Cambridge Univ. Press (2012) [MR](#) [Zbl](#)
- [32] **L E Dubins, G Schwarz**, *Equidiscontinuity of Borsuk–Ulam functions*, *Pacific J. Math.* 95 (1981) 51–59 [MR](#) [Zbl](#)
- [33] **J Dugundji**, *Absolute neighborhood retracts and local connectedness in arbitrary metric spaces*, *Compositio Math.* 13 (1958) 229–246 [MR](#) [Zbl](#)
- [34] **H Edelsbrunner, J Harer**, *Persistent homology: a survey*, from “Surveys on discrete and computational geometry” (J E Goodman, J Pach, R Pollack, editors), *Contemp. Math.* 453, Amer. Math. Soc., Providence, RI (2008) 257–282 [MR](#) [Zbl](#)
- [35] **H Edelsbrunner, J L Harer**, *Computational topology: an introduction*, Amer. Math. Soc., Providence, RI (2010) [MR](#) [Zbl](#)
- [36] **H Edelsbrunner, D Letscher, A Zomorodian**, *Topological persistence and simplification*, *Discrete Comput. Geom.* 28 (2002) 511–533 [MR](#) [Zbl](#)

- [37] **H Federer**, *Geometric measure theory*, Grundle. Math. Wissen. 153, Springer (1969) [MR](#) [Zbl](#)
- [38] **A Fomenko, D Fuchs**, *Homotopical topology*, 2nd edition, Graduate Texts in Math. 273, Springer (2016) [MR](#) [Zbl](#)
- [39] **P Frosini**, *A distance for similarity classes of submanifolds of a Euclidean space*, Bull. Austral. Math. Soc. 42 (1990) 407–416 [MR](#) [Zbl](#)
- [40] **P Frosini**, *Measuring shapes by size functions*, from “Intelligent robots and computer vision, X: Algorithms and techniques” (D P Casasent, editor), SPIE Proceedings 1607, SPIE (1992) 122–133
- [41] **P Frosini, C Landi**, *Size functions and morphological transformations*, Acta Appl. Math. 49 (1997) 85–104 [MR](#) [Zbl](#)
- [42] **H Gakhar, J A Perea**, *Künneth formulae in persistent homology*, preprint (2019) [arXiv 1910.05656](#)
- [43] **M Gameiro, Y Hiraoka, I Obayashi**, *Continuation of point clouds via persistence diagrams*, Phys. D 334 (2016) 118–132 [MR](#) [Zbl](#)
- [44] **E Gasparovic, M Gommel, E Purvine, R Sazdanovic, B Wang, Y Wang, L Ziegelmeier**, *A complete characterization of the one-dimensional intrinsic Čech persistence diagrams for metric graphs*, from “Research in computational topology” (E W Chambers, B T Fasy, L Ziegelmeier, editors), Assoc. Women Math. Ser. 13, Springer (2018) 33–56 [MR](#) [Zbl](#)
- [45] **R Ghrist, A Muhammad**, *Coverage and hole-detection in sensor networks via homology*, from “Fourth international symposium on information processing in sensor networks” (A Savvides, editor), IEEE (2005) 254–260
- [46] **M Gromov**, *Filling Riemannian manifolds*, J. Differential Geom. 18 (1983) 1–147 [MR](#) [Zbl](#)
- [47] **M Gromov**, *Hyperbolic groups*, from “Essays in group theory” (S M Gersten, editor), Math. Sci. Res. Inst. Publ. 8, Springer (1987) 75–263 [MR](#) [Zbl](#)
- [48] **M Gromov**, *Metric structures for Riemannian and non-Riemannian spaces*, Birkhäuser, Boston, MA (2007) [MR](#) [Zbl](#)
- [49] **A Hatcher**, *Algebraic topology*, Cambridge Univ. Press (2002) [MR](#) [Zbl](#)
- [50] **J-C Hausmann**, *On the Vietoris–Rips complexes and a cohomology theory for metric spaces*, from “Prospects in topology” (F Quinn, editor), Ann. of Math. Stud. 138, Princeton Univ. Press (1995) 175–188 [MR](#) [Zbl](#)
- [51] **S-T Hu**, *Theory of retracts*, Wayne State Univ. Press, Detroit, MI (1965) [MR](#) [Zbl](#)
- [52] **J R Isbell**, *Six theorems about injective metric spaces*, Comment. Math. Helv. 39 (1964) 65–76 [MR](#) [Zbl](#)
- [53] **P Joharinad, J Jost**, *Topological representation of the geometry of metric spaces*, preprint (2020) [arXiv 2001.10262](#)
- [54] **M Katz**, *The filling radius of two-point homogeneous spaces*, J. Differential Geom. 18 (1983) 505–511 [MR](#) [Zbl](#)
- [55] **M Katz**, *Diameter-extremal subsets of spheres*, Discrete Comput. Geom. 4 (1989) 117–137 [MR](#) [Zbl](#)
- [56] **M Katz**, *On neighborhoods of the Kuratowski imbedding beyond the first extremum of the diameter functional*, Fund. Math. 137 (1991) 161–175 [MR](#) [Zbl](#)
- [57] **M Katz**, *The rational filling radius of complex projective space*, Topology Appl. 42 (1991) 201–215 [MR](#) [Zbl](#)

- [58] **M G Katz**, *Systolic geometry and topology*, Mathematical Surveys and Monographs 137, Amer. Math. Soc., Providence, RI (2007) [MR](#) [Zbl](#)
- [59] **M Kılıç, Ş Koçak**, *Tight span of subsets of the plane with the maximum metric*, *Adv. Math.* 301 (2016) 693–710 [MR](#) [Zbl](#)
- [60] **U Lang**, *Injective hulls of certain discrete metric spaces and groups*, *J. Topol. Anal.* 5 (2013) 297–331 [MR](#) [Zbl](#)
- [61] **M Lesnick**, *The theory of the interleaving distance on multidimensional persistence modules*, *Found. Comput. Math.* 15 (2015) 613–650 [MR](#) [Zbl](#)
- [62] **S Lim, F Mémoli, O B Okutan**, *Vietoris–Rips persistent homology, injective metric spaces, and the filling radius*, preprint (2020) [arXiv 2001.07588](#)
- [63] **S Lim, F Mémoli, Z Smith**, *The Gromov–Hausdorff distance between spheres*, *Geom. Topol.* 27 (2023) 3733–3800 [MR](#) [Zbl](#)
- [64] **L Liu**, *The mapping properties of filling radius and packing radius and their applications*, *Differential Geom. Appl.* 22 (2005) 69–79 [MR](#) [Zbl](#)
- [65] **F Mémoli**, *A distance between filtered spaces via tripods*, preprint (2017) [arXiv 1704.03965](#)
- [66] **F Mémoli, O B Okutan**, *Quantitative simplification of filtered simplicial complexes*, *Discrete Comput. Geom.* 65 (2021) 554–583 [MR](#) [Zbl](#)
- [67] **F Mémoli, O B Okutan, Q Wang**, *Metric graph approximations of geodesic spaces*, preprint (2018) [arXiv 1809.05566](#)
- [68] **J R Munkres**, *Elements of algebraic topology*, Addison-Wesley, Menlo Park, CA (1984) [MR](#) [Zbl](#)
- [69] **A Nabutovsky**, *Linear bounds for constants in Gromov’s systolic inequality and related results*, *Geom. Topol.* 26 (2022) 3123–3142 [MR](#) [Zbl](#)
- [70] **P Niyogi, S Smale, S Weinberger**, *Finding the homology of submanifolds with high confidence from random samples*, *Discrete Comput. Geom.* 39 (2008) 419–441 [MR](#) [Zbl](#)
- [71] **J A Perea**, *Persistent homology of toroidal sliding window embeddings*, from “2016 IEEE international conference on acoustics, speech and signal processing” (M Dong, T F Zheng, editors), IEEE (2016) 6435–6439
- [72] **J A Perea**, *Künneth formulae in persistent homology* (2018) Available at <http://www.birs.ca/events/2018/5-day-workshops/18w5140/videos/watch/201808081206-Perea.html>
- [73] **V Robins**, *Towards computing homology from finite approximations*, *Topology Proc.* 24 (1999) 503–532 [MR](#) [Zbl](#)
- [74] **M Schmahl**, *Structure of semi-continuous q -tame persistence modules*, *Homology Homotopy Appl.* 24 (2022) 117–128 [MR](#) [Zbl](#)
- [75] **C Semple, M Steel**, *Phylogenetics*, Oxford Lecture Series in Mathematics and its Applications 24, Oxford Univ. Press (2003) [MR](#) [Zbl](#)
- [76] **V de Silva, G Carlsson**, *Topological estimation using witness complexes*, from “Symposium on point-based graphics 2004” (M Gross, H Pfister, M Alexa, S Rusinkiewicz, editors), The Eurographics Association (2004) 157–166
- [77] **V de Silva, R Ghrist**, *Coverage in sensor networks via persistent homology*, *Algebr. Geom. Topol.* 7 (2007) 339–358 [MR](#) [Zbl](#)

- [78] **E H Spanier**, *Algebraic topology*, Springer (1981) [MR](#) [Zbl](#)
- [79] **A Verri, C Uras, P Frosini, M Ferri**, *On the use of size functions for shape analysis*, *Biol. Cybern.* 70 (1993) 99–107 [Zbl](#)
- [80] **L Vietoris**, *Über den höheren Zusammenhang kompakter Räume und eine Klasse von zusammenhangstreuen Abbildungen*, *Math. Ann.* 97 (1927) 454–472 [MR](#) [JFM](#)
- [81] **Ž Virk**, *1–dimensional intrinsic persistence of geodesic spaces*, *J. Topol. Anal.* 12 (2020) 169–207 [MR](#) [Zbl](#)
- [82] **Ž Virk**, *Rips complexes as nerves and a functorial Dowker-nerve diagram*, *Mediterr. J. Math.* 18 (2021) art. id. 58 [MR](#) [Zbl](#)
- [83] **F H Wilhelm, Jr**, *On the filling radius of positively curved manifolds*, *Invent. Math.* 107 (1992) 653–668 [MR](#) [Zbl](#)
- [84] **T Yokota**, *On the filling radius of positively curved Alexandrov spaces*, *Math. Z.* 273 (2013) 161–171 [MR](#) [Zbl](#)

*Department of Mathematics, Sungkyunkwan University
Suwon-si, South Korea*

*Department of Mathematics, The Ohio State University
Columbus, OH, United States*

*Department of Mathematics, Florida State University
Tallahassee, FL, United States*

lsh3109@skku.edu, facundo.memoli@gmail.com, okutan@math.fsu.edu

<https://sites.google.com/view/sunhyuklim>, <http://facundo-memoli.org>,
<https://sites.google.com/view/ookutan/home>

Received: 18 January 2022 Revised: 16 July 2022

ALGEBRAIC & GEOMETRIC TOPOLOGY

msp.org/agt

EDITORS

PRINCIPAL ACADEMIC EDITORS

John Etnyre
etnyre@math.gatech.edu
Georgia Institute of Technology

Kathryn Hess
kathryn.hess@epfl.ch
École Polytechnique Fédérale de Lausanne

BOARD OF EDITORS

Julie Bergner	University of Virginia jeb2md@eservices.virginia.edu	Robert Lipshitz	University of Oregon lipshitz@uoregon.edu
Steven Boyer	Université du Québec à Montréal cohf@math.rochester.edu	Norihiko Minami	Nagoya Institute of Technology nori@nitech.ac.jp
Tara E Brendle	University of Glasgow tara.brendle@glasgow.ac.uk	Andrés Navas	Universidad de Santiago de Chile andres.navas@usach.cl
Indira Chatterji	CNRS & Univ. Côte d'Azur (Nice) indira.chatterji@math.cnrs.fr	Thomas Nikolaus	University of Münster nikolaus@uni-muenster.de
Alexander Dranishnikov	University of Florida dranish@math.ufl.edu	Robert Oliver	Université Paris 13 bobol@math.univ-paris13.fr
Tobias Ekholm	Uppsala University, Sweden tobias.ekholm@math.uu.se	Jessica S Purcell	Monash University jessica.purcell@monash.edu
Mario Eudave-Muñoz	Univ. Nacional Autónoma de México mario@matem.unam.mx	Birgit Richter	Universität Hamburg birgit.richter@uni-hamburg.de
David Futer	Temple University dfuter@temple.edu	Jérôme Scherer	École Polytech. Féd. de Lausanne jerome.scherer@epfl.ch
John Greenlees	University of Warwick john.greenlees@warwick.ac.uk	Vesna Stojanoska	Univ. of Illinois at Urbana-Champaign vesna@illinois.edu
Ian Hambleton	McMaster University ian@math.mcmaster.ca	Zoltán Szabó	Princeton University szabo@math.princeton.edu
Matthew Hedden	Michigan State University mhedden@math.msu.edu	Maggy Tomova	University of Iowa maggy-tomova@uiowa.edu
Hans-Werner Henn	Université Louis Pasteur henn@math.u-strasbg.fr	Nathalie Wahl	University of Copenhagen wahl@math.ku.dk
Daniel Isaksen	Wayne State University isaksen@math.wayne.edu	Chris Wendl	Humboldt-Universität zu Berlin wendl@math.hu-berlin.de
Thomas Koberda	University of Virginia thomas.koberda@virginia.edu	Daniel T Wise	McGill University, Canada daniel.wise@mcgill.ca
Christine Lescop	Université Joseph Fourier lescop@ujf-grenoble.fr		

See inside back cover or msp.org/agt for submission instructions.

The subscription price for 2024 is US \$705/year for the electronic version, and \$1040/year (+\$70, if shipping outside the US) for print and electronic. Subscriptions, requests for back issues and changes of subscriber address should be sent to MSP. Algebraic & Geometric Topology is indexed by [Mathematical Reviews](#), [Zentralblatt MATH](#), [Current Mathematical Publications](#) and the [Science Citation Index](#).

Algebraic & Geometric Topology (ISSN 1472-2747 printed, 1472-2739 electronic) is published 9 times per year and continuously online, by Mathematical Sciences Publishers, c/o Department of Mathematics, University of California, 798 Evans Hall #3840, Berkeley, CA 94720-3840. Periodical rate postage paid at Oakland, CA 94615-9651, and additional mailing offices. POSTMASTER: send address changes to Mathematical Sciences Publishers, c/o Department of Mathematics, University of California, 798 Evans Hall #3840, Berkeley, CA 94720-3840.

AGT peer review and production are managed by EditFlow[®] from MSP.

PUBLISHED BY

 **mathematical sciences publishers**

nonprofit scientific publishing

<https://msp.org/>

© 2024 Mathematical Sciences Publishers

ALGEBRAIC & GEOMETRIC TOPOLOGY

Volume 24 Issue 2 (pages 595–1223) 2024

Comparing combinatorial models of moduli space and their compactifications	595
DANIELA EGAS SANTANDER and ALEXANDER KUPERS	
Towards a higher-dimensional construction of stable/unstable Lagrangian laminations	655
SANGJIN LEE	
A strong Haken theorem	717
MARTIN SCHARLEMANN	
Right-angled Artin subgroups of right-angled Coxeter and Artin groups	755
PALLAVI DANI and IVAN LEVCOVITZ	
Filling braided links with trisected surfaces	803
JEFFREY MEIER	
Equivariantly slicing strongly negative amphichiral knots	897
KEEGAN BOYLE and AHMAD ISSA	
Computing the Morava K -theory of real Grassmannians using chromatic fixed point theory	919
NICHOLAS J KUHN and CHRISTOPHER J R LLOYD	
Slope gap distributions of Veech surfaces	951
LUIS KUMANDURI, ANTHONY SANCHEZ and JANE WANG	
Embedding calculus for surfaces	981
MANUEL KRANNICH and ALEXANDER KUPERS	
Vietoris–Rips persistent homology, injective metric spaces, and the filling radius	1019
SUNHYUK LIM, FACUNDO MÉMOLI and OSMAN BERAT OKUTAN	
Slopes and concordance of links	1101
ALEX DEGTYAREV, VINCENT FLORENS and ANA G LECUONA	
Cohomological and geometric invariants of simple complexes of groups	1121
NANSEN PETROSYAN and TOMASZ PRYTUŁA	
On the decategorification of some higher actions in Heegaard Floer homology	1157
ANDREW MANION	
A simplicial version of the 2–dimensional Fulton–MacPherson operad	1183
NATHANIEL BOTTMAN	
Intrinsically knotted graphs with linklessly embeddable simple minors	1203
THOMAS W MATTMAN, RAMIN NAIMI, ANDREI PAVELESCU and ELENA PAVELESCU	