

Pacific Journal of Mathematics

**DETERMINATION OF THE INTERTWINING OPERATORS FOR
HOLOMORPHICALLY INDUCED REPRESENTATIONS OF
HERMITIAN SYMMETRIC PAIRS**

BRIAN BOE, THOMAS JONES ENRIGHT AND BRAD SHELTON

DETERMINATION OF THE INTERTWINING
OPERATORS FOR HOLOMORPHICALLY
INDUCED REPRESENTATIONS OF
HERMITIAN SYMMETRIC PAIRS

BRIAN D. BOE, THOMAS J. ENRIGHT AND BRAD SHELTON

Let X and Y be two holomorphically induced representations for an irreducible Hermitian symmetric pair (G, K) with integral highest weights. Then $\text{Hom}(X, Y)$ equals either \mathbf{C} or zero. In this article we give formulas for $\text{Hom}(X, Y)$ when the infinitesimal character of X and Y is integral and either regular or semi-regular. One formula is given in terms of the highest weight of X and the other in terms of the highest weight of Y .

1. Introduction. Let X and Y be two holomorphically induced representations for an irreducible Hermitian symmetric pair (G, K) with integral highest weights. Then $\text{Hom}(X, Y)$ equals either \mathbf{C} or zero ([2], [7]). In this article we give formulas for $\text{Hom}(X, Y)$ when the infinitesimal character of X and Y is integral and either regular or semi-regular. One formula is given in terms of the highest weight of X and the other in terms of the highest weight of Y . These formulas were established for the case of $\text{SU}(p, q)$ by the first two authors [3].

This article complements the results of [7] which include formulas for the composition factors of the modules X and Y above when G is of classical type. With this in mind we shall suppose the reader is familiar with the notation and results of [7], especially sections eight through thirteen of that article. Since [7] does not include formulas for the composition factors when G is of exceptional type we will provide formulas in those cases. These formulas will be consistent with the formulas of [7] and will be derived with the help of [4].

Recently, H. Jakobsen has given a formula for $\text{Hom}(X, Y)$ when one of these modules is induced from a one dimensional module [9]. Our formula for $\text{Hom}(N_y, N_x)$ below follows from Jakobsen's work in the cases where either x is the identity element or y is the element of maximal length in \mathscr{W}^m . Otherwise our results are disjoint.

For references to other work on the description of $\text{Hom}(X, Y)$ the reader should consult the introductions and bibliographies in [2] and [7].

2. Statement of results. In order to state our results we recall some of the notation of [7]. Let \mathfrak{g} (resp. \mathfrak{m}) be the complexified Lie algebra of G (resp. K), and let \mathfrak{p} be a maximal parabolic subalgebra of \mathfrak{g} with Levi component \mathfrak{m} and nilradical \mathfrak{u} . Let \mathfrak{h} be a Cartan subalgebra of \mathfrak{g} and \mathfrak{m} and let \mathfrak{b} be a Borel subalgebra of \mathfrak{g} with $\mathfrak{h} \subseteq \mathfrak{b} \subseteq \mathfrak{p}$. The Weyl group of \mathfrak{g} (resp. \mathfrak{m}) is \mathcal{W} (resp. \mathcal{W}_m) and we have $\mathcal{W} = \mathcal{W}_m \mathcal{W}^m$ where \mathcal{W}^m is the set of minimal length left coset representations. The projection of \mathcal{W} onto \mathcal{W}^m given by the decomposition $\mathcal{W} = \mathcal{W}_m \mathcal{W}^m$ is denoted by $\omega \mapsto \bar{\omega}$. Let Δ , $\Delta(\mathfrak{m})$ and $\Delta(\mathfrak{u})$ be the sets of \mathfrak{h} -roots of \mathfrak{g} , \mathfrak{m} and \mathfrak{u} respectively. Put $2\rho = \sum_{\alpha \in \Delta^+} \alpha$.

For $\lambda \in \mathfrak{h}^*$ we denote by $M(\lambda)$ the \mathfrak{g} -Verma module of highest weight $\lambda - \rho$. Then $L(\lambda)$ and $N(\lambda)$ denote the simple quotient and maximal \mathfrak{m} -locally finite quotient of $M(\lambda)$ respectively (cf. [7]). For $x \in \mathcal{W}^m$ we denote by N_x and L_x the modules $N(x\rho)$ and $L(x\rho)$. We adopt the convention that if all roots are the same length, they are called short.

DEFINITION 2.1. Set $\mathcal{M} = \{(\gamma, \nu) \mid \gamma, \nu \in \Delta^+ \text{ and either } \langle \gamma, \nu \rangle \neq 0 \text{ or both } \gamma \text{ and } \nu \text{ are long roots}\}$. Let $\mathcal{S}(\Delta^+)$ denote the collection of all subsets Ω of Δ^+ which satisfy the following conditions:

- (a) If γ, ν are in Ω , $\gamma \neq \nu$, then $(\gamma, \nu) \notin \mathcal{M}$.
- (b) If γ is in Ω and ξ is in Δ^+ with $\gamma \neq \xi$, $(\gamma, \xi) \in \mathcal{M}$ and $\xi \leq \gamma$ then there is a ζ in Ω with $\zeta \neq \gamma$, $(\zeta, \xi) \in \mathcal{M}$ and $\zeta \leq \gamma$.

We note that $\mathcal{S}(\Delta^+)$ is defined for any positive system of any root system. When there is no chance of confusion we will denote this set simply as \mathcal{S} .

Fix x in \mathcal{W}^m . Then \mathcal{S}_x will denote the set of all Ω in \mathcal{S} which satisfy $x\Omega \subseteq \Delta(\mathfrak{u}) \cup -\Delta(\mathfrak{u})$. By \mathcal{E}_x we will denote the collection of Ω in \mathcal{S}_x which satisfy the additional condition:

- (c) If γ is in Ω then there is a ζ in Ω with $\gamma \leq \zeta$ and $x\zeta \in \Delta(\mathfrak{u})$.

For $\Omega \in \mathcal{S}_x$, put $\Omega^+ = \{\gamma \in \Omega \mid x\gamma \in \Delta(\mathfrak{u})\}$ and $\Omega^- = \{\gamma \in \Omega \mid x\gamma \in -\Delta(\mathfrak{u})\}$. We say that Ω is x -positive (resp. x -negative) if $\Omega = \Omega^+$ (resp. $\Omega = \Omega^-$). Note that the x -positive elements of \mathcal{S}_x are automatically in \mathcal{E}_x .

Let $r_\Omega = \prod_{\gamma \in \Omega^+} s_\gamma$ and $t_\Omega = \prod_{\gamma \in \Omega^-} s_\gamma$.

We can now state our main result.

PROPOSITION 2.2. *Let x and y be in \mathcal{W}^m . Then:*

(a)

$$\text{Hom}(N_y, N_x) = \begin{cases} \mathbf{C} & \text{if } y = \overline{xr_\Omega} \text{ for some } x\text{-positive } \Omega \text{ in } \mathcal{S}_x, \\ 0 & \text{otherwise.} \end{cases}$$

(b)

$$\mathrm{Hom}(N_y, N_x) = \begin{cases} \mathbf{C} & \text{if } x = \overline{yt_\Omega} \text{ for some } y\text{-negative } \Omega \text{ in } \mathcal{S}_y, \\ 0 & \text{otherwise.} \end{cases}$$

We will prove only part (a) of (2.2). The proof of (b) is exactly the same and we omit the details.

In order for the reader to better relate (2.2) to the theory of composition factors we recall the following proposition from [7].

PROPOSITION 2.3. *Assume that \mathfrak{g} is of classical type and let x and y be in \mathcal{W}^m . Then*

(a) *The mappings $\Omega \mapsto \Omega^+$ and $\Omega \mapsto \overline{xr_\Omega}$ are injective when restricted to \mathcal{E}_x .*

(b) *The simple module L_y is a composition factor of N_x if and only if $y = \overline{xr_\Omega}$ for some Ω in \mathcal{E}_x . Moreover, the composition factors of N_x occur with multiplicity one.*

We will verify in section four that (2.3) also holds when \mathfrak{g} is of exceptional type (cf. (4.3)).

3. The classical cases. Assume that \mathfrak{g} is of classical type. Let notation be as in [7], sections eight through thirteen. There are five classical cases to consider which we denote by HS. i , $1 \leq i \leq 5$ [7, Table 8.1]. These correspond respectively to the cases: $SU(p, q)$, $SO(2n - 1, 2)$, $Sp(2n, \mathbf{R})$, $SO(2n - 2, 2)$ and $SO^*(2n)$. In the cases of HS.2 and HS.4 the result can be obtained directly from [6, §7] and [6, §9] respectively. If $(\mathfrak{g}, \mathfrak{p})$ is of type HS.1, HS.3 or HS.5 with constant p equal to one [7, (8.1)] then the result follows from [6, §6]. So we may assume that $(\mathfrak{g}, \mathfrak{p})$ is of type HS.1, HS.3 or HS.5 with constant $p > 1$. We proceed by induction on the constant p . If α is a simple root we put $\mathcal{W}_\alpha = \{x \in \mathcal{W}^m \mid x\alpha \in -\Delta(u)\}$. Let ω_α be the fundamental weight corresponding to α . For x or xs_α in \mathcal{W}_α , write N_x^α and L_x^α for $N(x(\rho - \omega_\alpha))$ and $L(x(\rho - \omega_\alpha))$ respectively.

LEMMA 3.1. *Let α be a simple root and let $x, y \in \mathcal{W}_\alpha$. Then:*

(a) *$\mathrm{Hom}(N_y^\alpha, N_x^\alpha) \cong \mathbf{C}$ or zero depending as $y = \overline{xr_\Omega}$ for some x -positive set Ω in $\mathcal{S}_{x,\alpha}$ or not.*

(b) *$\mathrm{Hom}(N_y^\alpha, N_x^\alpha) \cong \mathbf{C}$ or zero depending as $x = \overline{yt_\Omega}$ for some y -negative set Ω in $\mathcal{S}_{y,\alpha}$ or not.*

Proof. Suppose that α is a short root and let $\Lambda_\alpha: \mathcal{O}' \rightarrow \mathcal{O}_\alpha$ be the equivalence of categories guaranteed by [7, (10.1) and (11.2)]. The inductive hypotheses assure that (2.2) holds in the category \mathcal{O}' . Thus (3.1) follows from the formulas of [7, (10.5) and (11.7)].

If β is the long simple root of HS.3 then let α be the adjacent short simple root. (3.1) holds for α ; and so, by the formulas of [7, (12.15), (12.16) and (12.17)] and the equivalence of categories in [7, (12.14)], (3.1) must also hold for β . This completes (3.1).

In [2], an algorithm was given for computing $\text{Hom}(N_y, N_x)$ inductively, using [7, Proposition 11.2]. This algorithm is the main ingredient in the remaining part of our proof. For x and y in \mathscr{W}^m set $d(y, x) = \dim(\text{Hom}(N_y, N_x))$. We know from [2] or [7] that $d(y, x) \leq 1$. If x has maximal length in \mathscr{W}^m then $N_x = L_x$, there are no nonempty x -positive sets in \mathscr{S}_x and $d(y, x) \neq 0$ if and only if $x = y$. Thus we may assume that x does not have maximal length.

Fix a nonempty x -positive set Ω in \mathscr{E}_x and set $y = \overline{xr_\Omega}$. By [8, proof of (4.2)], if Ω is a set of simple roots then the standard map from N_y to N_x is nonzero and $d(y, x) = 1$. Thus we assume that Ω has some non-simple roots.

Choose γ to be any root in Ω that is minimal with respect to \leq among the non-simple roots of Ω . We claim that there is short simple root β with

$$(3.2) \quad \langle \beta, \gamma^\vee \rangle = 1.$$

If γ is of the form $e_i - e_j$ then set $\beta = e_i - e_{i+1}$. If $\gamma = e_i + e_j$ with $i \leq j < n$ then set $\beta = e_j - e_{j+1}$. If $\gamma = e_i + e_n$, $1 \leq i < n - 1$, then set $\beta = e_i - e_{i+1}$. Finally, suppose that $\gamma = e_{n-1} + e_n$. Since γ is not simple, $(\mathfrak{g}, \mathfrak{p})$ must be of type HS.3. Set $\lambda = 2e_n$. Then $(\lambda, \gamma) \in \mathscr{M}$ and $\lambda \leq \gamma$. Thus, by (2.1), there is an $\alpha \in \Omega$ with $\alpha \neq \gamma$ and $\alpha \leq \gamma$. This forces α to be $e_{n-1} - e_n$. This contradicts the assumption that Ω is in \mathscr{E}_x since $x\alpha$ and $x\gamma$ cannot both be in $\Delta(\mathfrak{u}) \cup -\Delta(\mathfrak{u})$. Thus the final case does not occur. This proves the claim.

Let β be as in (3.2). Then $\beta \leq \gamma$; and so by (2.1), there is an α in Ω with $\alpha \leq \gamma$, $\alpha \neq \gamma$ and $(\alpha, \beta) \in \mathscr{M}$. Minimality of γ forces α to be simple. Thus, since β is a short root, α and β are adjacent simple roots.

LEMMA 3.3. *Let Ω , α , β and γ be as above. Then α and γ are the only roots in Ω not orthogonal to β .*

Proof. Since $x\alpha \in \Delta(\mathfrak{u})$ and $\langle x\alpha^\vee, x\beta \rangle = -1$, $x\beta \notin \Delta(\mathfrak{u})$. Similarly, since $x\gamma \in \Delta(\mathfrak{u})$ and $\langle x\gamma^\vee, x\beta \rangle = 1$, $x\beta \notin -\Delta(\mathfrak{u})$. Thus $x\beta \in \Delta(\mathfrak{m})$.

Let μ be the unique simple root in $\Delta(u)$. Let ζ be any third root in Ω . Then, $x\zeta \in \Delta(u)$. However, $xs_\alpha s_\zeta \beta = x\beta + x\alpha - \langle \beta, \zeta^\vee \rangle x\zeta$ cannot have μ -coefficient larger than 1; and so, $\langle \beta, \zeta^\vee \rangle \geq 0$. Similarly, $xs_\gamma s_\zeta \beta = x\beta - x\gamma - \langle \beta, \zeta^\vee \rangle x\zeta$ cannot have μ -coefficient less than -1 ; and so, $\langle \beta, \zeta^\vee \rangle \leq 0$. Thus $\langle \beta, \zeta \rangle = 0$. This proves the lemma.

From the lemma we see that $y\beta = \overline{xr_\Omega}\beta = mxs_\alpha s_\gamma \beta = m(xs_\alpha \beta - x\gamma)$ where $m \in \mathscr{W}_m$. Also, $xs_\alpha \beta = x(\alpha + \beta)$. Since $x\alpha, x\gamma \in \Delta(u)$, we have exactly two possibilities,

$$xs_\alpha \beta \in \Delta(m) \quad \text{and} \quad y\beta \in -\Delta(u)$$

or

$$xs_\alpha \beta \in \Delta(u) \quad \text{and} \quad y\beta \in \Delta(m).$$

In each of these cases, by [2, (2.3)], $d(y, xs_\alpha) = 0$. The short exact sequence

$$0 \rightarrow N_x \rightarrow \phi_\alpha N_x^\alpha \rightarrow N_{xs_\alpha} \rightarrow 0$$

gives rise to the long exact sequence

$$0 \rightarrow \text{Hom}(N_y, N_x) \rightarrow \text{Hom}(N_y, \phi_\alpha N_x^\alpha) \rightarrow \text{Hom}(N_y, N_{xs_\alpha}) \rightarrow \cdots.$$

We have seen that the last term here is zero. Combining this with (3.1) and the adjoint property of ϕ_α and ψ_α we see $d(y, x) = \dim(\text{Hom}(\psi_\alpha N_y, N_x^\alpha)) = \dim(\text{Hom}(N_y, N_x^\alpha)) = 1$.

Conversely, suppose now that $d(y, x) = 1$. Then by (2.3) there is an Ω in \mathcal{E}_x with $y = xr_\Omega$. We must show that Ω is x -positive. Let α be a simple root in Ω . Then $y\alpha \in -\Delta(u)$, so there is a surjection $\phi_\alpha N_y^\alpha \rightarrow N_y \rightarrow 0$. This gives an injection $0 \rightarrow \text{Hom}(N_y, N_x) \rightarrow \text{Hom}(N_y^\alpha, N_x^\alpha)$. Thus by (3.1), $\Omega \setminus \{\alpha\}$ is an x -positive set in $\mathcal{S}_{x,\alpha}$. It remains only to show: $\alpha \in \Omega^+$. Suppose $\alpha \in \Omega^-$, i.e. $x\alpha \in -\Delta(u)$. If μ is any other simple root in Ω then, as above, $\Omega \setminus \{\mu\}$ is x -positive and thus $x\alpha \in \Delta(u)$. This contradiction assures that α is the unique simple root in Ω . Set $z = xs_\alpha$. Then Ω is a z -positive element of \mathcal{E}_z and $y = z\prod_{\gamma \in \Omega} s_\gamma$. But then, by the preceding paragraph, $d(y, z) = 1$ and $d(y, zs_\alpha) = 0$. However, $d(y, zs_\alpha) = d(y, x) = 1$. This contradiction shows that α must lie in Ω^+ and completes the proof of (2.2) in the classical cases.

4. The exceptional cases. Here we verify (2.2) when \mathfrak{g} is of exceptional type E_6 or E_7 . To make sense of (2.2) in the exceptional cases we must first prove a generalization of (2.3) for these cases.

For $x, y \in \mathscr{W}^m$ write (N_x, L_y) for the multiplicity of L_y as a composition factor of N_x . We write F_x for the set of all $y \in \mathscr{W}^m$ with $(N_y, L_x) = 1$. The labeled posets \mathscr{W}^m for the two exceptional cases are given in Figures 4.1 and 4.2. These are consistent with the notation of [4]

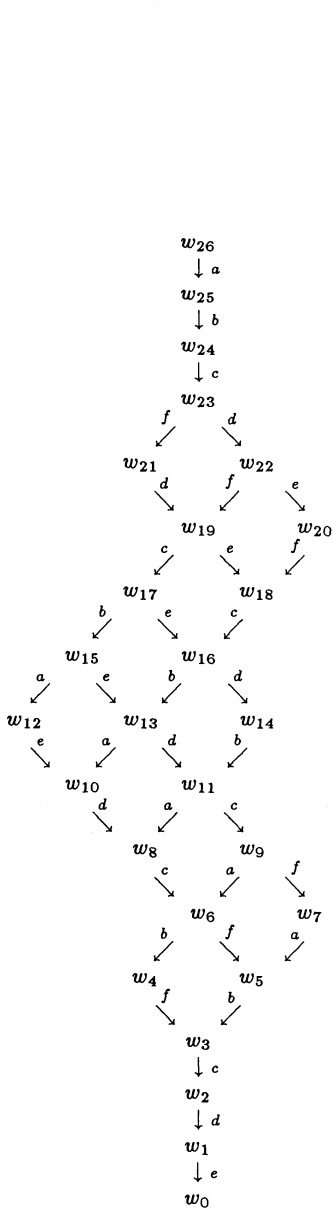


FIGURE 4.1. \mathcal{W}^m for E_6

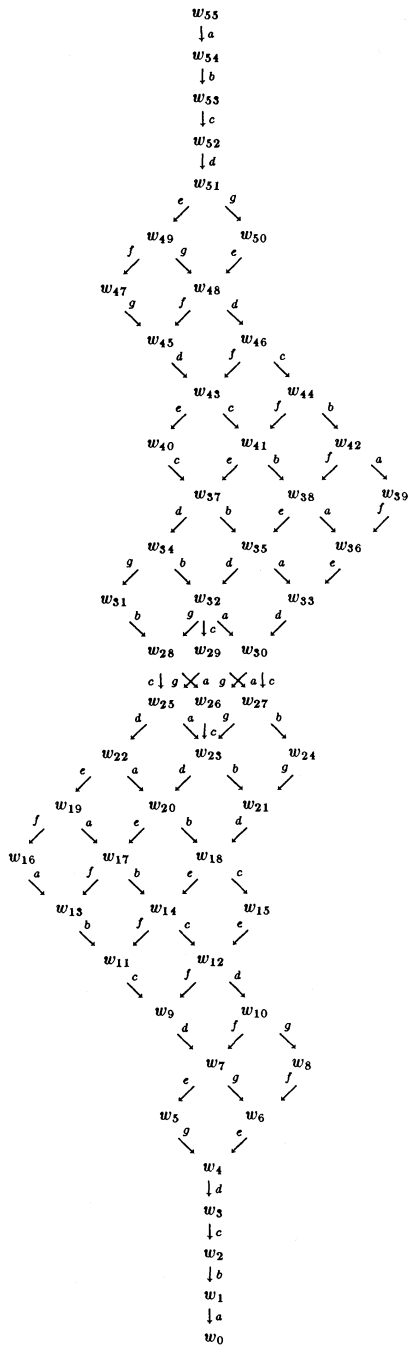


FIGURE 4.2. \mathcal{W}^m for E_7

TABLE 4.1

E_6 data for $w_j \in \mathcal{W}_f$. The sets $-w_j^{-1}\Sigma_{w_j}$ and $F_j = \{i \mid (N_{w_j}, L_{w_j}) = 1\}$.

j	$-w_j^{-1}\Sigma_{w_j}$	F_j
21	f	23,21
19	f, d	23,22,21,19
18	f, e	22,20,19,18
7	$f, \begin{pmatrix} 0 & 1 & 2 & 1 & 0 \\ & & & 1 & \end{pmatrix}$	20,18,9,7
5	f, a	9,7,6,5
3	f, b	6,5,4,3

TABLE 4.2

Case E_7 data for $w_j \in \mathcal{W}_f$. The sets $-w_j^{-1}\Sigma_{w_j}$ and $F_j = \{i \mid (N_{w_j}, L_{w_j}) = 1\}$.

j	$-w_j^{-1}\Sigma_{w_j}$	F_j
47	f	49,47
45	f, g	49,48,47,45
43	f, d	48,46,45,43
41	f, c	46,44,43,41
38	f, b	44,42,41,38
36	f, a	42,39,38,36
16	$f, \begin{pmatrix} 0 & 0 & 1 & 2 & 2 & 1 \\ & & & & 1 & \end{pmatrix}$	42,38,19,16
13	$f, a, \begin{pmatrix} 0 & 0 & 1 & 2 & 2 & 1 \\ & & & & 1 & \end{pmatrix}$	42,39,38,36,19,17,16,13
11	$f, b, \begin{pmatrix} 1 & 1 & 1 & 2 & 2 & 1 \\ & & & & 1 & \end{pmatrix}$	44,42,41,38,17,14,13,11
9	$f, c, \begin{pmatrix} 1 & 2 & 2 & 2 & 2 & 1 \\ & & & & 1 & \end{pmatrix}$	46,44,43,41,14,12,11,9
7	$f, d, \begin{pmatrix} 1 & 2 & 3 & 3 & 2 & 1 \\ & & & & 1 & \end{pmatrix}$	48,46,45,43,12,10,9,7
6	$f, g, \begin{pmatrix} 1 & 2 & 3 & 4 & 2 & 1 \\ & & & & 2 & \end{pmatrix}$	49,48,47,45,10,8,7,6

to show that $-x^{-1}\Sigma_x$ satisfies (2.1b). Choose $\xi \in \Delta^+$ and $\gamma \in -x^{-1}\Sigma_x$ with $\xi \leq \gamma$, $\xi \neq \gamma$ and $\langle \xi, \gamma \rangle \neq 0$. Then γ cannot be simple; and so, by Tables 4.1 and 4.2, either g is E_6 and $x = w_7$ or g is E_7 and $x = w_j$ with $j \in \{6, 7, 9, 11, 13, 16\}$. A case by case check in these seven cases shows that (2.1b) holds. For each $x \in \mathcal{W}_f$ we see from Tables 4.1 and 4.2 that $\text{card}(F_x) = 2^{\text{card}(\Sigma_x)}$. Thus, to prove (4.3b) for $x \in \mathcal{W}_f$ it suffices to observe that for each $\Omega \subseteq \Sigma_x$, $s_\Omega x \in F_x$. This computation can be verified from the tables.

Now fix any $x \in \mathcal{W}^m$. If $x = e$ then $\Sigma_x = \emptyset$ and $F_x = \{x\}$. So assume that $x \neq e$. Then there is a simple root α with $x \in \mathcal{W}_\alpha$. If $\alpha = f$

then we have already seen that (4.3a) and (4.3b) hold for x . So assume that $\alpha \neq f$. By a theorem of Vogan, [10], or more specifically [7, (10.1)], there is an equivalence of categories $\pi: \mathcal{O}_\alpha \rightarrow \mathcal{O}_f$. Define $w \in \mathcal{W}_f$ by $\pi(L_x) \cong L_w$. Then by (4.3a) and (4.3b) for w , $-w^{-1}\Sigma_{w,f} \in \mathcal{S}_{w,f}$ and $F_w \cap \mathcal{W}_f = \{\overline{s_\Omega w} | \Omega \subseteq \Sigma_{w,f}\}$. It follows from [7, (10.4) and (10.5)] that $-x^{-1}\Sigma_{x,\alpha} \in \mathcal{S}_{x,\alpha}$ and $F_x \cap \mathcal{W}_\alpha = \{\overline{s_\Omega x} | \Omega \subseteq \Sigma_{x,\alpha}\}$. Thus, by [7, (9.5)], $-x^{-1}\Sigma_x \in \mathcal{S}_x$. We also see, exactly as in [7, (12.4)], that $F_x = \{\overline{s_\Omega x} | \Omega \subseteq \Sigma_x\}$. This completes the proof of (4.3a) and (4.3b).

Part (c) follows from parts (a) and (b) and [7, (9.6)]. Part (d) comes from [1]. Finally, (e) follows from (a) and [5, (5.1)]. This proves (4.3).

The proof of (2.2) in the exceptional cases proceeds as in the classical cases. We need only establish (3.1) and (3.2) for the exceptional cases. These will be (4.5) and (4.6) (respectively) below. For any $x \in \mathcal{W}^m$, put $H_x = \{y \in \mathcal{W}^m \mid \text{Hom}(N_y, N_x) \cong \mathbf{C}\}$. Recall from [1] that we know $d(y, x) \leq 1$ for all $x, y \in \mathcal{W}^m$. Moreover, from [2], the sets H_x are known explicitly. We wish only to show:

$$(4.4) \quad H_x = \{\overline{xr_\Omega} | \Omega \text{ an } x\text{-positive set in } \mathcal{S}_x\}.$$

LEMMA 4.5. *Let α be a simple root and let $x, y \in \mathcal{W}_\alpha$. Then $\text{Hom}(N_y^\alpha, N_x^\alpha) \cong \mathbf{C}$ or zero depending as $y = \overline{xr_\Omega}$ for some x -positive set Ω in $\mathcal{S}_{x,\alpha}$ or not.*

Proof. In Tables 4.3 and 4.4 we have listed the x -positive sets in $\mathcal{S}_{x,f}$ and the sets $H_{x,f} = \{y \in \mathcal{W}_f \mid \text{Hom}(N_y^f, N_x^f) \neq 0\}$. The x -positive sets are found by direct computation while $H_{x,f}$ is gleaned from [2]. From the tables it follows by direct computation that (4.5) holds for $\alpha = f$. By [7, (10.1) and (10.5)], the lemma holds for all simple α .

TABLE 4.3

E_6 data for $w_j \in \mathcal{W}_f$. The w_j -positive sets in $\mathcal{S}_{w_j,f}$ and $H_{w_j,f} = \{i \mid w_i \in \mathcal{W}_f, \text{Hom}(N_{w_i}^f, N_{w_j}^f) \neq 0\}$.

j	w_j -positive sets in \mathcal{S}_{w_j}	$H_{w_j,f}$
21	$\emptyset, \{d\}$	21, 19
19	$\emptyset, \{e\}$	19, 18
18	$\emptyset, \left\{ \begin{pmatrix} 0 & 1 & 2 & 1 & 0 \\ & & & 1 & \end{pmatrix} \right\}$	18, 7
7	$\emptyset, \{a\}$	7, 5
5	$\emptyset, \{b\}$	5, 3
3	\emptyset	3

TABLE 4.4

E_7 data for $w_j \in \mathcal{W}_f$. The w_j -positive sets in $\mathcal{S}_{w_j, f}$ and $H_{w_j, f} = \{i \mid w_i \in \mathcal{W}_f, \text{Hom}(N_{w_i}^f, N_{w_j}^f) \neq 0\}$.

j	w_j -positive sets in \mathcal{S}_{w_j}	$H_{w_j, f}$
47	$\emptyset, \{g\}, \{g, \begin{pmatrix} 1 & 2 & 3 & 4 & 2 & 1 \\ & & & & 2 & \end{pmatrix}\}$	47, 45, 6
45	$\emptyset, \{d\}, \{d, \begin{pmatrix} 1 & 2 & 3 & 3 & 2 & 1 \\ & & & & 1 & \end{pmatrix}\}$	45, 43, 7
43	$\emptyset, \{c\}, \{c, \begin{pmatrix} 1 & 2 & 2 & 2 & 2 & 1 \\ & & & & 1 & \end{pmatrix}\}$	43, 41, 9
41	$\emptyset, \{b\}, \{b, \begin{pmatrix} 1 & 1 & 1 & 2 & 2 & 1 \\ & & & & 1 & \end{pmatrix}\}$	41, 38, 11
38	$\emptyset, \{a\}, \{\gamma\}, \{a, \gamma\}$ where $\gamma = \begin{pmatrix} 0 & 0 & 1 & 2 & 2 & 1 \\ & & & & 1 & \end{pmatrix}$	38, 36, 16, 13
36	$\emptyset, \left\{ \begin{pmatrix} 0 & 0 & 1 & 2 & 2 & 1 \\ & & & & 1 & \end{pmatrix} \right\}$	36, 13
16	$\emptyset, \{a\}$	16, 13
13	$\emptyset, \{b\}$	13, 11
11	$\emptyset, \{c\}$	11, 9
9	$\emptyset, \{d\}$	9, 7
7	$\emptyset, \{g\}$	7, 6
6	\emptyset	6

Let γ be any non-simple positive root. We now claim:

$$(4.6) \quad \text{There is a simple root } \beta \text{ with } \langle \beta, \gamma^\vee \rangle = 1.$$

Let S be the set of simple roots and identify S with the Dynkin diagram of \mathfrak{g} . Write $\gamma = \sum_{\mu \in S} r_\mu \mu$. Let $S_\gamma = \{\mu \in S \mid r_\mu \neq 0\}$. Then S_γ forms a connected Dynkin subdiagram of S . Suppose that γ satisfies the following condition.

$$(4.7) \quad \text{There exist two adjacent simple roots } \beta \text{ and } \zeta \text{ with } r_\beta = r_\zeta = 1 \text{ and } \beta \text{ an extreme root of the diagram } S_\gamma.$$

Then $\langle \beta, \gamma^\vee \rangle = 1$ and $\beta \leq \gamma$, as required. Thus we are reduced to considering only those roots γ which do not satisfy (4.7). These roots, together with appropriate β , are listed in Tables 4.5 and 4.6. In Table 4.6, which gives the necessary roots for E_7 , we have only included those roots for which $r_a \neq 0$. The E_7 roots for which $r_a = 0$ can be thought of as roots for E_6 and are then included in Table 4.5. The tables complete the proof of (4.6).

TABLE 4.5

E_6 roots γ which do not satisfy (4.7) and corresponding β with $\langle \beta, \gamma^\vee \rangle = 1$.

γ	β
$\begin{pmatrix} 0 & 1 & 2 & 1 & 0 \\ & 1 & & & \end{pmatrix}$	c
$\begin{pmatrix} 1 & 2 & 2 & 1 & 0 \\ & 1 & & & \end{pmatrix}$	b
$\begin{pmatrix} 0 & 1 & 2 & 2 & 1 \\ & 1 & & & \end{pmatrix}$	d
$\begin{pmatrix} 1 & 2 & 2 & 2 & 1 \\ & 1 & & & \end{pmatrix}$	b
$\begin{pmatrix} 1 & 2 & 3 & 2 & 1 \\ & 1 & & & \end{pmatrix}$	c
$\begin{pmatrix} 1 & 2 & 3 & 2 & 1 \\ & & & & 2 \end{pmatrix}$	f

TABLE 4.6

E_7 roots γ with $r_\alpha \geq 1$ and which do not satisfy (4.7) and corresponding β with $\langle \beta, \gamma^\vee \rangle = 1$.

γ	β
$\begin{pmatrix} 1 & 2 & 2 & 2 & 1 & 0 \\ & 1 & & & & \end{pmatrix}$	b
$\begin{pmatrix} 1 & 2 & 2 & 2 & 2 & 1 \\ & 1 & & & & \end{pmatrix}$	b
$\begin{pmatrix} 1 & 2 & 2 & 3 & 2 & 1 \\ & 1 & & & & \end{pmatrix}$	b
$\begin{pmatrix} 1 & 2 & 3 & 3 & 2 & 1 \\ & 1 & & & & \end{pmatrix}$	c
$\begin{pmatrix} 1 & 2 & 2 & 3 & 2 & 1 \\ & & & & & 2 \end{pmatrix}$	b
$\begin{pmatrix} 1 & 2 & 3 & 3 & 2 & 1 \\ & & & & & 2 \end{pmatrix}$	c
$\begin{pmatrix} 1 & 2 & 3 & 4 & 2 & 1 \\ & & & & & 2 \end{pmatrix}$	d
$\begin{pmatrix} 1 & 2 & 3 & 4 & 3 & 1 \\ & & & & & 2 \end{pmatrix}$	e
$\begin{pmatrix} 1 & 2 & 3 & 4 & 3 & 2 \\ & & & & & 2 \end{pmatrix}$	f

REFERENCES

- [1] B. Boe and D. H. Collingwood, *A multiplicity one theorem for holomorphically induced representations*, Math. Zeit., **192** (1986), 265–282.
- [2] ———, *Intertwining operators between holomorphically induced modules*, Pacific J. Math., **124** (1986), 73–84.
- [3] B. Boe and T. J. Enright, *Determination of the intertwining operators for holomorphically induced representations of $SU(p, q)$* , Math. Ann., **275** (1986), 401–404.
- [4] D. H. Collingwood, *The \mathfrak{n} -homology of Harish-Chandra modules: generalizing a theorem of Kostant*, Math. Ann., **272** (1985), 161–187.
- [5] D. H. Collingwood, R. S. Irving and B. Shelton, *Filtrations on holomorphically induced modules*, to appear in J. Reine Angew. Math.
- [6] T. J. Enright and B. Shelton, *Decompositions in categories of highest weight modules*, J. Algebra, **100** (1986), 380–402.
- [7] ———, *Categories of highest weight modules: applications to classical Hermitian symmetric pairs*, to appear in Mem. Amer. Math. Soc.
- [8] R. Irving, *Projective modules in the category \mathcal{O}_S : Loewy series*, Trans. Amer. Math. Soc., **291** (1985), 733–754.
- [9] H. P. Jakobsen, *Basic covariant differential operators on Hermitian symmetric spaces*, Ann. Sci. École Norm. Sup., **18** (1985), 421–436.
- [10] D. Vogan, *A generalized τ -invariant for the primitive spectrum of a semi-simple Lie algebra*, Math. Ann., **242** (1979), 209–224.

Received August 22, 1986. The first author was supported in part by NSF grant #DMS-8513467. The second author was supported in part by NSF grant #DMS-8300793, and the third author was supported in part by NSF postdoctoral fellowship #DMS-8414100.

UNIVERSITY OF CALIFORNIA, BERKELEY
BERKELEY, CA 94720

UNIVERSITY OF CALIFORNIA, SAN DIEGO
LA JOLLA, CA 92093

AND

UNIVERSITY OF OREGON
EUGENE, OR 97403

PACIFIC JOURNAL OF MATHEMATICS

EDITORS

V. S. VARADARAJAN
(Managing Editor)
University of California
Los Angeles, CA 90024

HERBERT CLEMENS
University of Utah
Salt Lake City, UT 84112

R. FINN
Stanford University
Stanford, CA 94305

HERMANN FLASCHKA
University of Arizona
Tucson, AZ 85721

RAMESH A. GANGOLLI
University of Washington
Seattle, WA 98195

VAUGHAN F. R. JONES
University of California
Berkeley, CA 94720

ROBION KIRBY
University of California
Berkeley, CA 94720

C. C. MOORE
University of California
Berkeley, CA 94720

HAROLD STARK
University of California, San Diego
La Jolla, CA 92093

ASSOCIATE EDITORS

R. ARENS E. F. BECKENBACH B. H. NEUMANN F. WOLF K. YOSHIDA
(1906–1982)

SUPPORTING INSTITUTIONS

UNIVERSITY OF ARIZONA
UNIVERSITY OF BRITISH COLUMBIA
CALIFORNIA INSTITUTE OF TECHNOLOGY
UNIVERSITY OF CALIFORNIA
MONTANA STATE UNIVERSITY
UNIVERSITY OF NEVADA, RENO
NEW MEXICO STATE UNIVERSITY
OREGON STATE UNIVERSITY

UNIVERSITY OF OREGON
UNIVERSITY OF SOUTHERN CALIFORNIA
STANFORD UNIVERSITY
UNIVERSITY OF HAWAII
UNIVERSITY OF TOKYO
UNIVERSITY OF UTAH
WASHINGTON STATE UNIVERSITY
UNIVERSITY OF WASHINGTON

Pacific Journal of Mathematics

Vol. 131, No. 1 November, 1988

Tomek Bartoszynski , On covering of real line by null sets	1
Allen Davis Bell and Kenneth R. Goodearl , Uniform rank over differential operator rings and Poincaré-Birkhoff-Witt extensions	13
Brian Boe, Thomas Jones Enright and Brad Shelton , Determination of the intertwining operators for holomorphically induced representations of Hermitian symmetric pairs	39
Robert F. Brown , Topological identification of multiple solutions to parametrized nonlinear equations	51
Marc R. M. Coppens , Weierstrass points with two prescribed nongaps	71
Peter Larkin Duren and M. Schiffer , Grunsky inequalities for univalent functions with prescribed Hayman index	105
Robert Greene and Hung-Hsi Wu , Lipschitz convergence of Riemannian manifolds	119
Kathryn E. Hare , Arithmetic properties of thin sets	143
Neal I. Koblitz , Primality of the number of points on an elliptic curve over a finite field	157
Isabel Dotti de Miatello and Roberto Jorge Miatello , Transitive isometry groups with noncompact isotropy	167
Raymond A Ryan , Weakly compact holomorphic mappings on Banach spaces	179
Tudor Zamfirescu , Curvature properties of typical convex surfaces	191