

**CORRECTION TO “EXISTENCE AND BEHAVIOR OF THE
RADIAL LIMITS OF A BOUNDED CAPILLARY SURFACE
AT A CORNER”**

KIRK E. LANCASTER AND DAVID SIEGEL

Vol. 176, No. 1 (1996), 165–194

All figures for this article were inadvertently printed without the necessary labels. This Errata section contains the figures as they should have appeared, with all labels included.

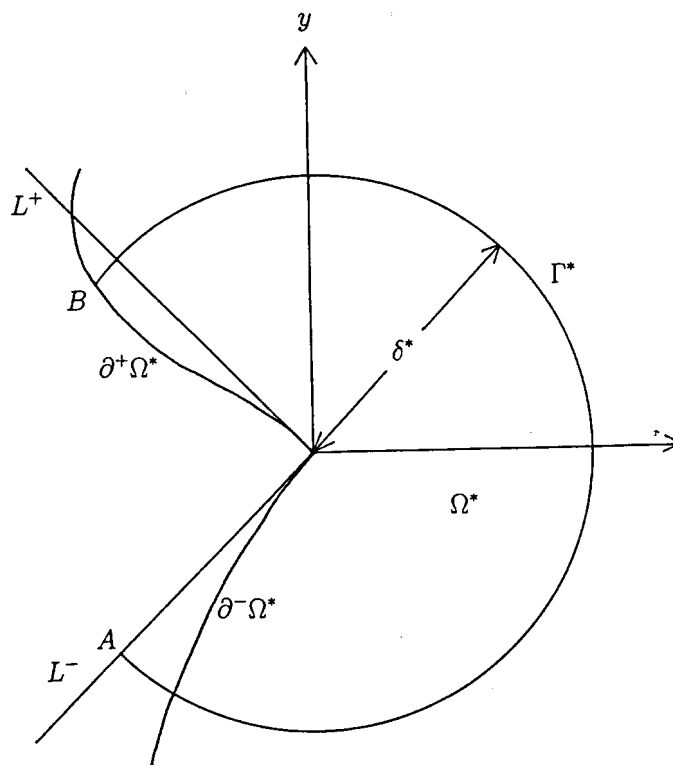


Figure 1.

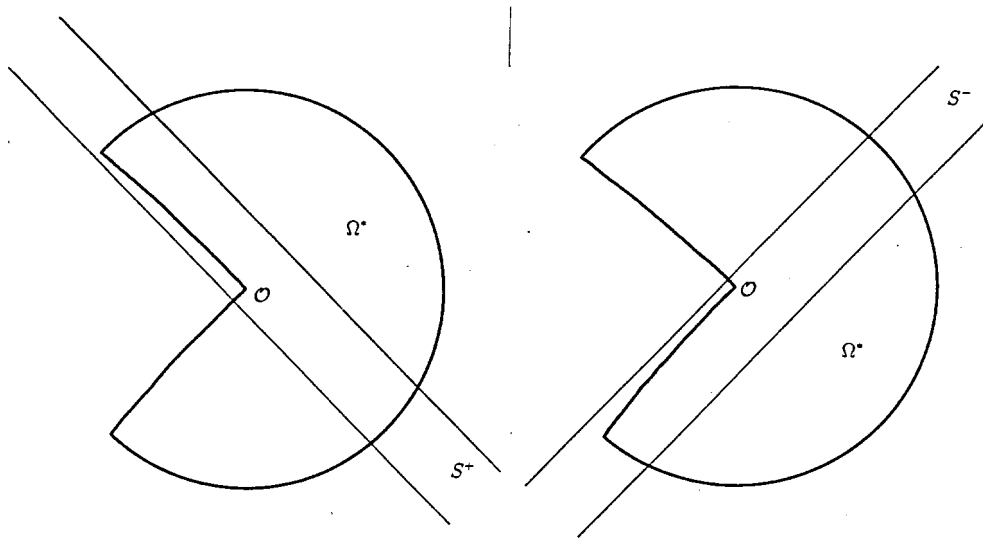


Figure 2a.

Figure 2b.

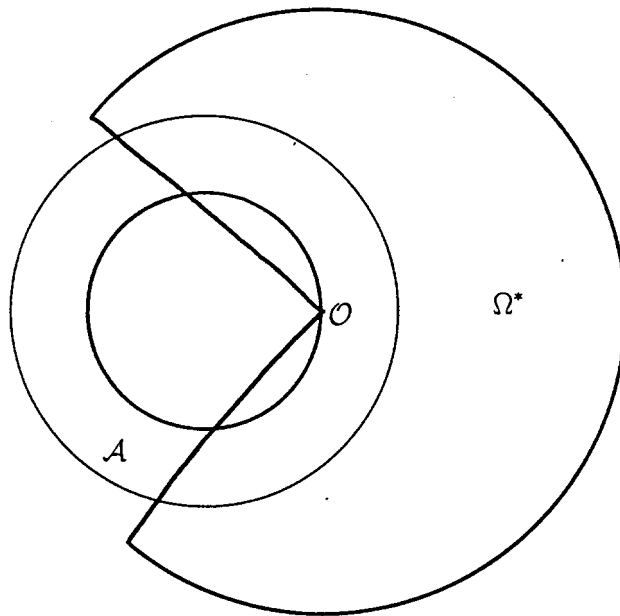


Figure 3.

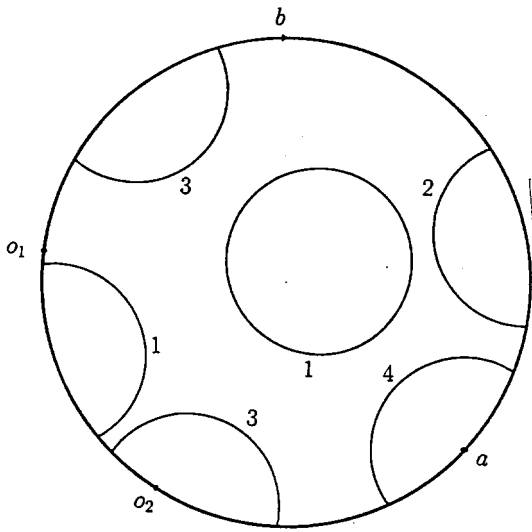


Figure 4a.

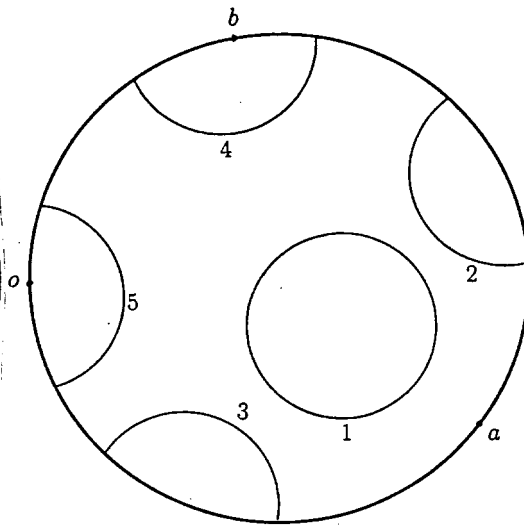


Figure 4b.

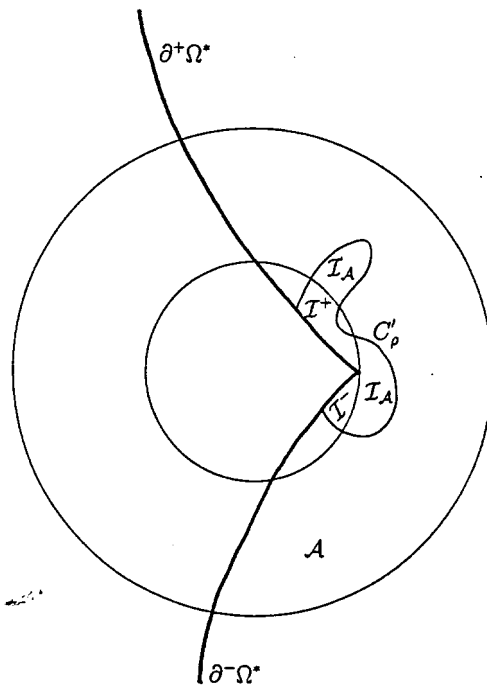


Figure 5.

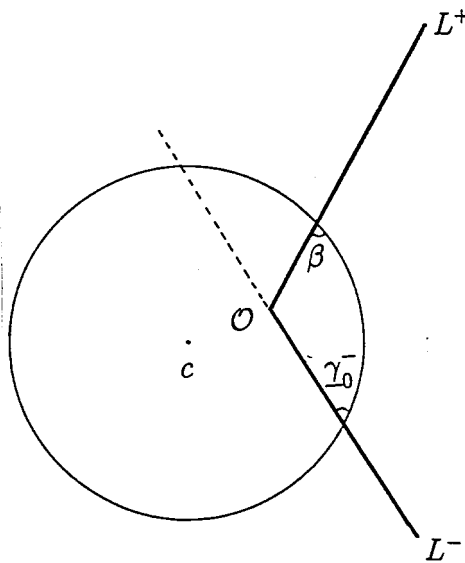


Figure 6.

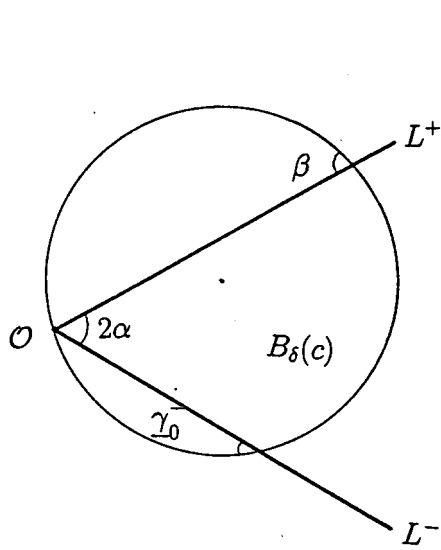


Figure 7.

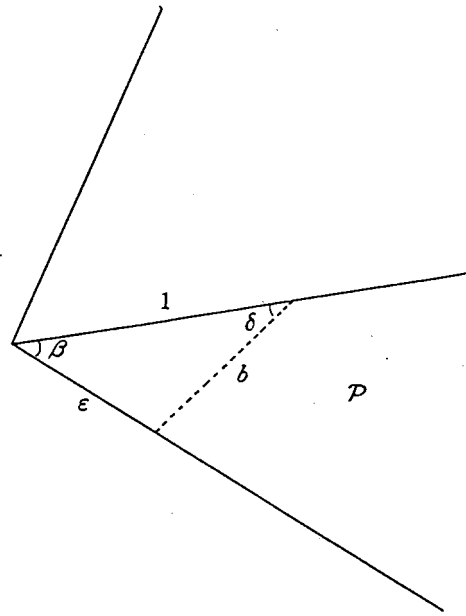


Figure 8.

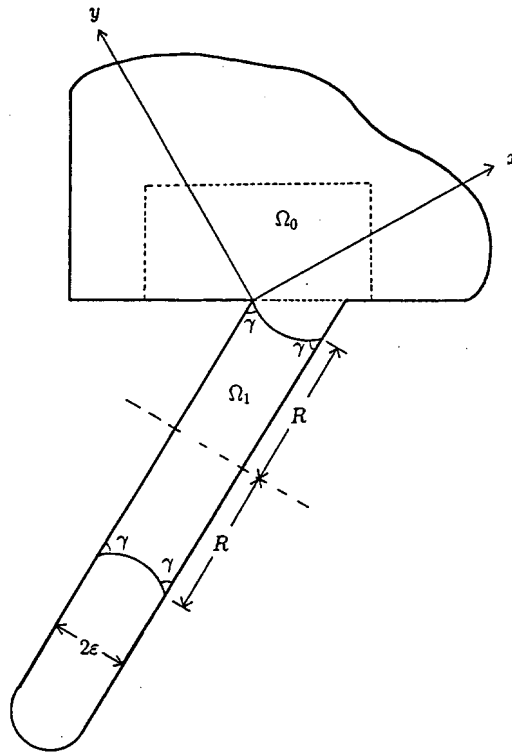


Figure 9.

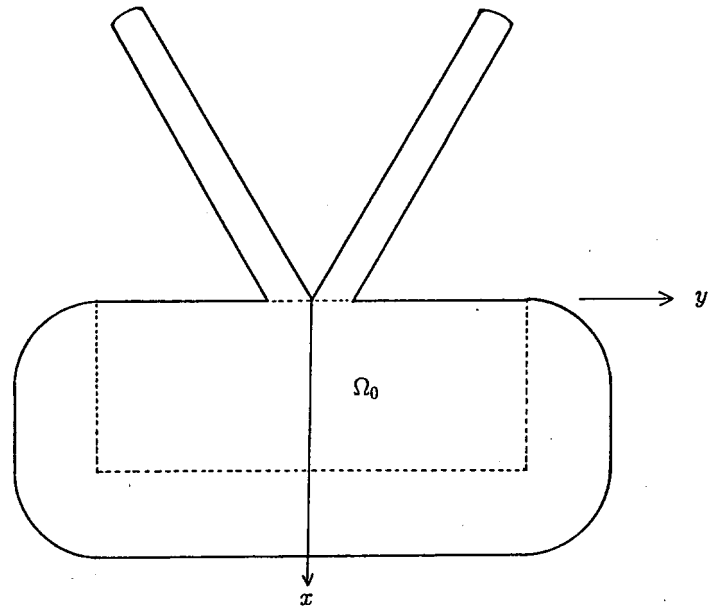


Figure 10a.

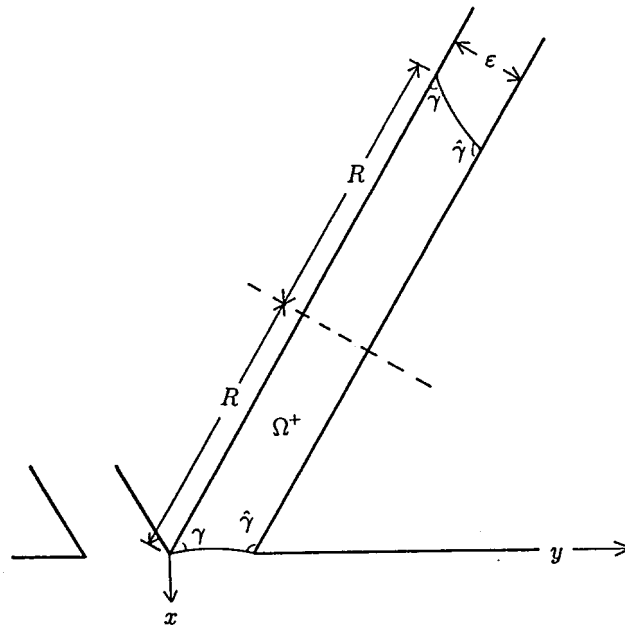


Figure 10b.

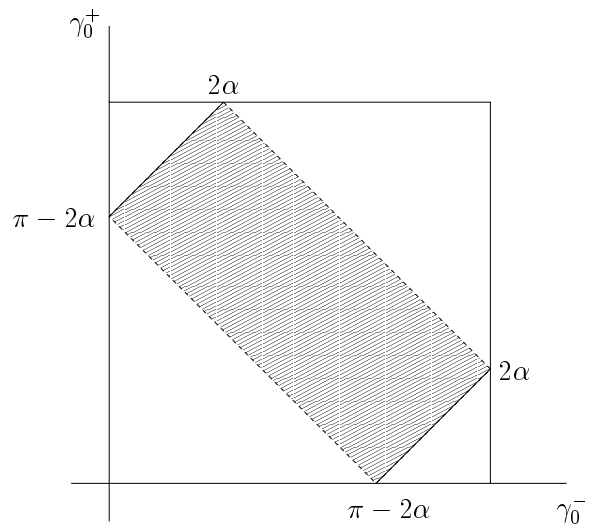


Figure 11.

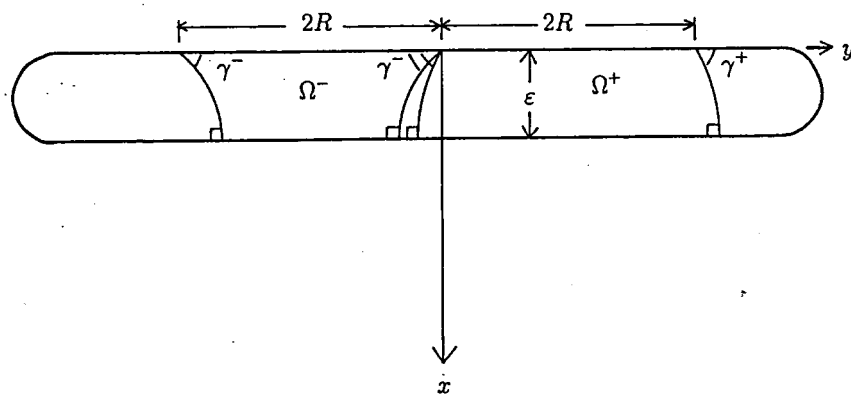


Figure 12.